

Bulls Eye Target Patch™ PRODUCT GUIDE

Contents

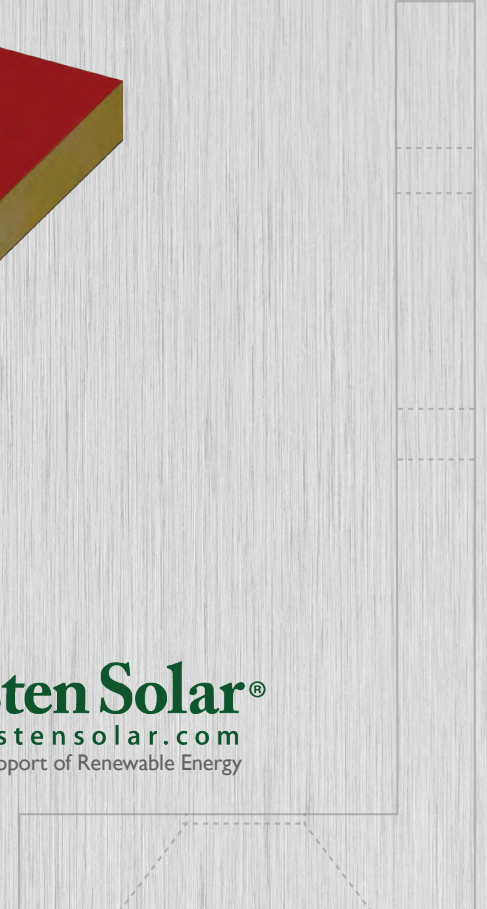
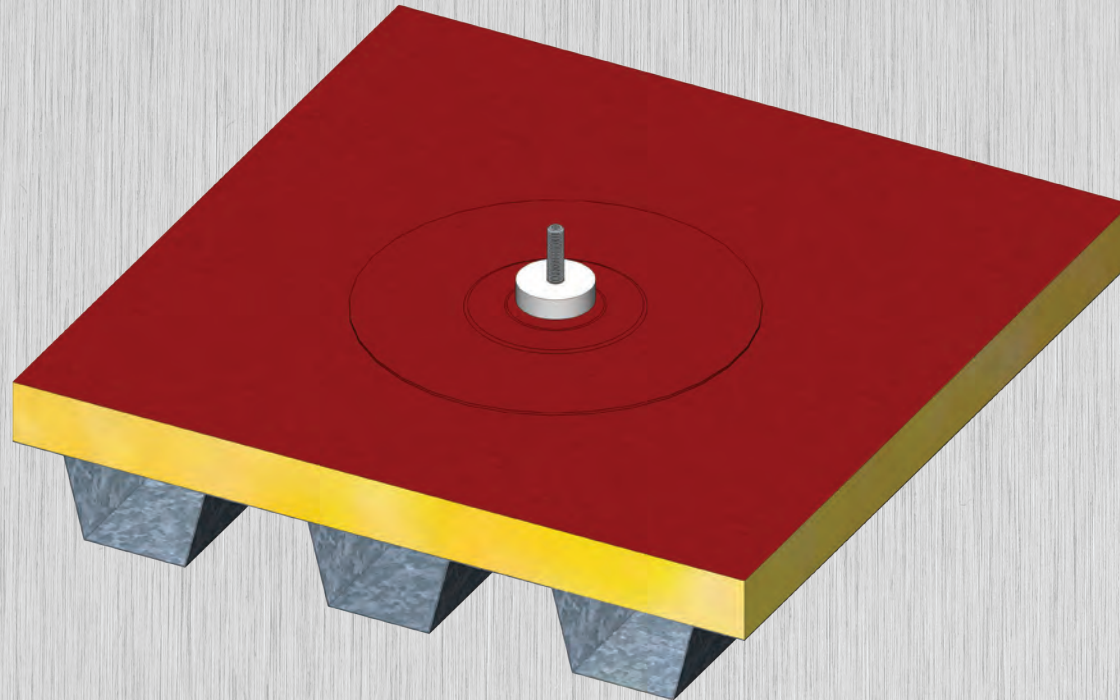
Exploded Product View – Sec. 1

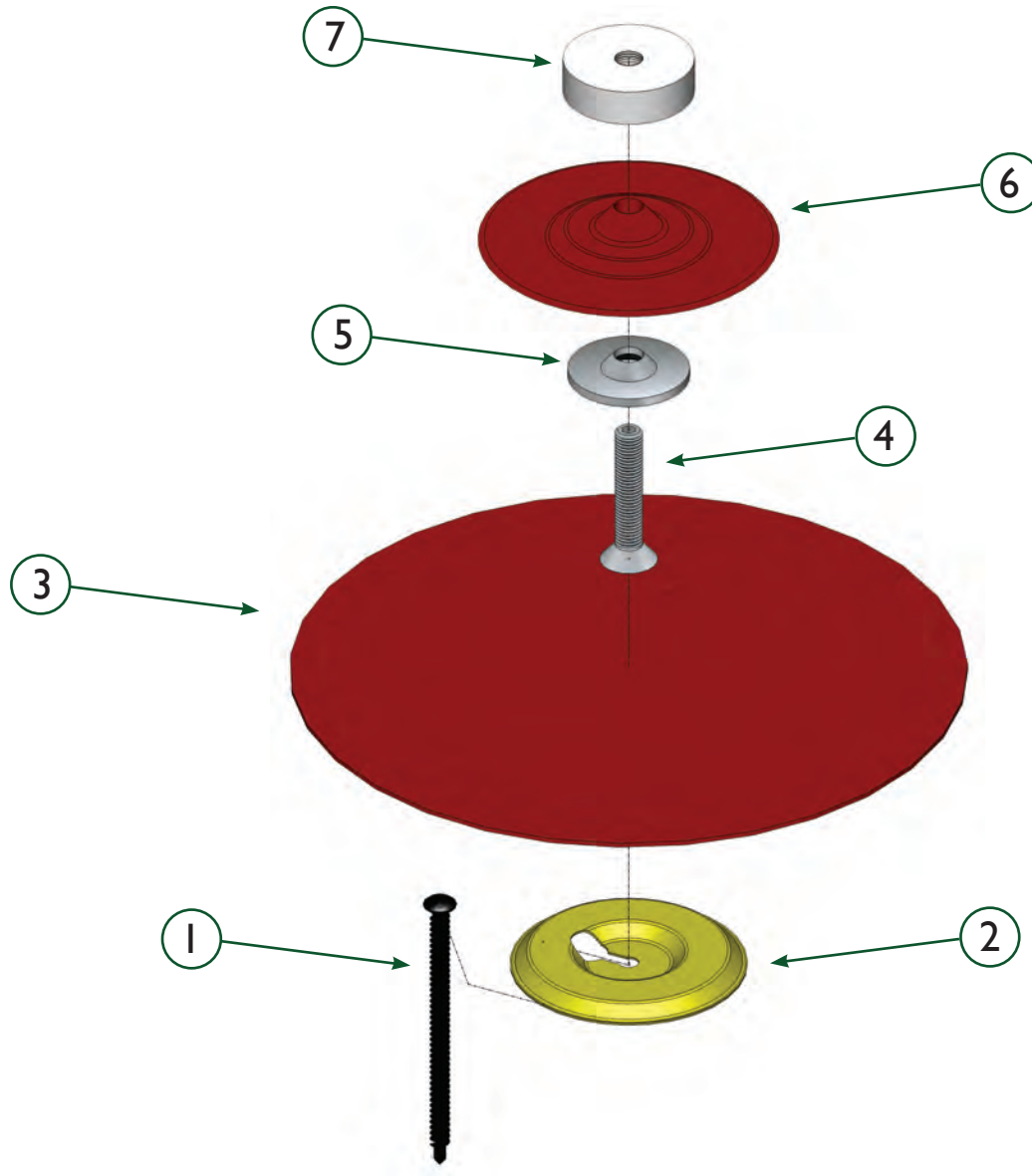
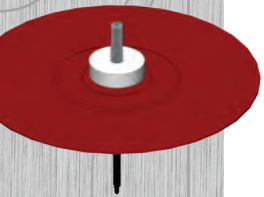
Installation Instructions – Sec. 2

Cutsheets – Sec. 3

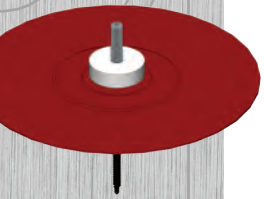
Specifications – Sec. 4

Testing – Sec. 5

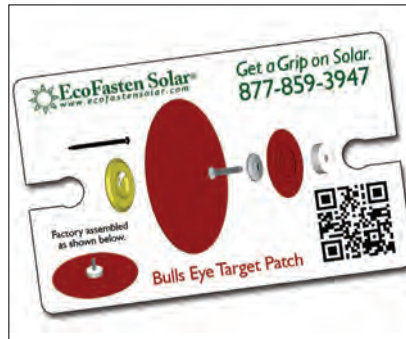




*Note: Numbers correspond with B.O.M, Sec. 3-1



1



2



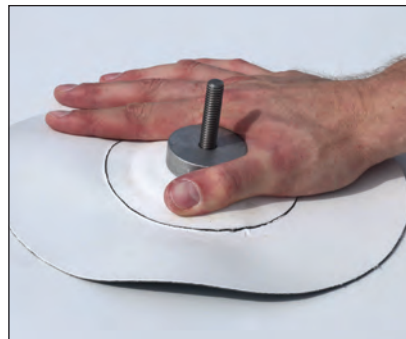
3



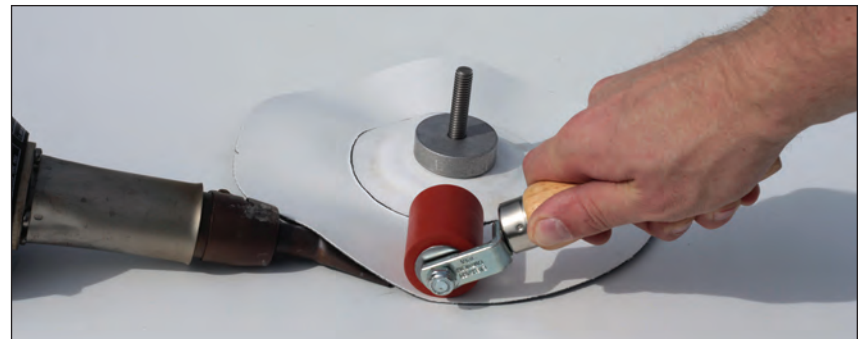
4



5



6



7

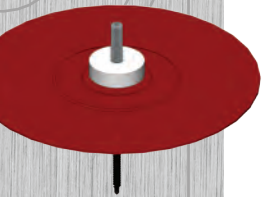
WARNING: The Bullseye Target Patch system should be installed by a technician who has been trained and certified on the roof system by the membrane manufacturer. It is possible to **VOID THE WARRANTY** of the roof if this product is installed incorrectly or the installation does not meet the membrane manufacturer's acceptance criteria. Check with the roof manufacturer and obtain written acceptance of the intended application prior to installation.

1. Determine and mark the location where the Bullseye Target Patch is to be installed. Prepare the surface of the membrane at each location following the recommendations of the manufacturer.
2. Using the provided screw head depth gauge*, install a recommended self-drilling fastener of a length appropriate to fully penetrate the roof assembly and engage the deck below. (The basis of our design is the OMG XHD fastener; please refer to the specification sheet at the end of this guide.) The gauge will provide a space between the head of the fastener and the surrounding roof membrane. This allows the key slot in the metal disc on the underside of the assembly to slide into place.

3. Locate the index mark on the perimeter of the larger membrane disk of the Bullseye Target Patch.
4. Line up the plate on the underside of the assembly with the fastener installed in step two.
5. Once the plate has engaged the fastener, slide the entire assembly towards the index mark to seat the fastener head in the slot.
6. When correctly in place the assembly will be centered over the head of the fastener.
7. Heat-weld the patch to the surrounding roof using tools and techniques appropriate to the membrane being used.

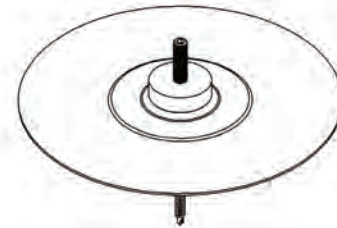
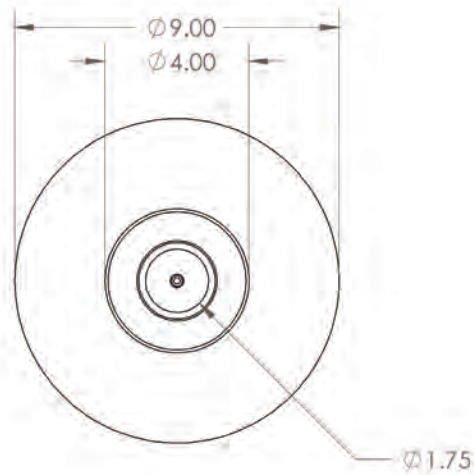
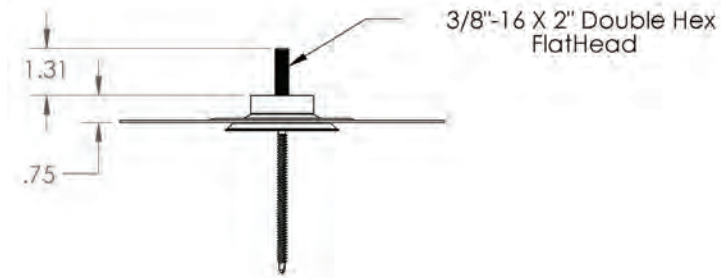
Note that all welds will be subject to approval by the membrane manufacturer's field service representative.

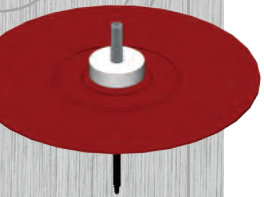
**Additional gauges are available free of charge from your distributor or by contacting EcoFasten Solar on our toll-free technical support line, 1-877-859-3947*



EcoFasten Solar

EcoFasten Solar® 877-859-3947 Committed to the Support of Renewable Energy

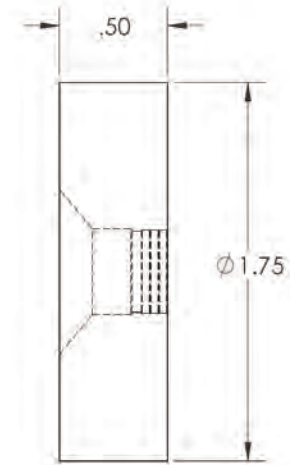
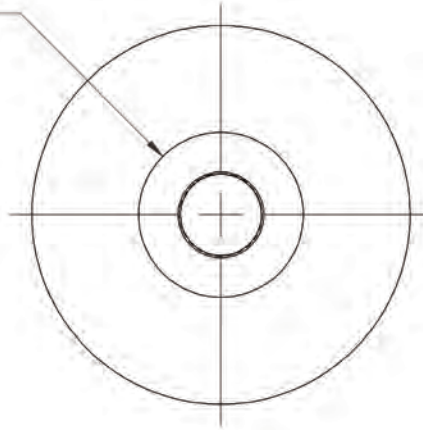


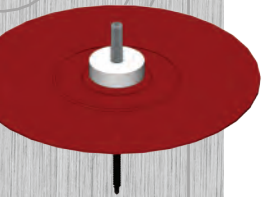


EcoFasten Solar

EcoFasten Solar® 877-859-3947 Committed to the Support of Renewable Energy

$\varnothing .40^{+.00}_{-.00} \nabla .33$
 $\checkmark \varnothing .76 \times 100^\circ$





PART 1 – GENERAL

1.1 SUMMARY

- A. WORK INCLUDES
 1. Bulls Eye Target patch that attaches directly to the roof.
 2. Provide appropriate bracket and fasteners for the roof system.
- B. RELATED SECTIONS
 1. Section 07600: Flashing and Sheet Metal
 2. Section 07500: Roofing
 3. Section 07710: Roof Specialties
 4. Division 1: Administrative and procedural requirements
 5. Division 7: Thermal and Moisture Protection.

1.2 SYSTEM DESCRIPTION

- A. COMPONENTS:
 1. Bulls Eye Target Patch assembly
 2. Fasteners
 - A. To be of metal compatible with roof and this application.
 - B. Fasteners should be selected for compatibility with the roof deck.
 - C. Fastener strength should have a minimum of 500 pounds pull out. See test data at www.ecofastensolar.com
 3. Sealant (if required by roof manufacturer): to be roof manufacturer approved.
- B. DESIGN REQUIREMENTS:
 1. Bulls Eye Target Patch spacing to be recommended by project designer or building engineer.
 2. Install fasteners as per designer's instruction and product type. It is important to design new structures or assess existing structures to make sure that they can withstand any added loads.

1.3 SUBMITTAL

- A. Submit manufacturer's written specifications.
- B. Submit standard product cut sheets.
- C. Submit installation instructions.
- D. Submit product specific load test data, showing ultimate and allowable load values specific to the roof deck specified for the project.

1.4 QUALITY ASSURANCE

Installer to be experienced in the installation of specified roofing material for no less than 5 years in the area of the project.

1.5 DELIVERY / STORAGE / HANDLING

Inspect material upon delivery. Notify manufacturer within 24 hours of any missing or defective items. Keep material dry, covered, and off the ground until installed.

PART 2 - PRODUCTS

2.1 MANUFACTURER

EcoFasten Solar®
289 Harrel St. Morrisville, VT. 05661
(877) 859-3947
www.ecofastensolar.com

2.2- MATERIALS

- A. Bulls Eye Target Patch
 1. CP-R - 6000 Series Aluminum
 2. Target patch membrane (choose one)
 - a. TPO
 - b. PVC
 3. Attachment stud - 302 or 304 stainless steel
 4. Internal compression disk - 6000 Series Aluminum
 5. Roof Attachment Disk - RhinoBond plate by OMG

- B. Fasteners (can be purchased from others) to be compatible with chosen roof application and meet specified pull out values as shown in load test data.

2.3 FINISH – Mill Finish

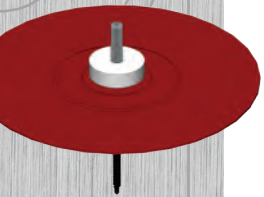
PART 3 - EXECUTION

3.1 EXAMINATION

- A. Substrate: Inspect structure on which system is to be installed and verify that it will withstand any additional loading that may be incurred.
- B. Notify General Contractor of any deficiencies before installing EcoFasten Solar brackets.
- C. Verify that roofing material has been installed correctly prior to installing Bulls Eye Target Patch.

3.2 INSTALLATION

- A. Comply with architectural drawings and project engineer's recommendations for location of system. Comply with Manufacturer's written installation instructions for installation and layout.



Testing

The Bulls Eye Target Patch is our newest product release for solar panel installation on membrane roofs. Testing for the Bulls Eye Target Patch is currently underway. Please contact us by calling 877-859-3947 toll free if you have any product specific questions. We will be happy to provide you with all information available to us at the present time.

EcoFasten Solar

EcoFasten Solar® 877-859-3947 Committed to the Support of Renewable Energy