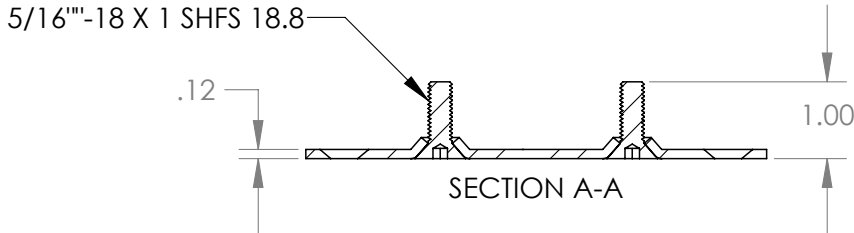
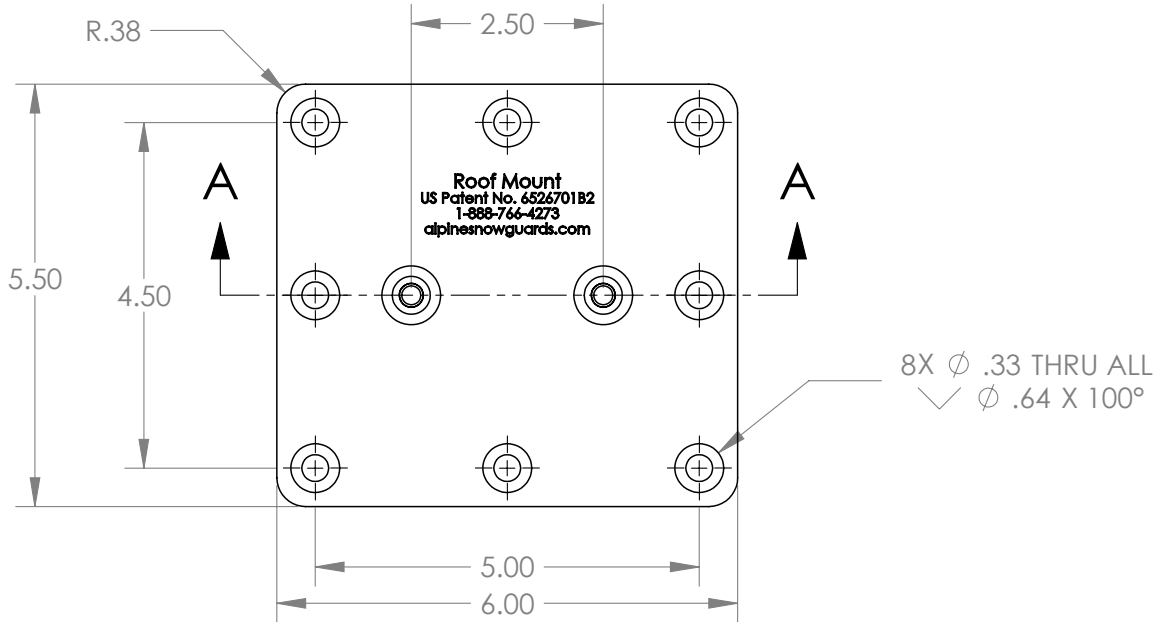
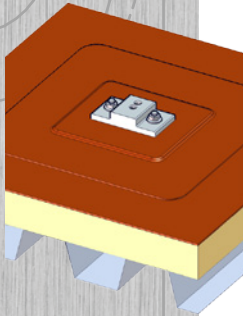


EcoFasten Solar

Committed to the Support of Renewable Energy

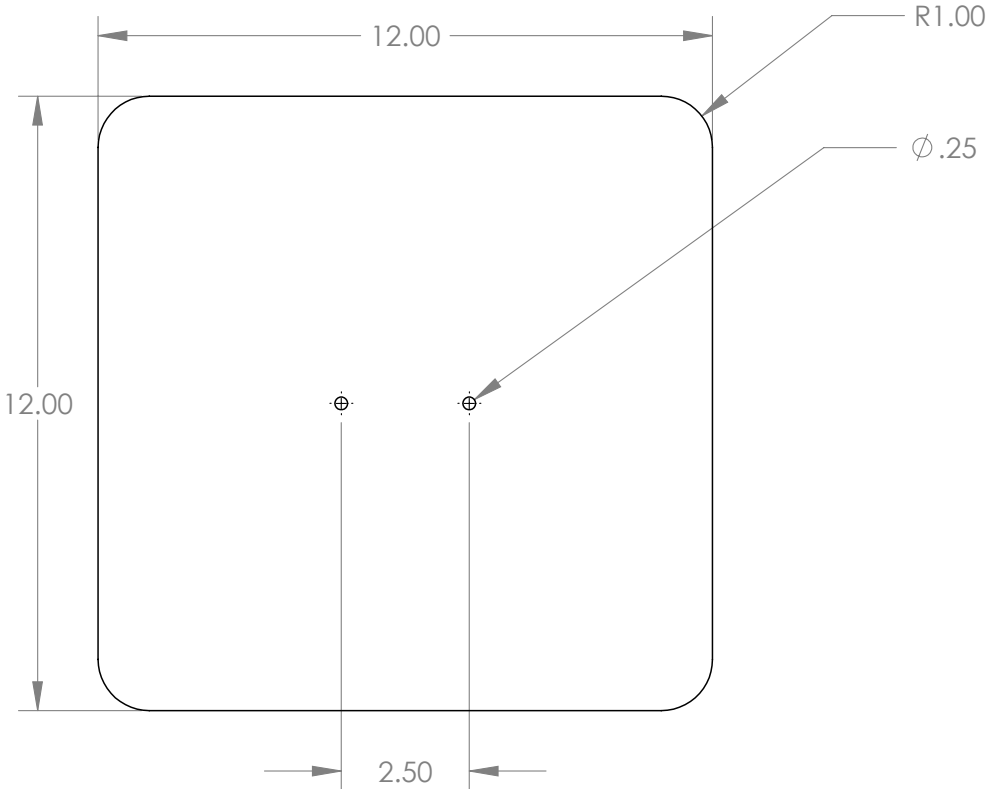


1. Installation to be completed in accordance with manufacturers specifications.
2. Do not scale drawings.
3. Contact manufacturer for detailed layout.

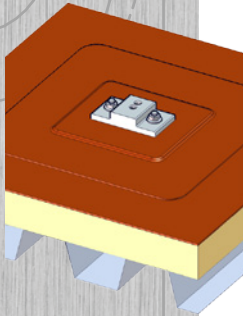


EcoFasten Solar

EcoFasten Solar® 877-859-3947 Committed to the Support of Renewable Energy



\*May be provided by others. See page 6 for "Hole Template" for field fabrication of target patch.



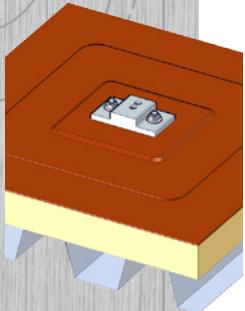
EcoFasten Solar

EcoFasten Solar® 877-859-3947 Committed to the Support of Renewable Energy

### Flashing Hole Template Pattern

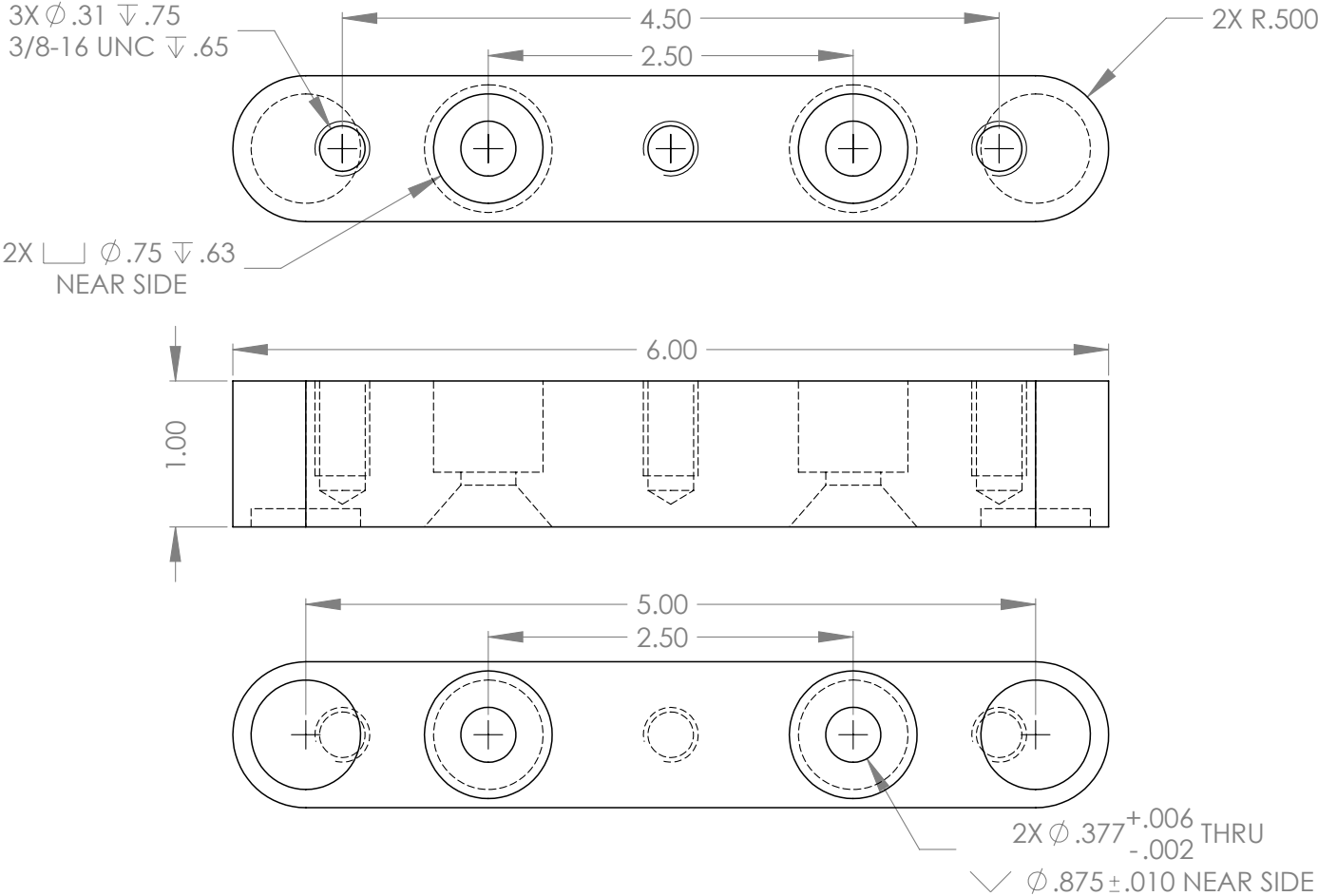


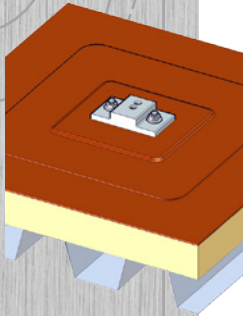
Cut Flashing to 12" x 12"



EcoFasten Solar

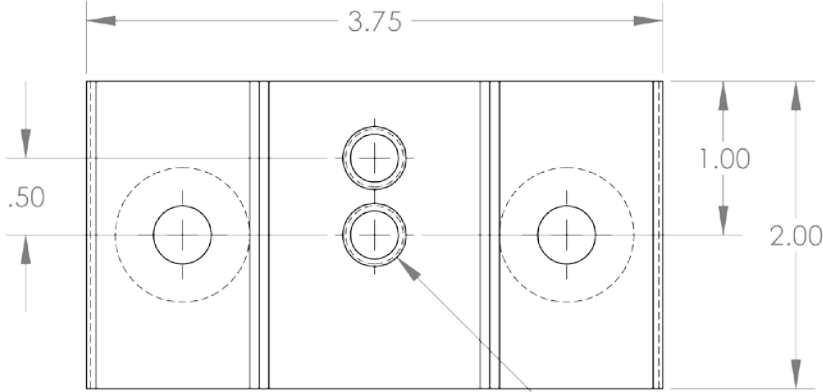
EcoFasten Solar® 877-859-3947 Committed to the Support of Renewable Energy



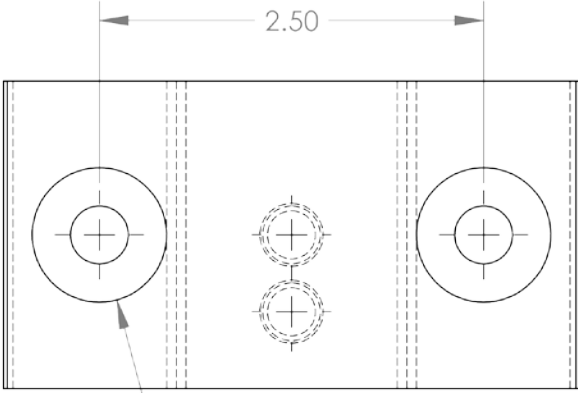
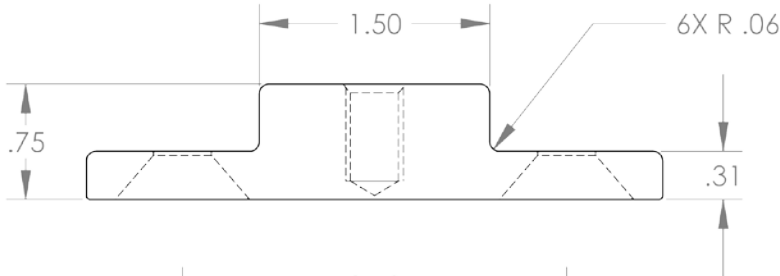


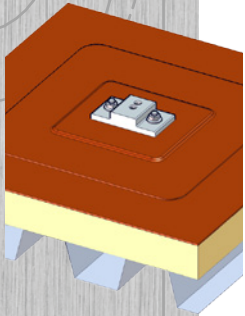
EcoFasten Solar

EcoFasten Solar® 877-859-3947 Committed to the Support of Renewable Energy



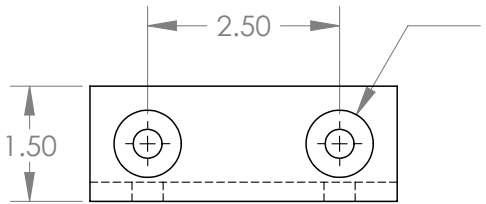
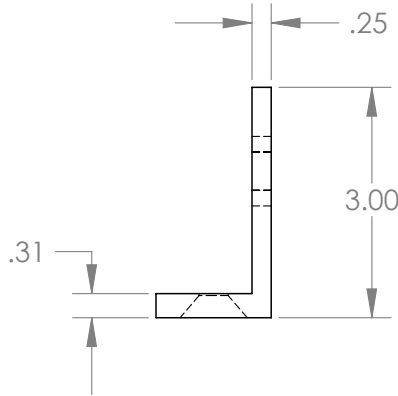
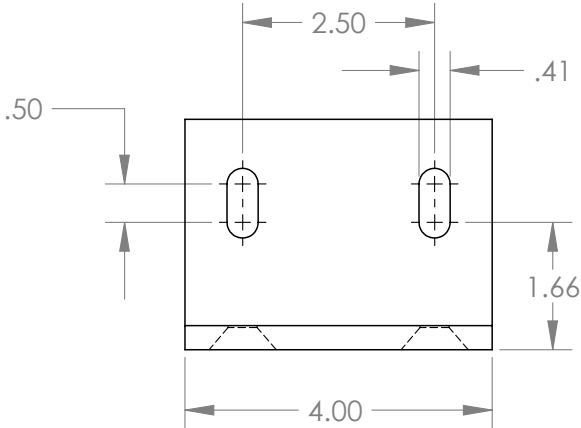
3/8-16 UNC  $\nabla$  .63 W/Modified Bottoming Tap  
 $\sphericalangle$   $\phi$  .41 X 82°, NEAR SIDE



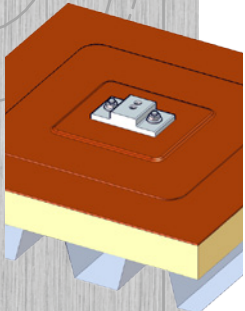


EcoFasten Solar

EcoFasten Solar® 877-859-3947 Committed to the Support of Renewable Energy

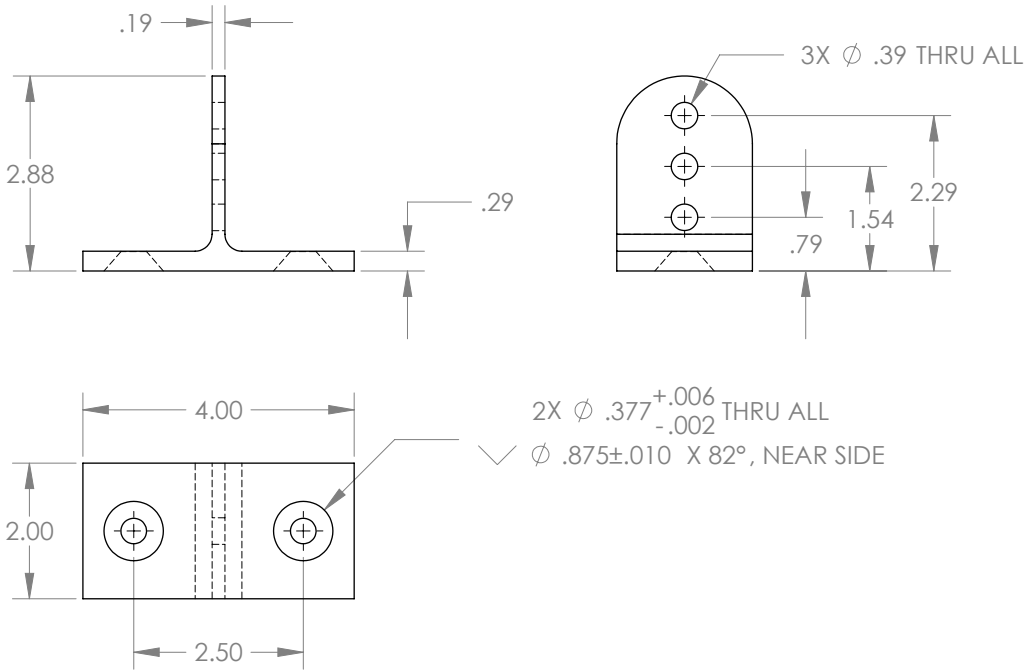


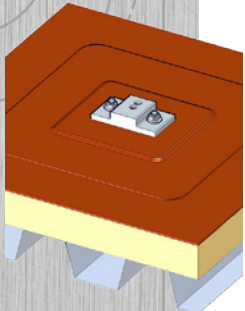
2X  $\phi .377^{+.006}_{-.002}$  THRU ALL  
 $\phi .875 \pm .010$  X 82°, NEAR SIDE



EcoFasten Solar

EcoFasten Solar® 877-859-3947 Committed to the Support of Renewable Energy





# EcoFasten Solar

EcoFasten Solar® 877-859-3947 Committed to the Support of Renewable Energy

