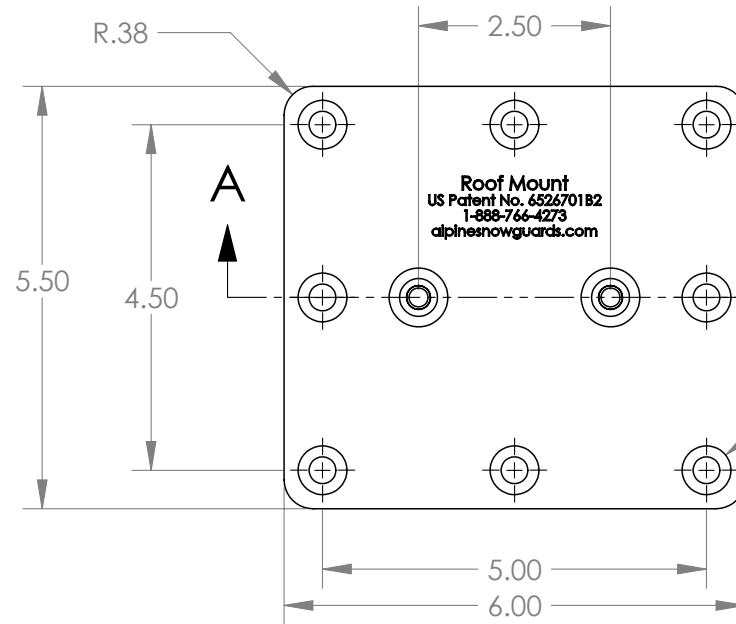


EcoFasten Solar

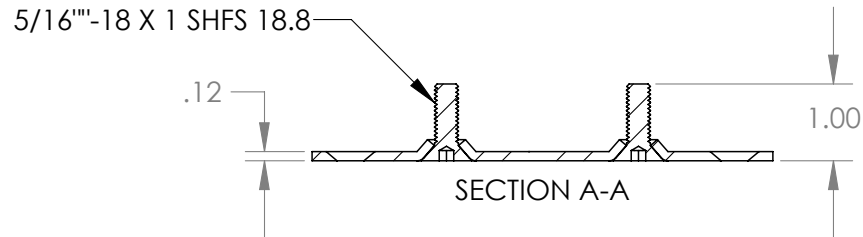
EcoFasten Solar® 877-859-3947 Committed to the Support of Renewable Energy

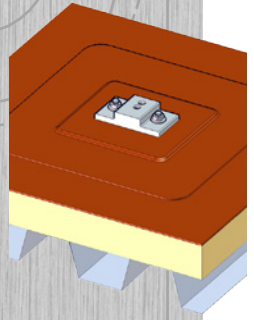


**Notes:**

1. Installation to be completed in accordance with manufacturer's specifications.
2. Do not scale drawings.
3. Contact manufacturer for detailed layout.

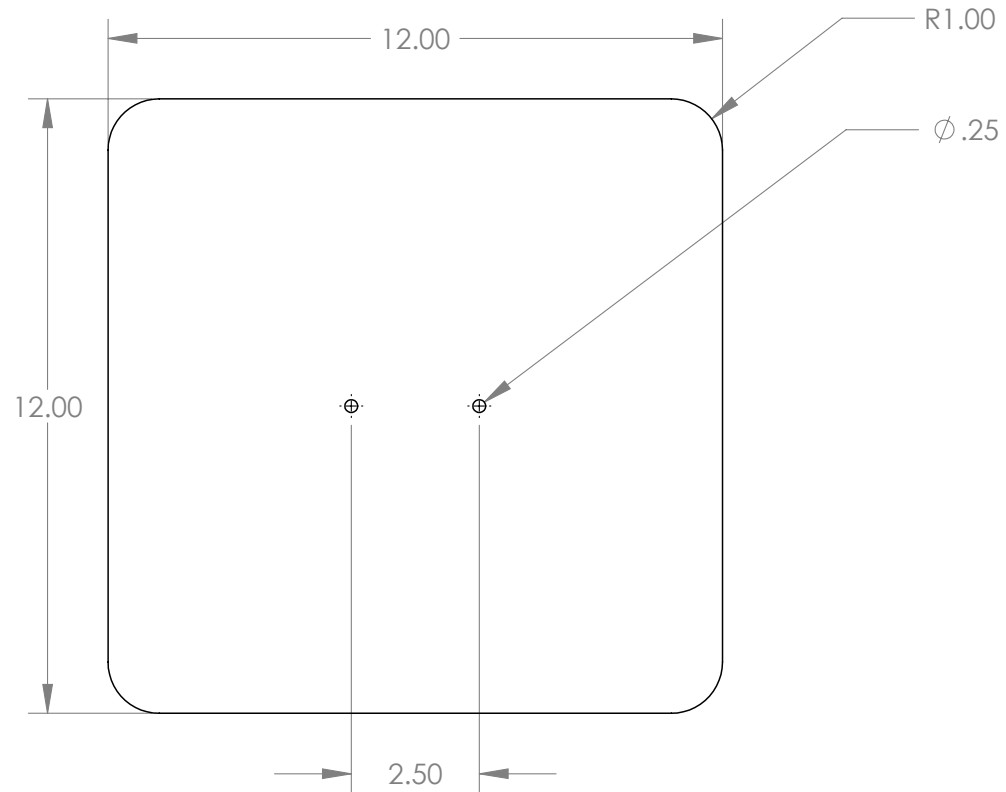
8X  $\phi$  .33 THRU ALL  
 $\sphericalangle$   $\phi$  .64 X 100°



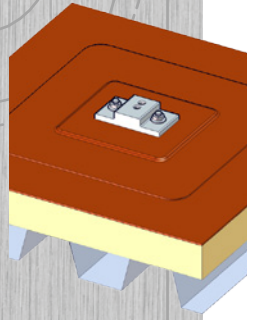


EcoFasten Solar

EcoFasten Solar® 877-859-3947 Committed to the Support of Renewable Energy



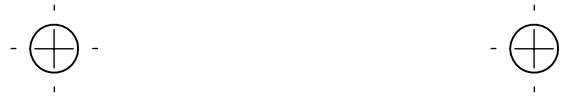
\* May be provided by others.  
See page 6 for "Hole Template"  
for field fabrication of target patch.



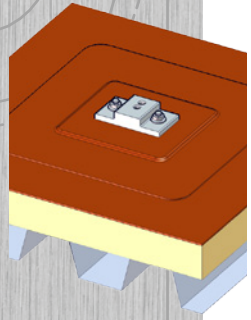
EcoFasten Solar

EcoFasten Solar® 877-859-3947 Committed to the Support of Renewable Energy

### Flashing Hole Template Pattern

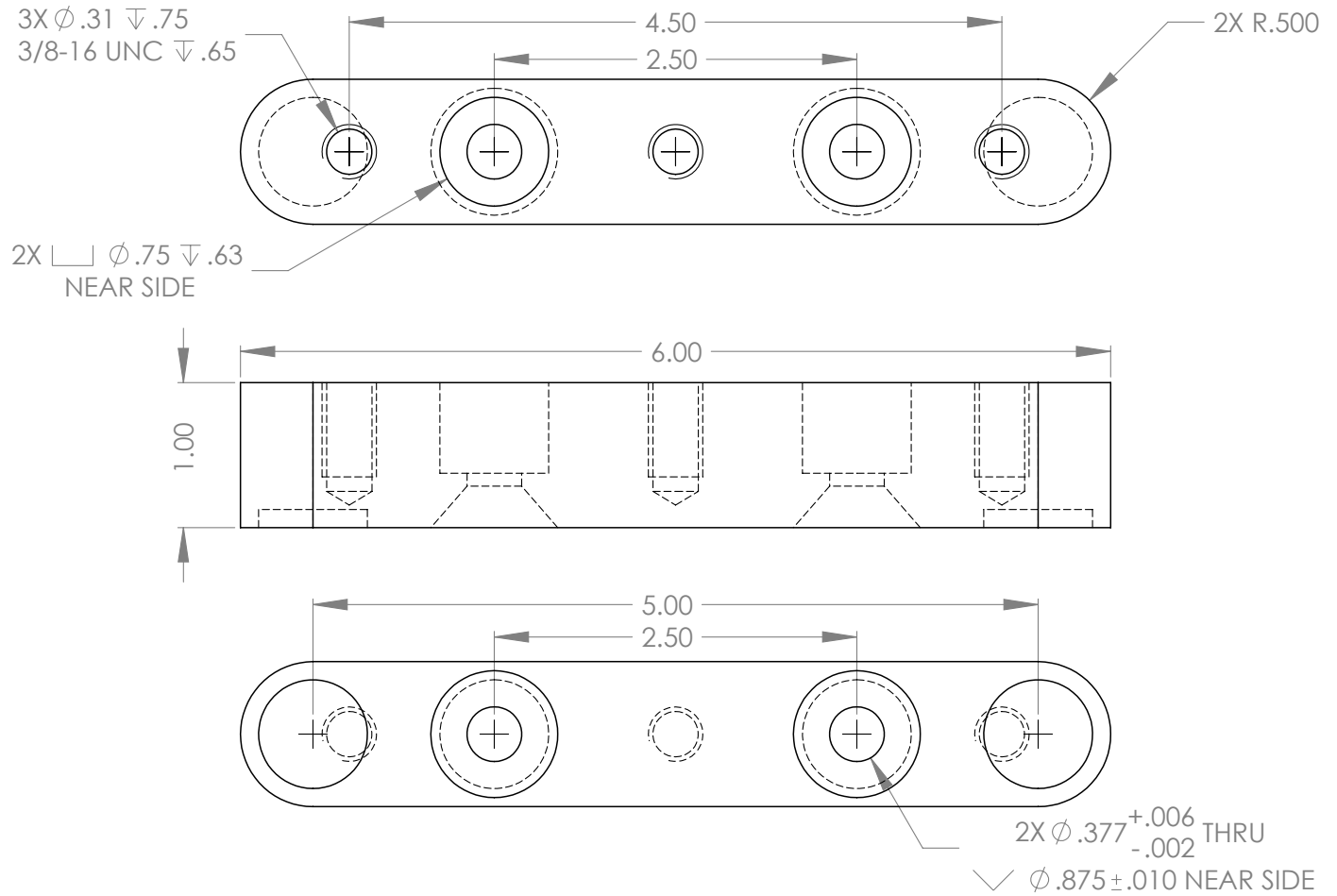


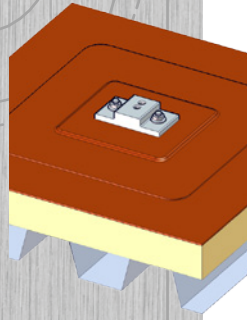
Cut Flashing to 12" x 12"



EcoFasten Solar

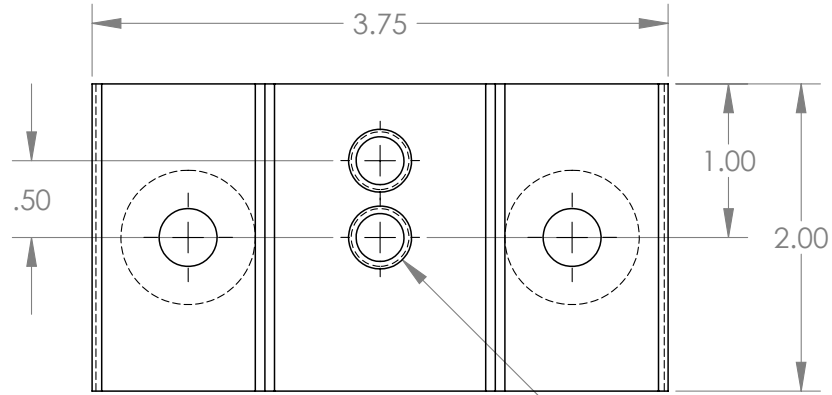
EcoFasten Solar® 877-859-3947 Committed to the Support of Renewable Energy



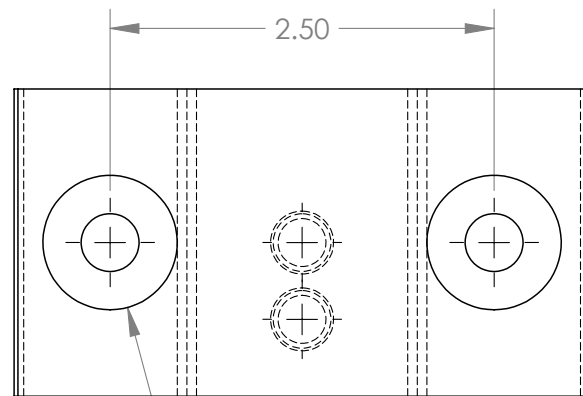
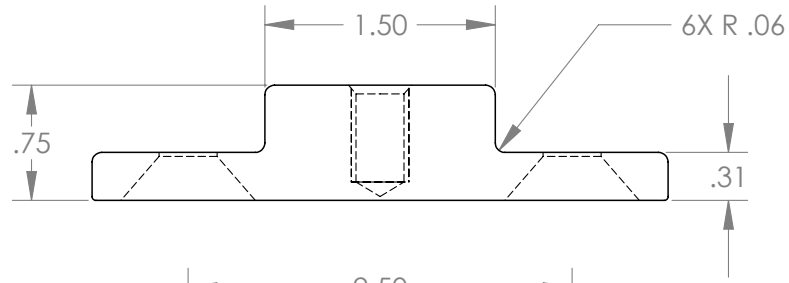


EcoFasten Solar

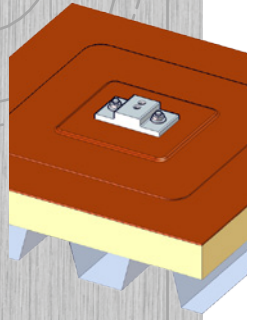
EcoFasten Solar® 877-859-3947 Committed to the Support of Renewable Energy



3/8-16 UNC  $\nabla$  .63 W/Modified Bottoming Tap  
 $\surd$   $\phi$  .41 X 82°, NEAR SIDE

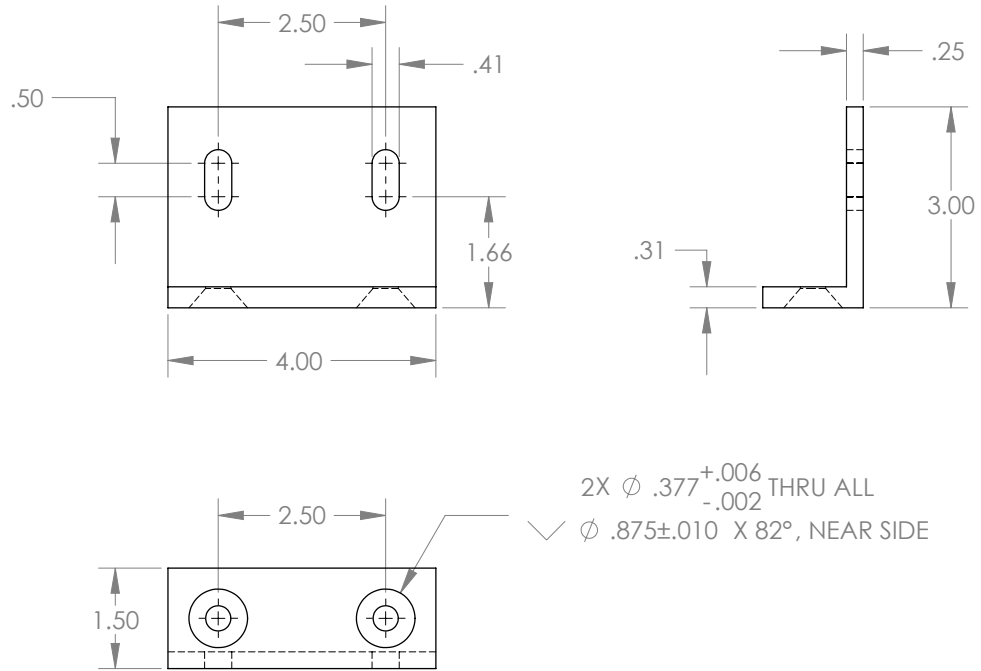


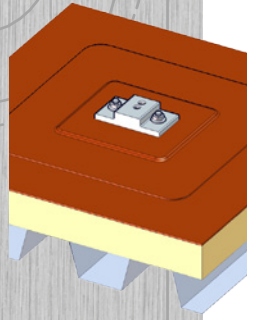
2X  $\phi$  .377<sup>+.006</sup>/<sub>-.002</sub> THRU ALL  
 $\surd$   $\phi$  .875 $\pm$ .010 X 82°, NEAR SIDE



EcoFasten Solar

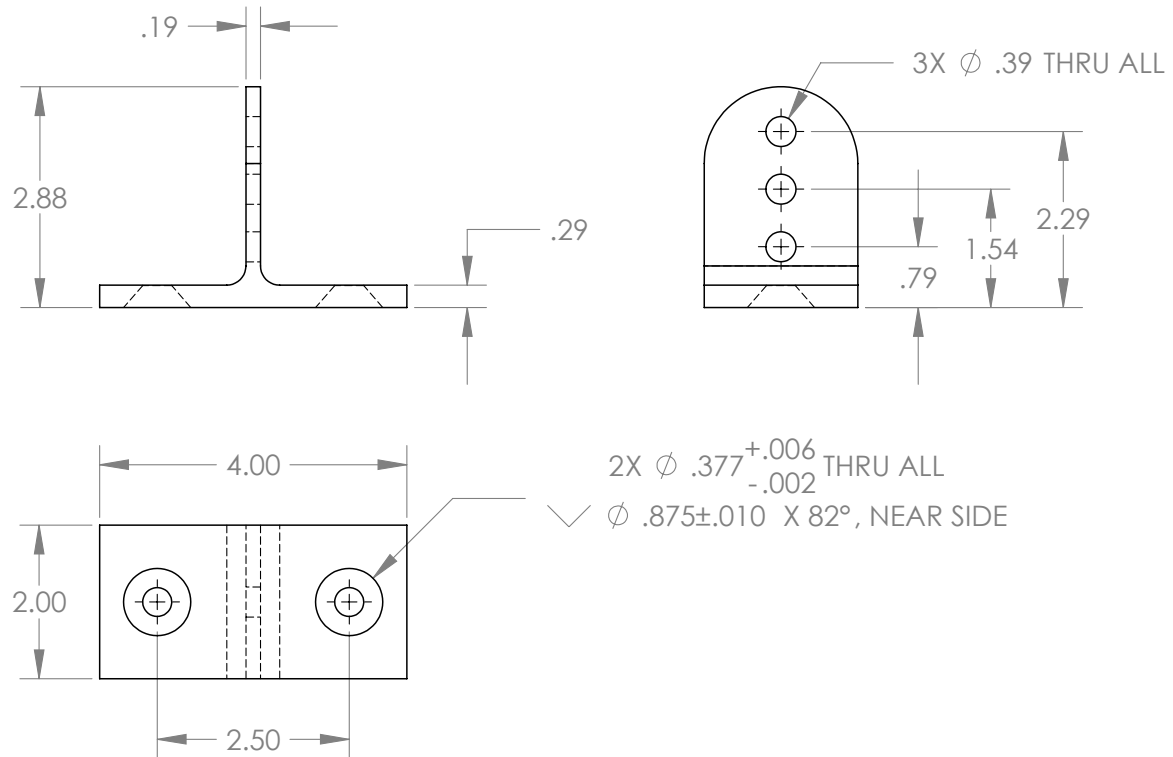
EcoFasten Solar® 877-859-3947 Committed to the Support of Renewable Energy

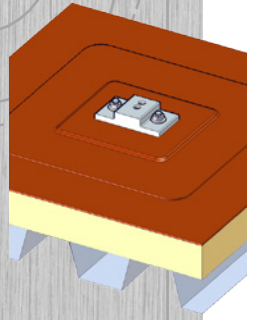




EcoFasten Solar

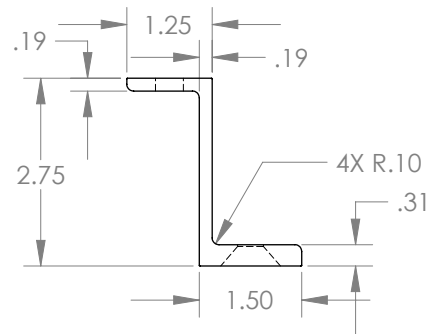
EcoFasten Solar® 877-859-3947 Committed to the Support of Renewable Energy





EcoFasten Solar

EcoFasten Solar® 877-859-3947 Committed to the Support of Renewable Energy



2X  $\phi .377^{+.006}_{-.002}$  THRU ALL  
 $\checkmark \phi .875 \pm .010 \times 82^\circ$ , NEAR SIDE

