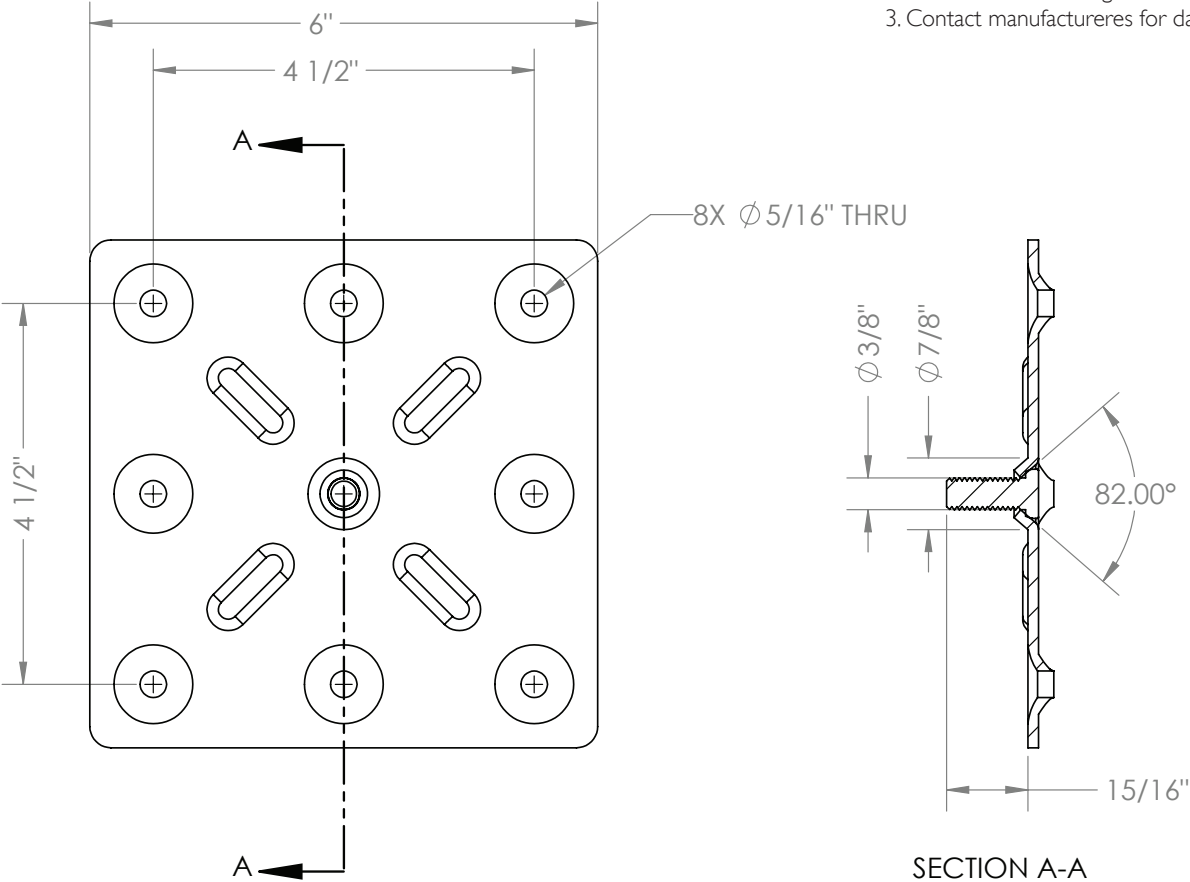
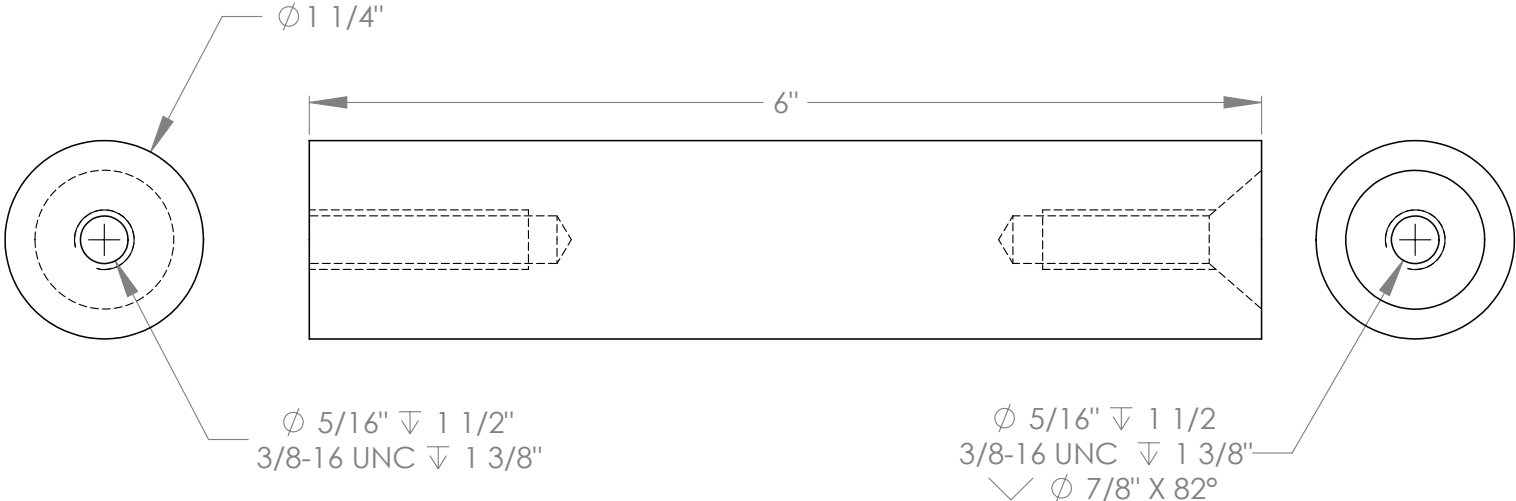
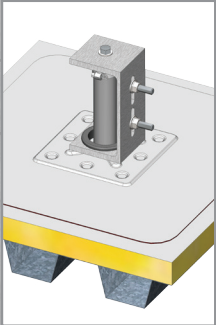


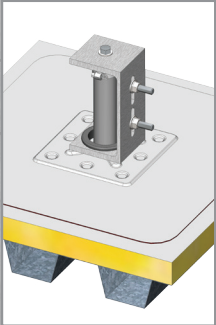
EcoFasten Solar

- Notes:**
- 1. Installation to be completed in accordance with manufacturer's specifications.
 - 2. Do not scale drawings
 - 3. Contact manufactureres for dailed layout

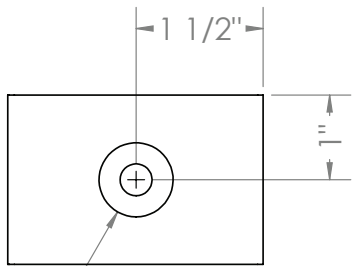
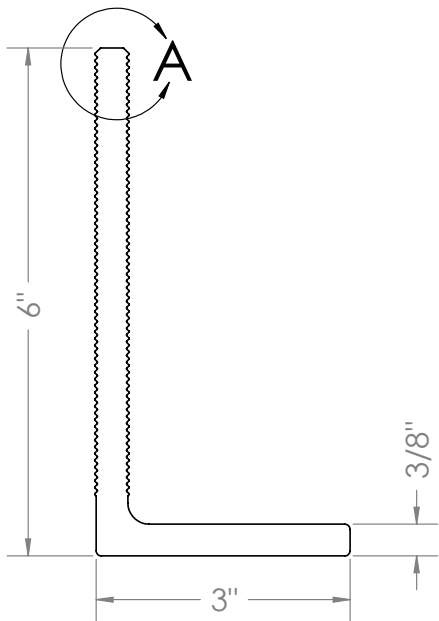




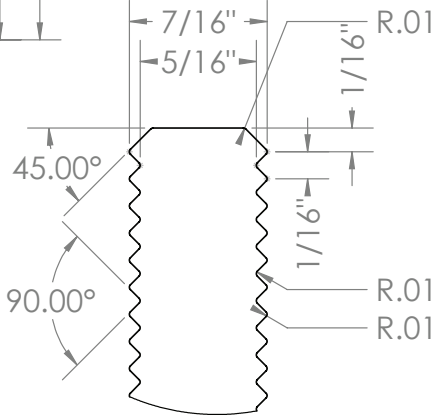
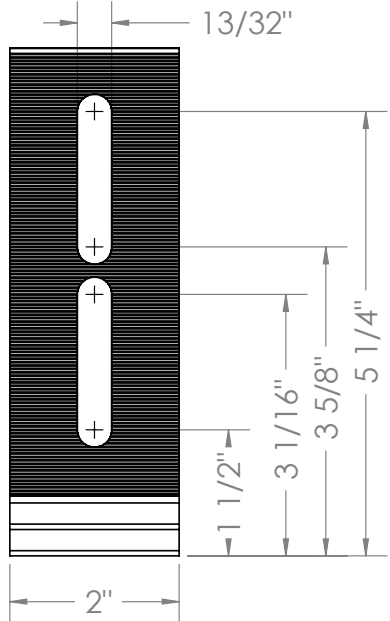
EcoFasten Solar



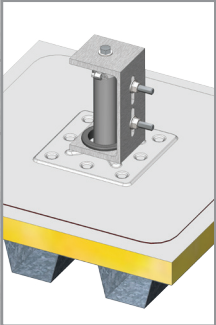
EcoFasten Solar



$\phi 3/8^{+.01}_{-.00}$ THRU ALL
 $\checkmark \phi 7/8^{(\pm.01)} \times 82^\circ$, NEAR SIDE



DETAIL A
SCALE 2 : 1



EcoFasten Solar

