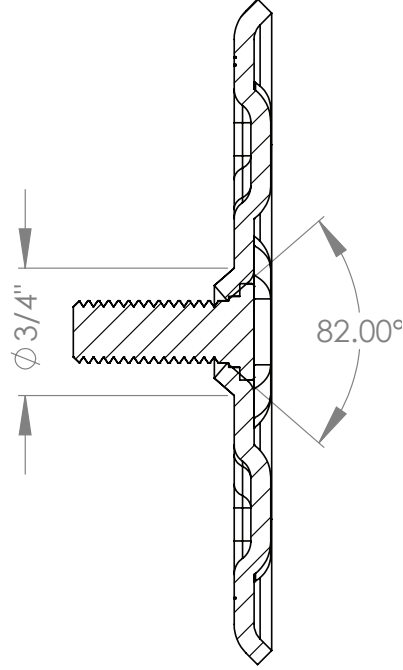
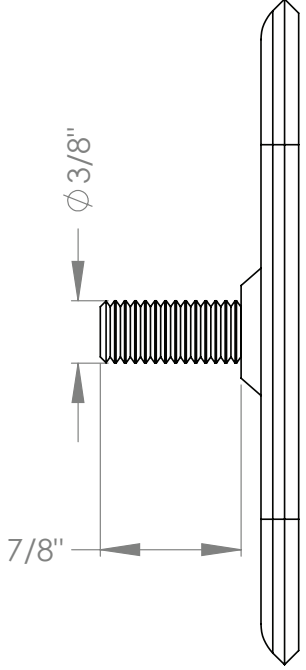
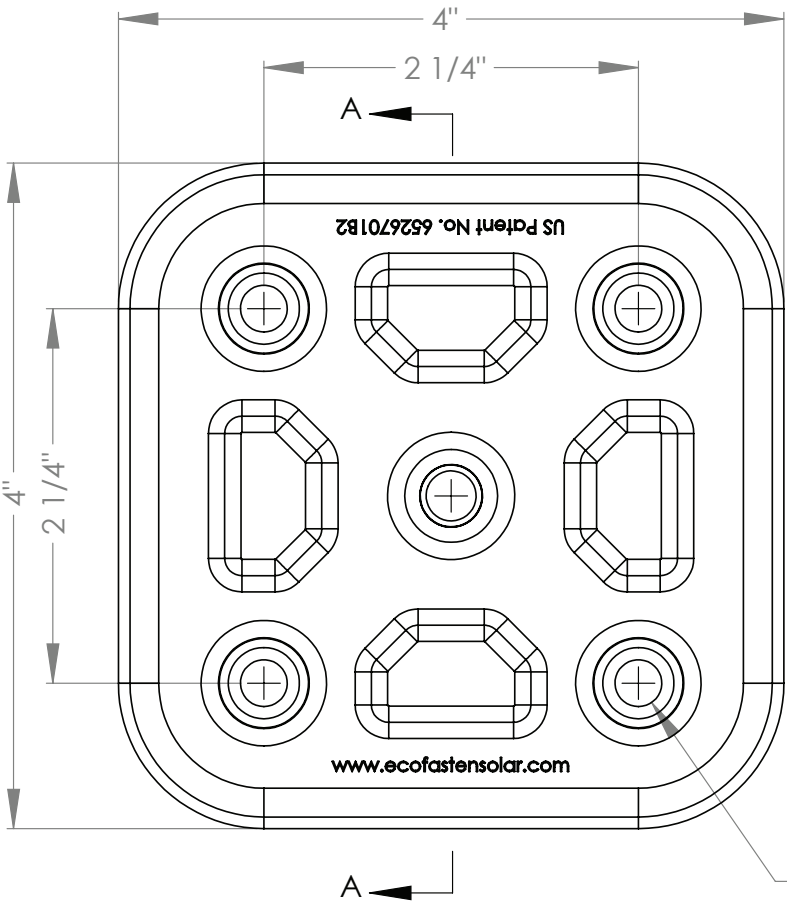
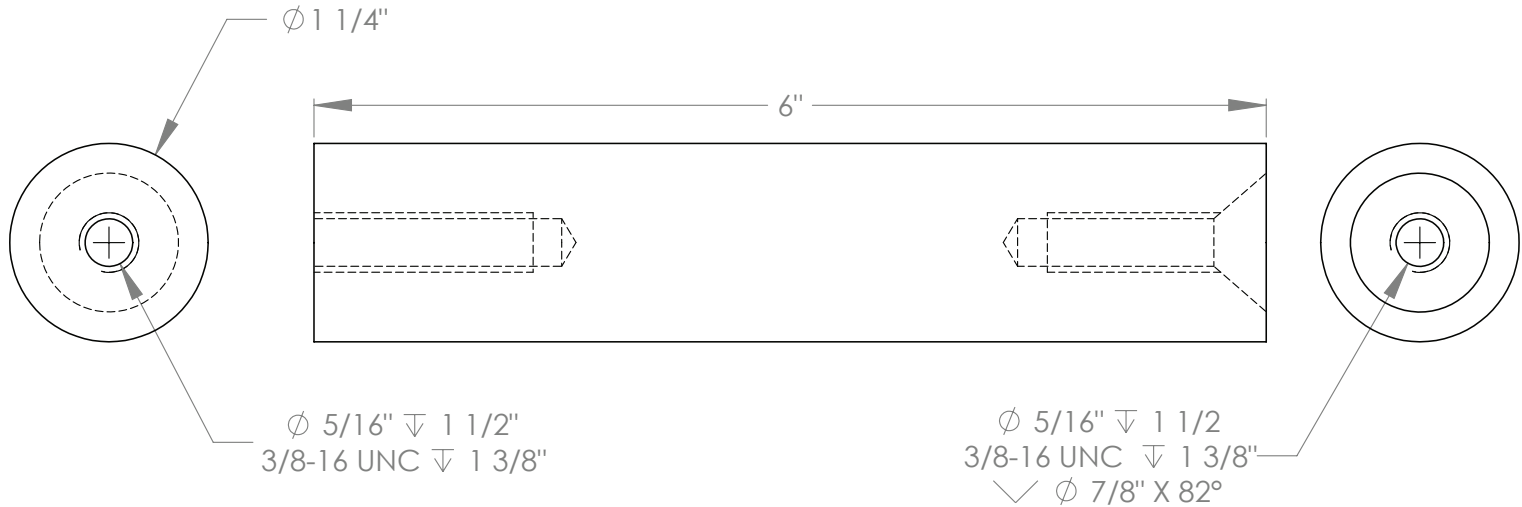
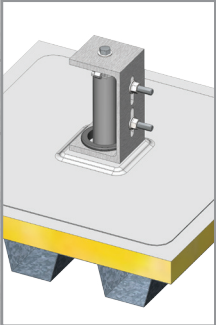


EcoFasten Solar

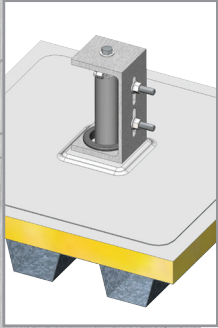


4 x $\phi 5/16"$ THRU

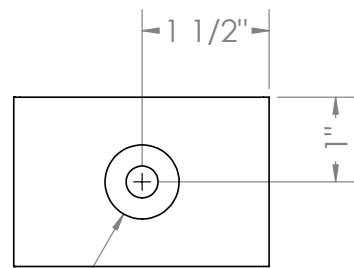
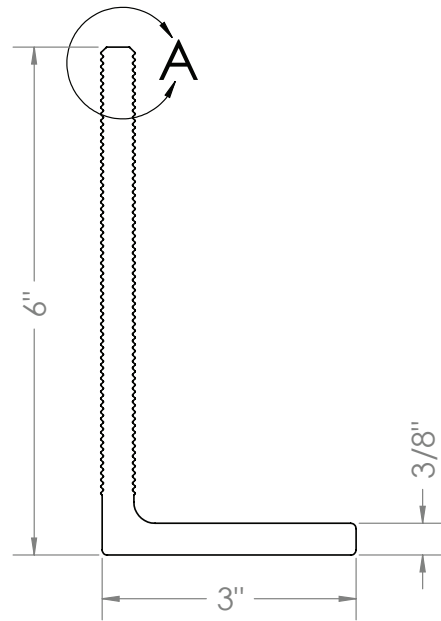
SECTION A-A
SCALE 1 : 1



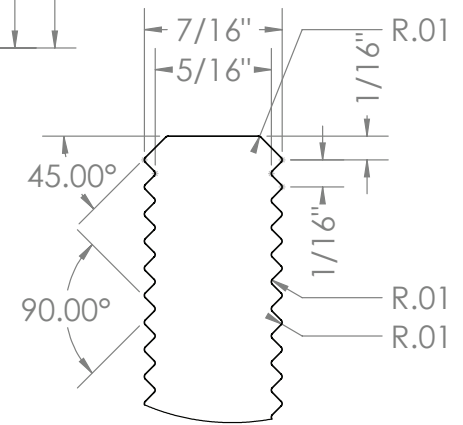
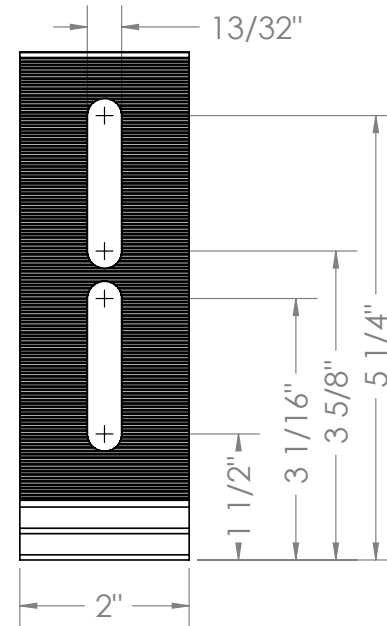
EcoFasten Solar



EcoFasten Solar



$\phi 3/8^{+.01}_{-.00}$ THRU ALL
 $\checkmark \phi 7/8^{(\pm.01)} \times 82^\circ$, NEAR SIDE



DETAIL A
SCALE 2 : 1

