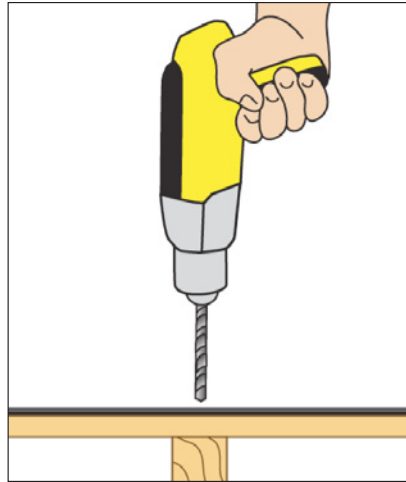
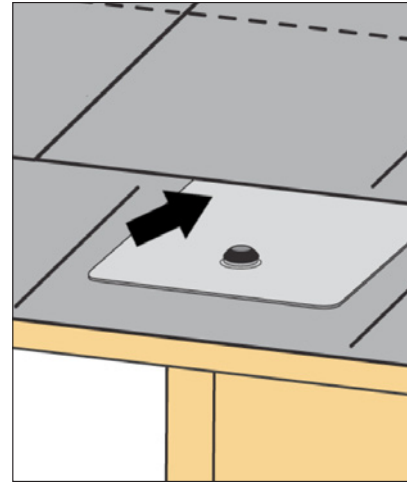


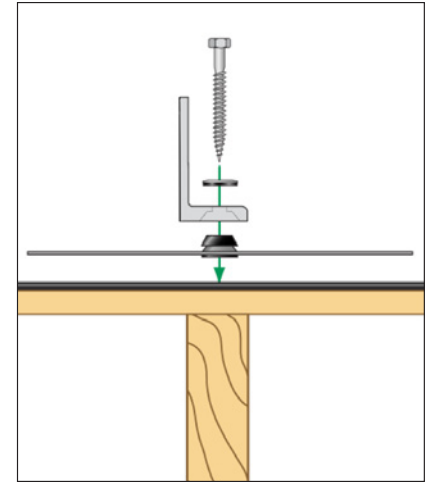
1



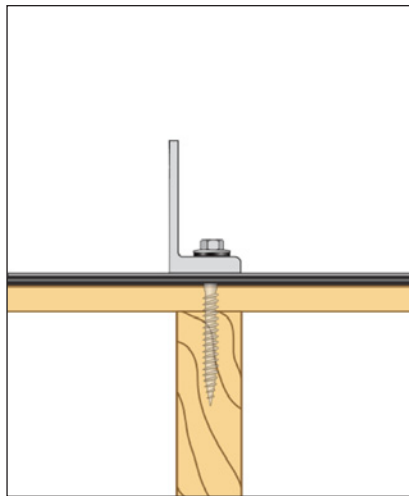
2



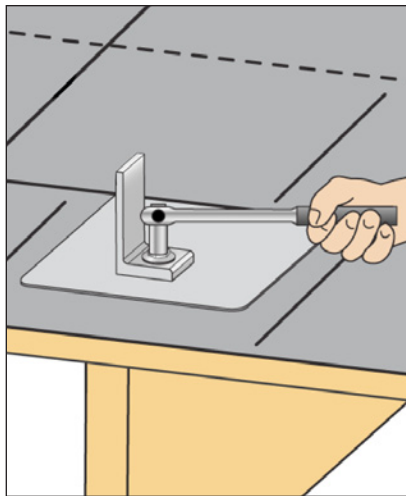
3



4



5



6

Instructions

* For detailed product illustration see previous page, for required tools see next page.

1. Locate the rafters and snap horizontal and vertical lines to mark the installation position for each GreenFasten Flashing.
2. Drill a pilot hole (1/4" diameter) for the lag bolt. Backfill with sealant.*
3. Insert the flashing so the top part is under the next row of shingles and pushed far enough up slope to prevent water infiltration through vertical joint in shingles.
4. Line up pilot hole with GreenFasten hole.
5. Insert the lag bolt through the EPDM washer; the top compression component (L-Bracket pictured) and the gasketed hole in the flashing and into the rafter.
6. Torque to 140 inch-pounds

Consult an engineer or go to www.ecofastensolar.com for engineering data.

*EcoFasten recommends Geocel 2300