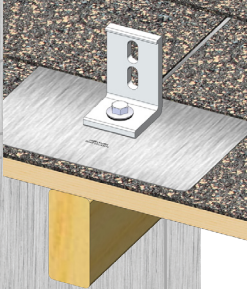
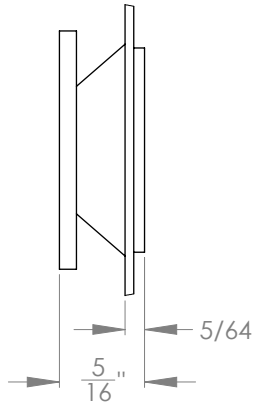
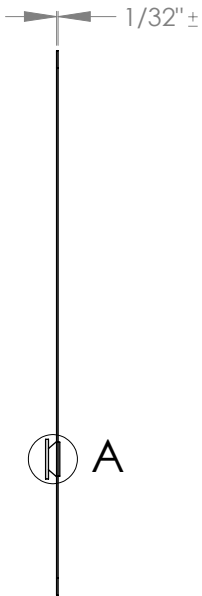
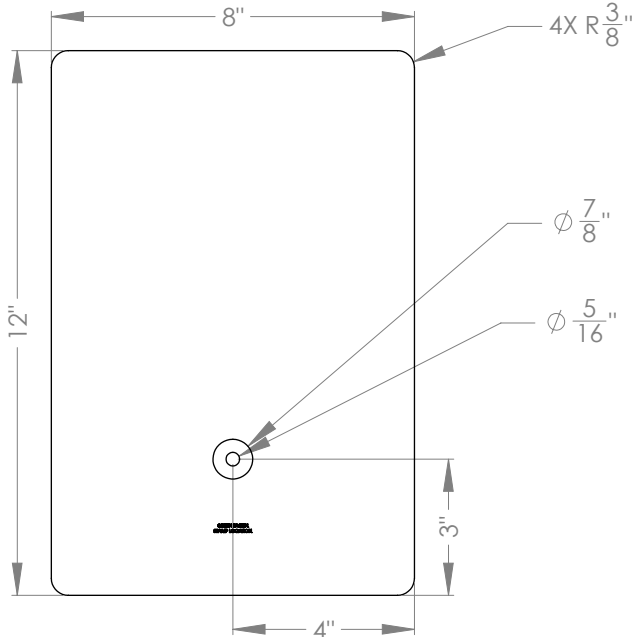


SECTION A-A

EcoFasten Solar



# EcoFasten Solar

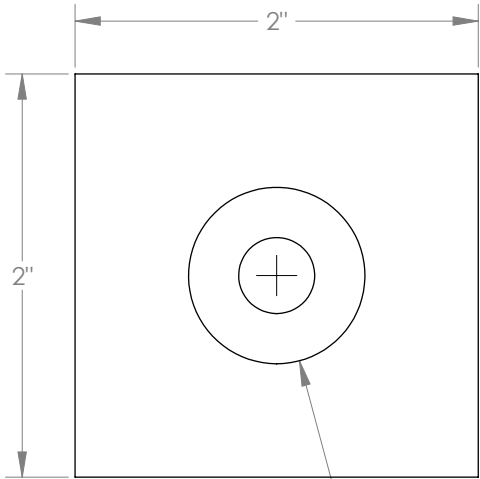
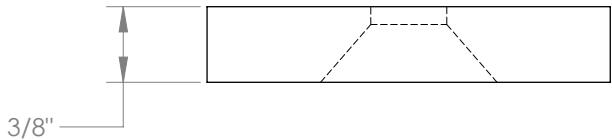


DETAIL A  
SCALE: 2:1

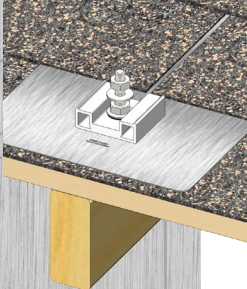
Finish Options  
 BLK = Matte Black  
 MLL = Mill Finish



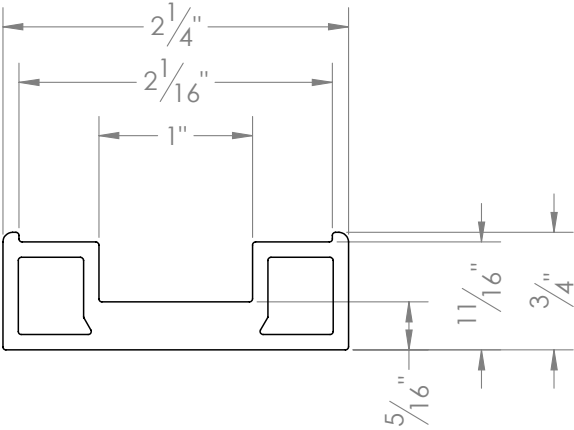
EcoFasten Solar



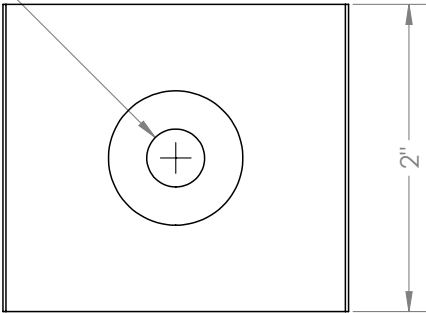
$\phi 3/8^{+0.01}_{-0.00}$  THRU ALL  
 $\sphericalangle \phi 7/8 \pm 0.01 \times 82^\circ$ , NEAR SIDE

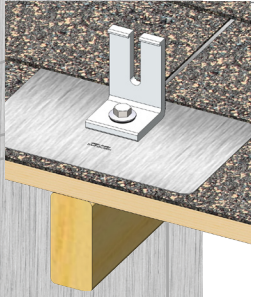


# EcoFasten Solar

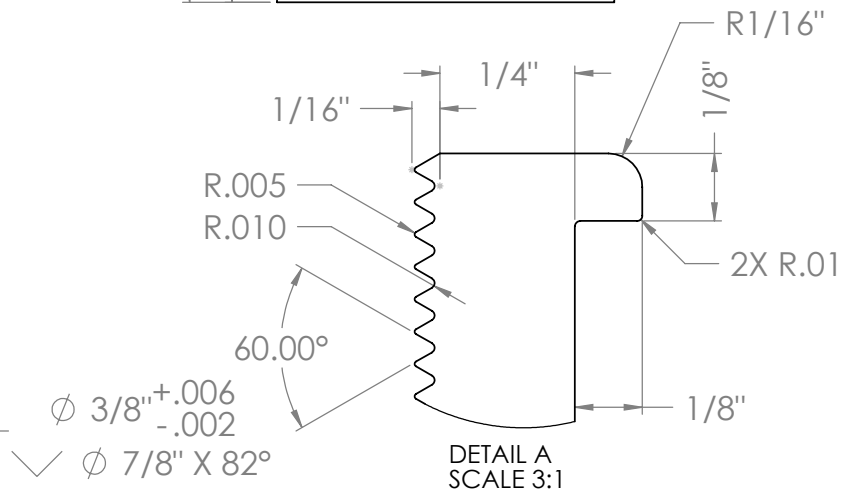
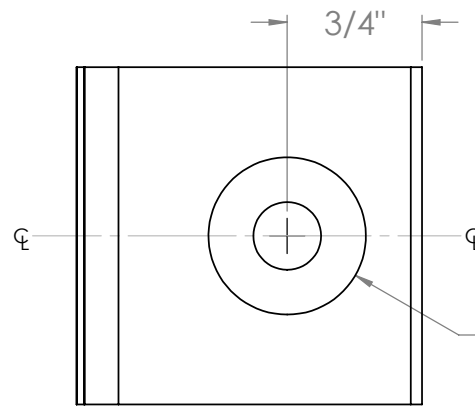
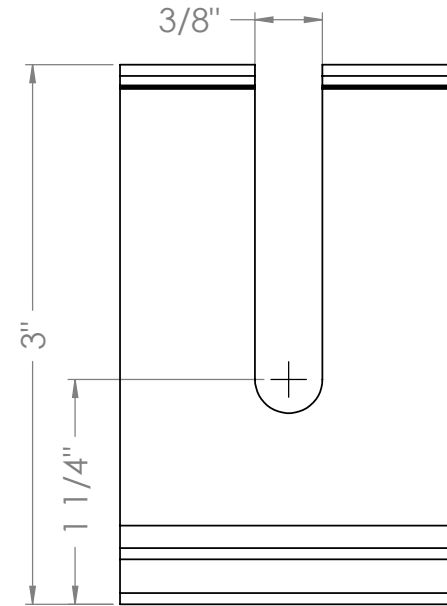
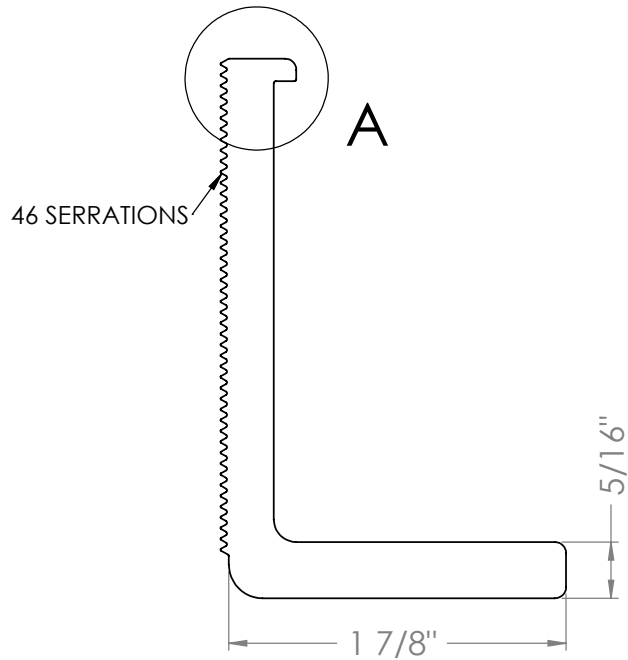


✓  $\phi \frac{3}{8}$ " THRU ALL  
 ✓  $\phi \frac{7}{8}$ " X 82°, NEAR SIDE



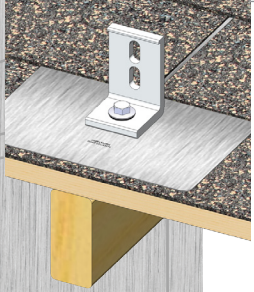


EcoFasten Solar

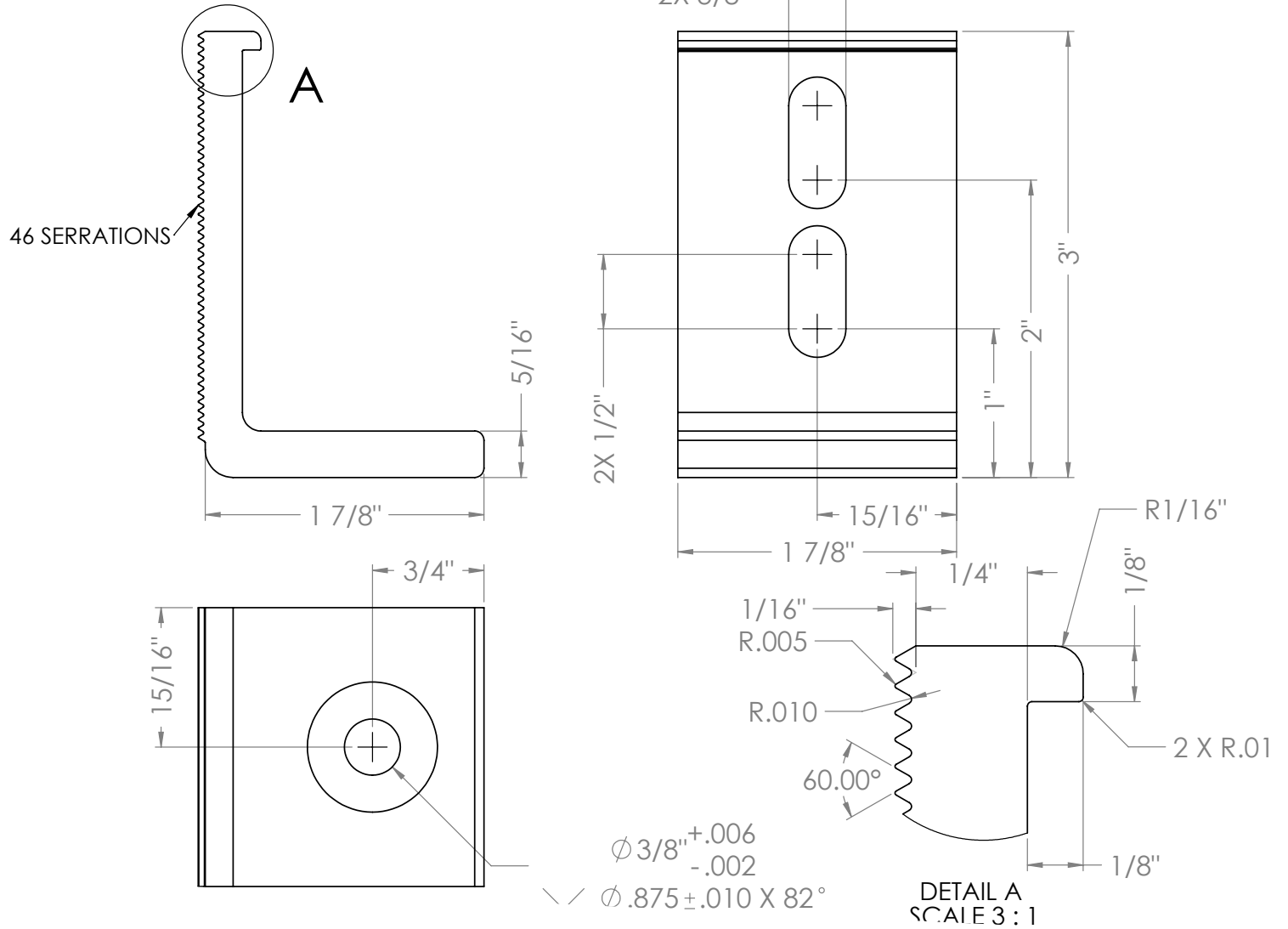


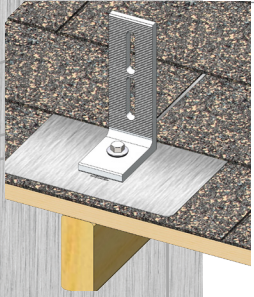
Ø 3/8" <sup>+.006</sup> <sub>-.002</sub>

✓ Ø 7/8" X 82°

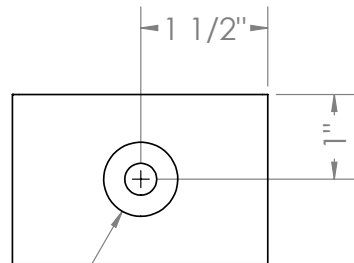
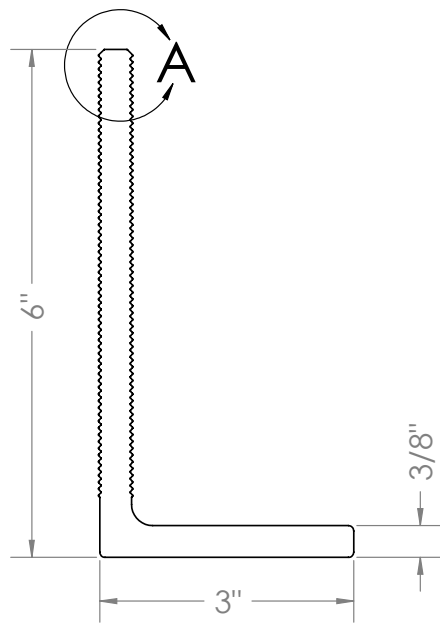


EcoFasten Solar

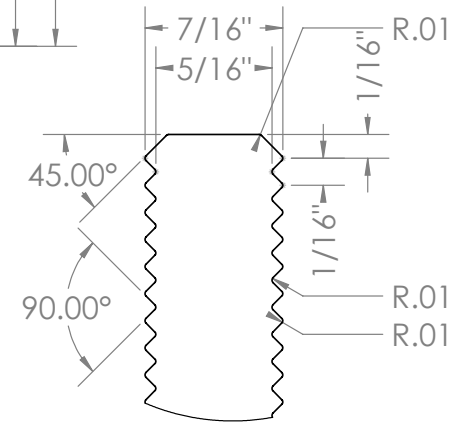
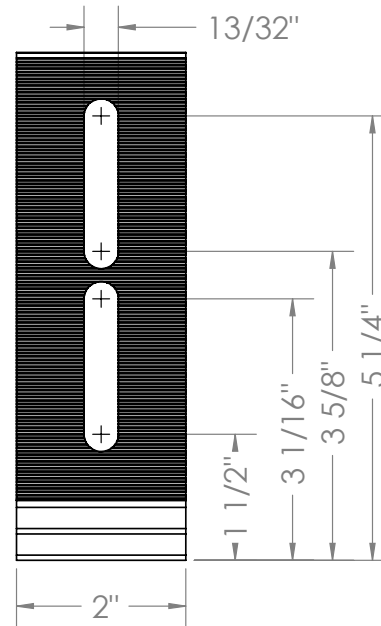




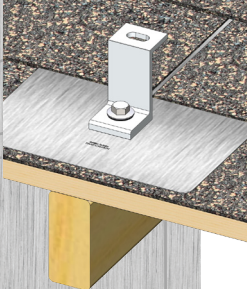
# EcoFasten Solar



$\phi 3/8^{+.01}_{-.00}$  THRU ALL  
 $\checkmark \phi 7/8^{(\pm.01)} \times 82^\circ$ , NEAR SIDE



DETAIL A  
SCALE 2 : 1



# EcoFasten Solar

