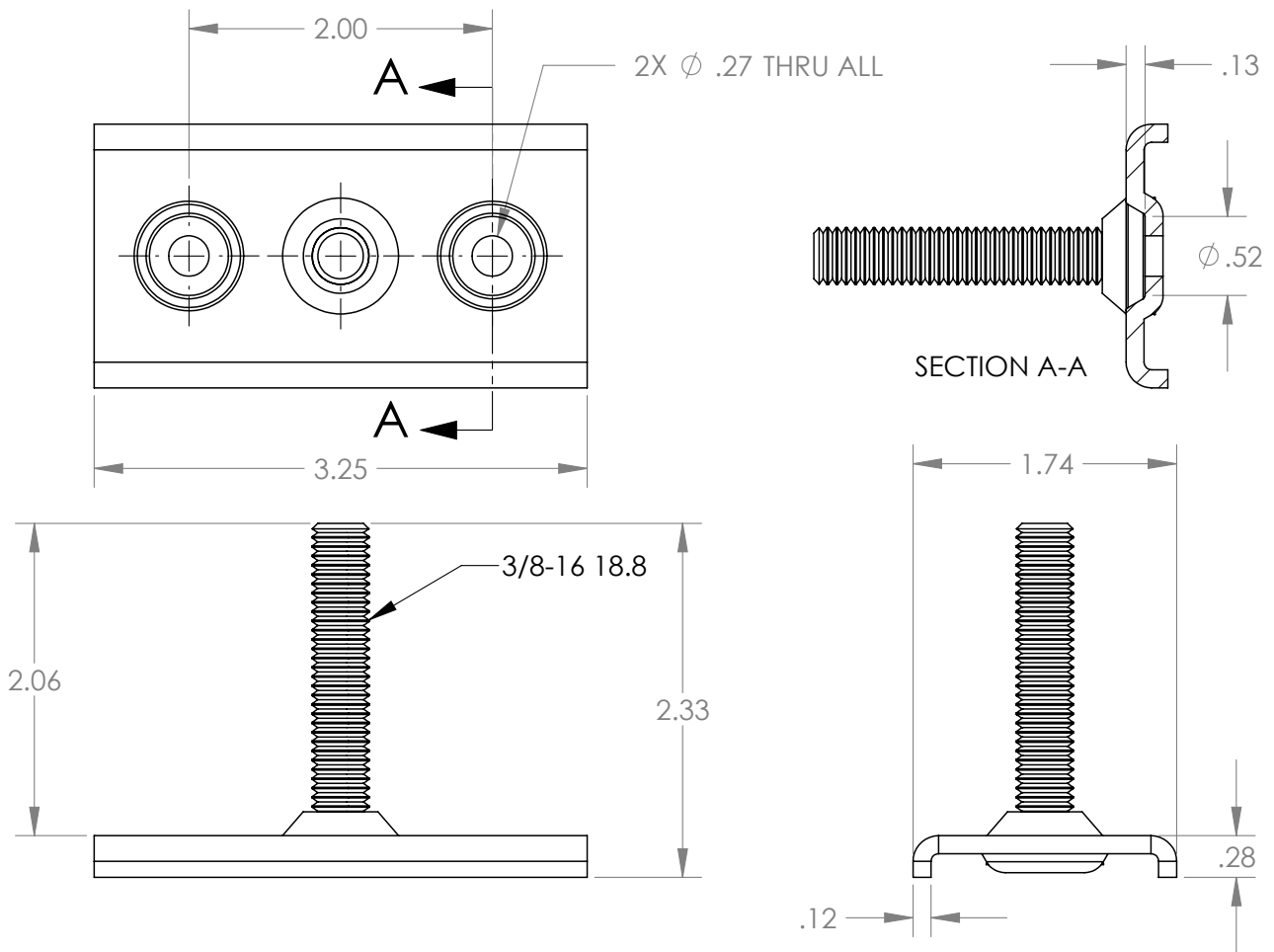
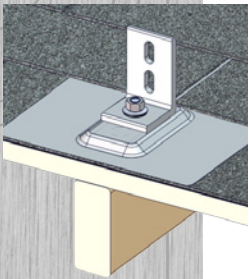


EcoFasten Solar

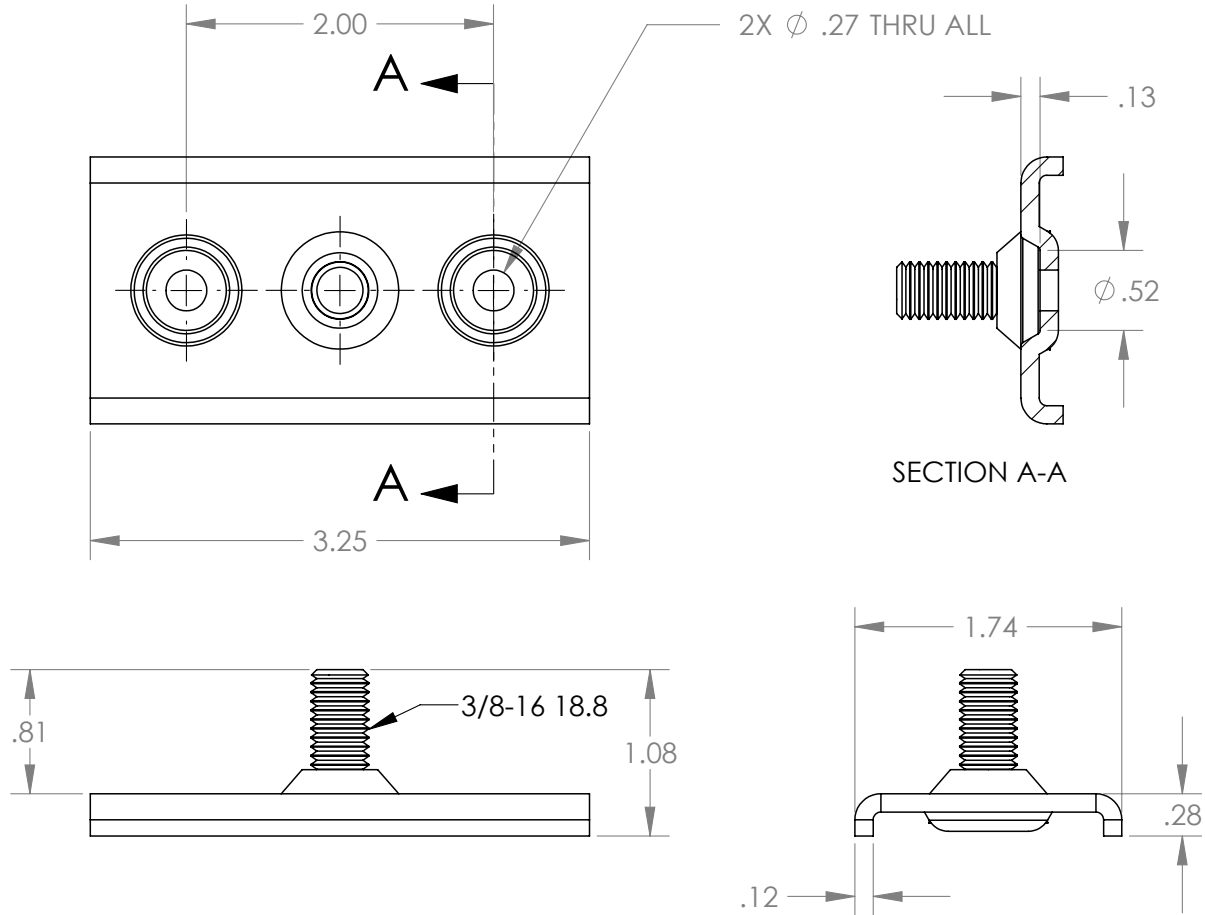
EcoFasten Solar® 877-859-3947 Committed to the Support of Renewable Energy

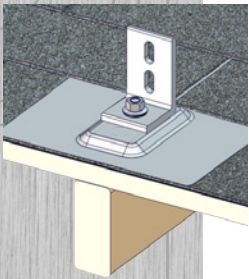




EcoFasten Solar

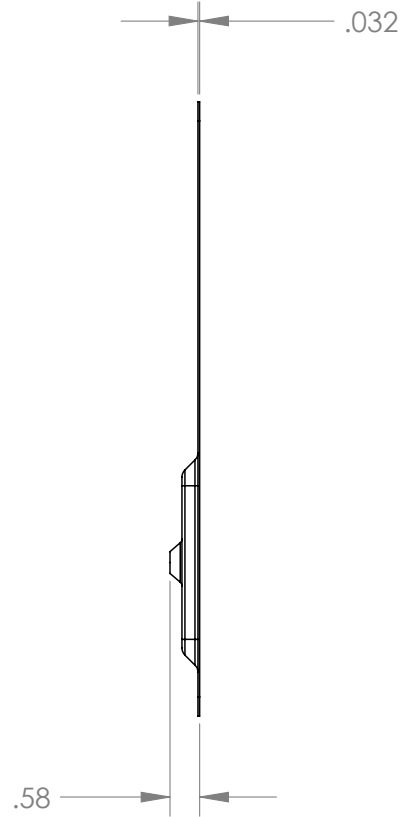
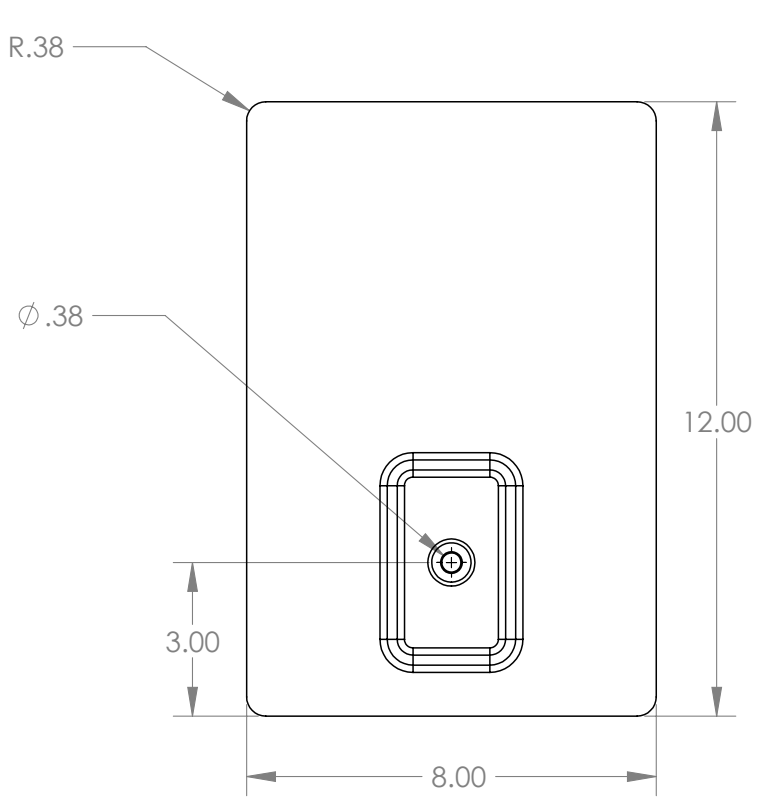
EcoFasten Solar® 877-859-3947 Committed to the Support of Renewable Energy

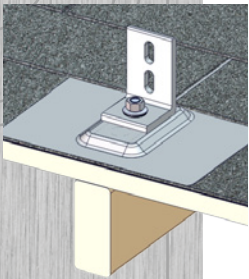




EcoFasten Solar

EcoFasten Solar® 877-859-3947 Committed to the Support of Renewable Energy

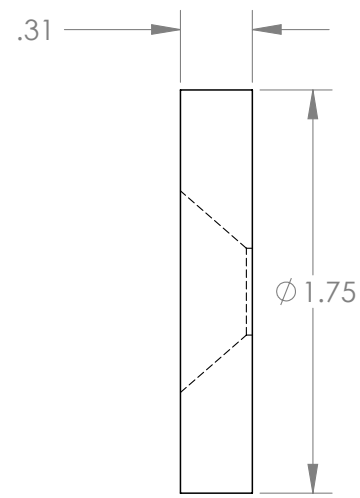
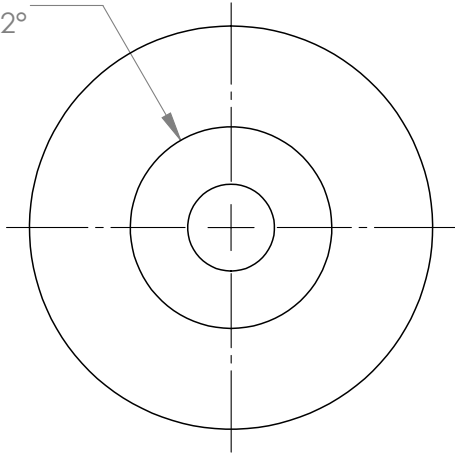


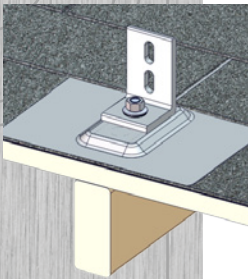


EcoFasten Solar

EcoFasten Solar® 877-859-3947 Committed to the Support of Renewable Energy

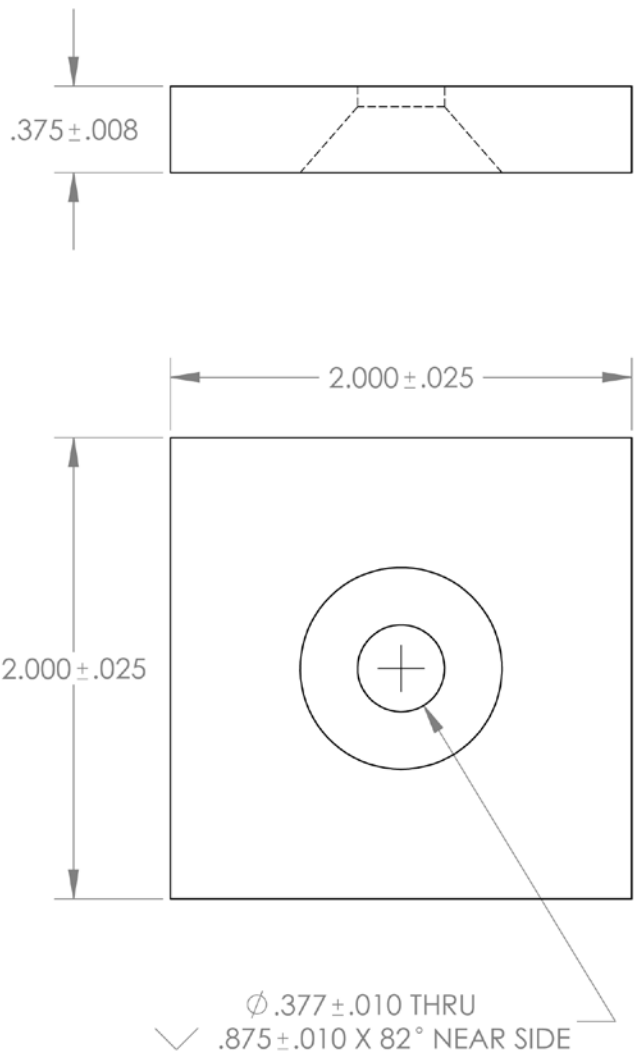
$\phi .377^{+.006}_{-.002}$ THRU ALL
✓ $\phi .875 \pm .010$ X 82°



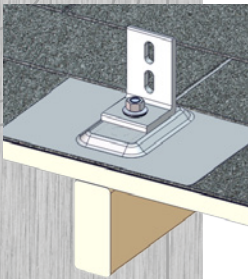


EcoFasten Solar

EcoFasten Solar® 877-859-3947 Committed to the Support of Renewable Energy

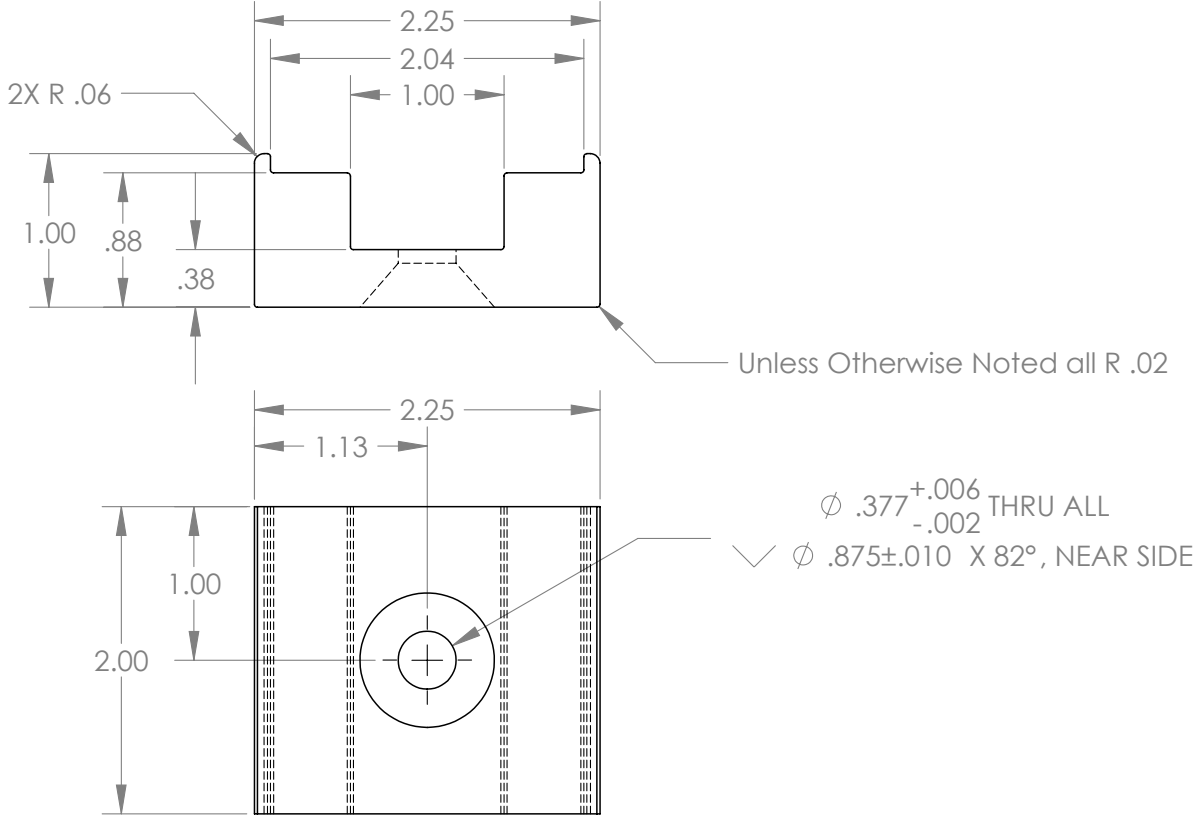


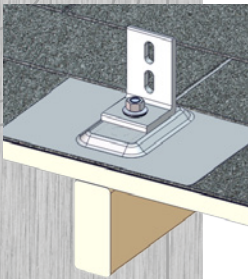
Compression Plate 2" X 2" Mill Aluminum



EcoFasten Solar

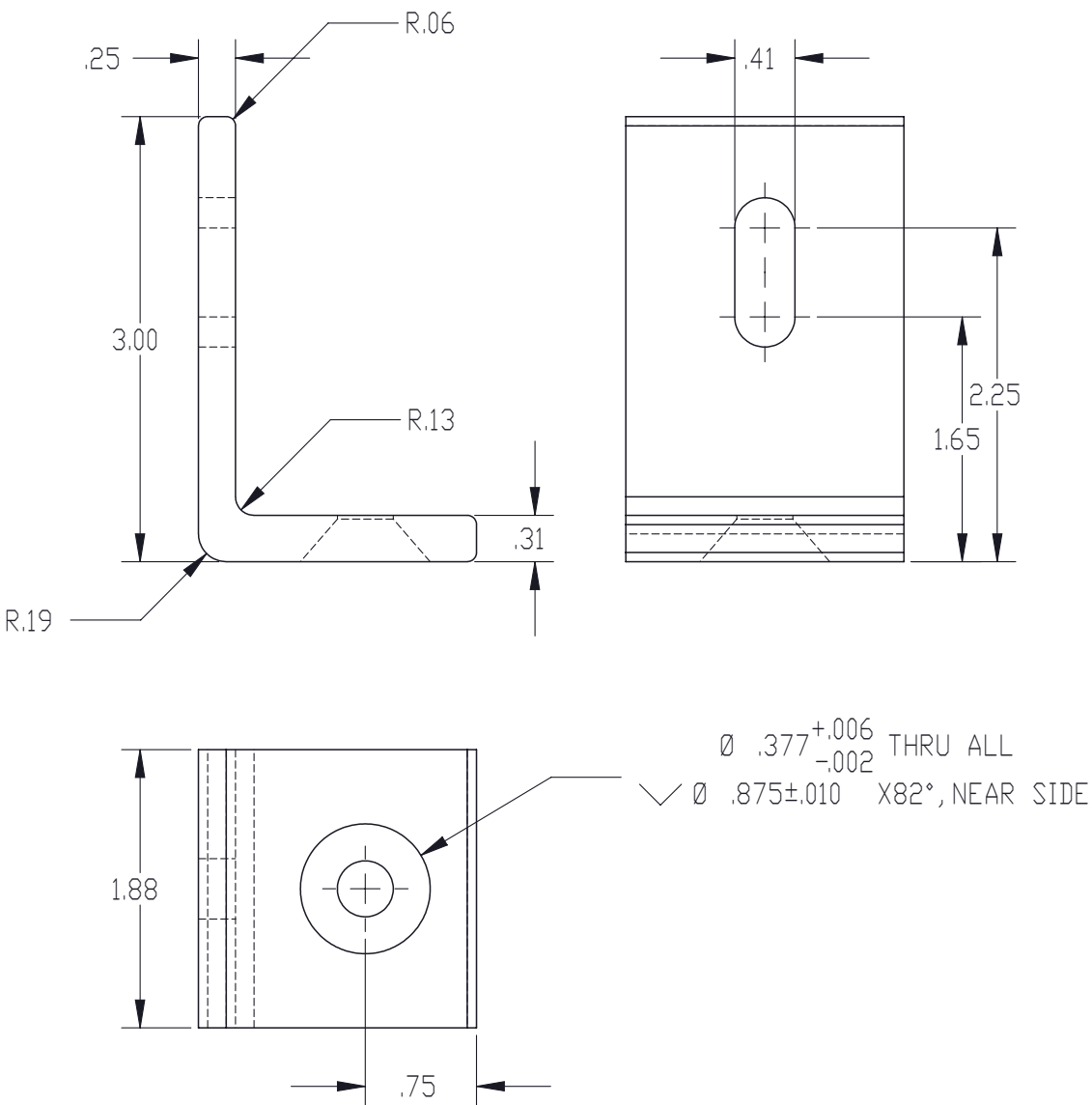
EcoFasten Solar® 877-859-3947 Committed to the Support of Renewable Energy

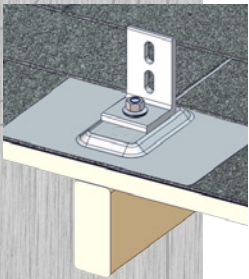




EcoFasten Solar

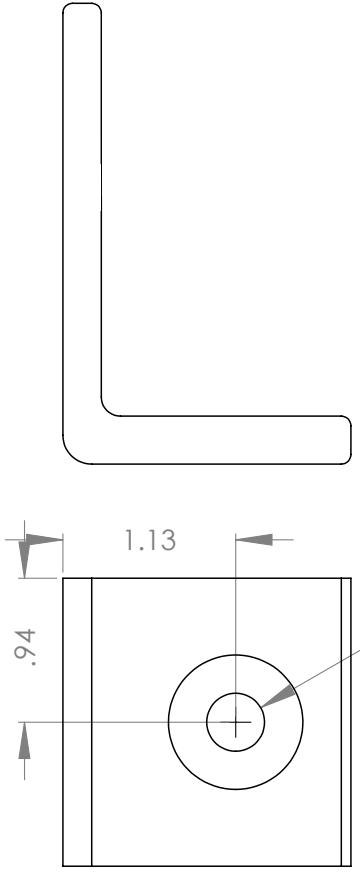
EcoFasten Solar® 877-859-3947 Committed to the Support of Renewable Energy



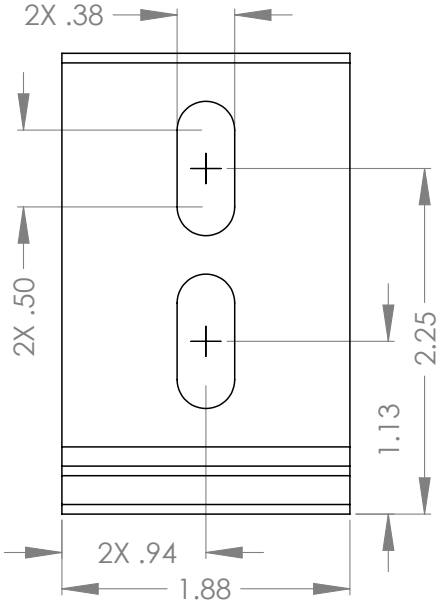


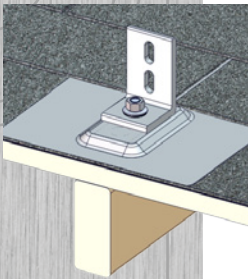
EcoFasten Solar

EcoFasten Solar® 877-859-3947 Committed to the Support of Renewable Energy



Ø .38 THRU
✓ Ø .88 X 82°
NEAR SIDE





EcoFasten Solar

EcoFasten Solar® 877-859-3947 Committed to the Support of Renewable Energy

