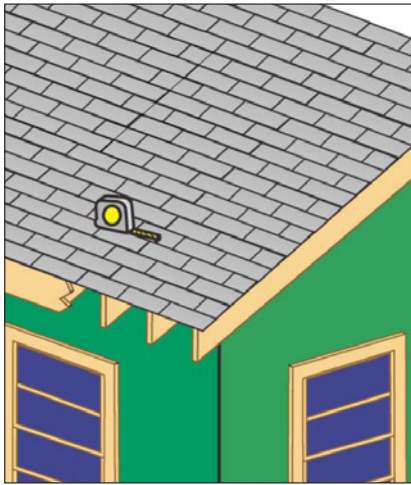
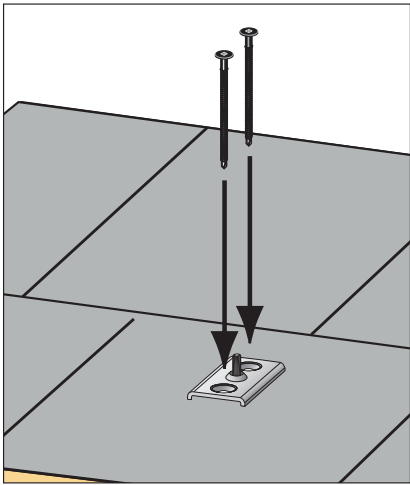


EcoFasten Solar

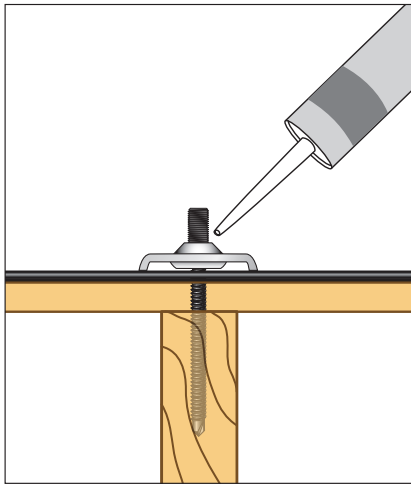
EcoFasten Solar® 877-859-3947 Committed to the Support of Renewable Energy



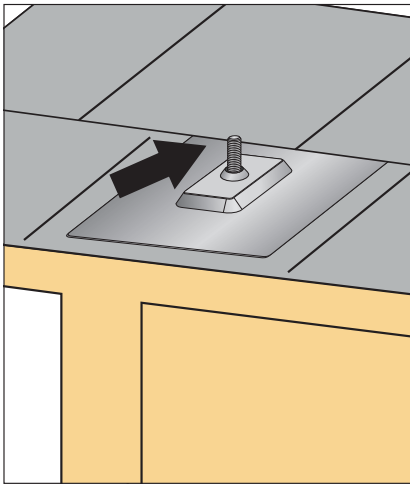
1



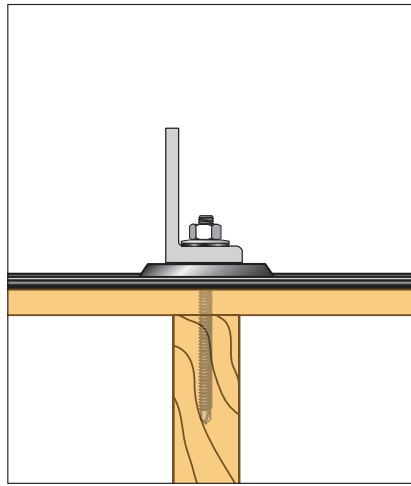
2



3



4



5

Instructions

- \* For detailed product illustration see previous page, for required tools see next page.
  - 1. Locate the rafters and snap horizontal and vertical lines to mark the installation position for each Quik Foot.
  - 2. Install base as shown using appropriate fasteners.\*
  - 3. Apply a thin bead of sealant around the base of the threaded stud.\*\*
  - 4. Insert the flashing so the top part is under the next row of shingles and pushed far enough up slope to prevent water infiltration through vertical joint in shingles.
  - 5. Install top compression component as shown using EPDM bonded washer and stainless nut.
- Consult an engineer or go to [www.ecofastensolar.com](http://www.ecofastensolar.com) for engineering data.

\*EcoFasten recommends XHD fasteners by OMG.

\*\*EcoFasten recommends Geocel 2300.