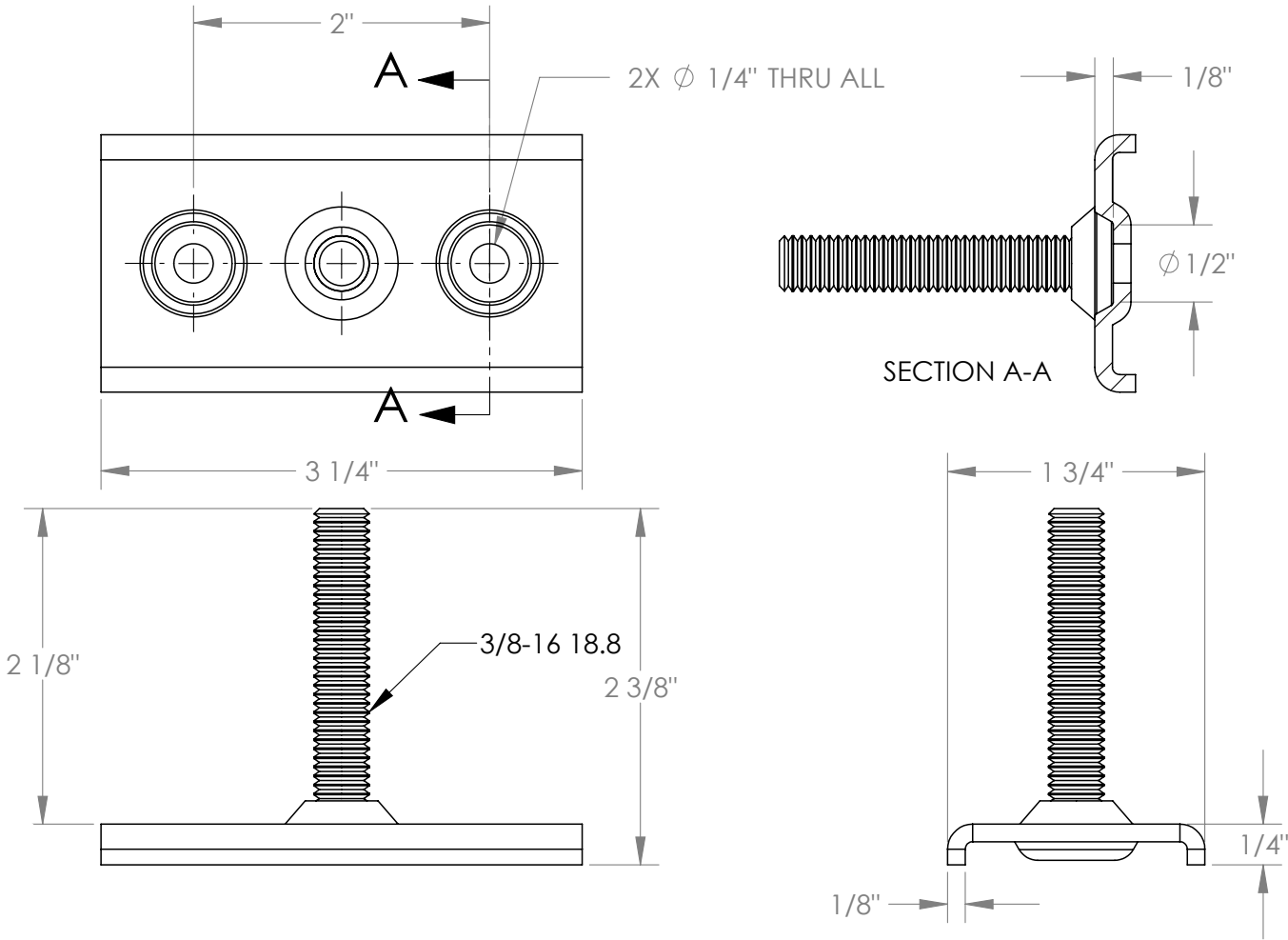
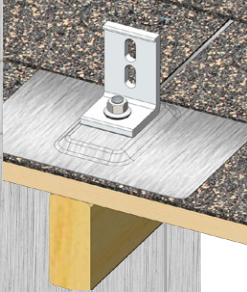
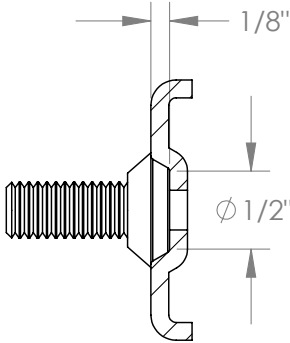
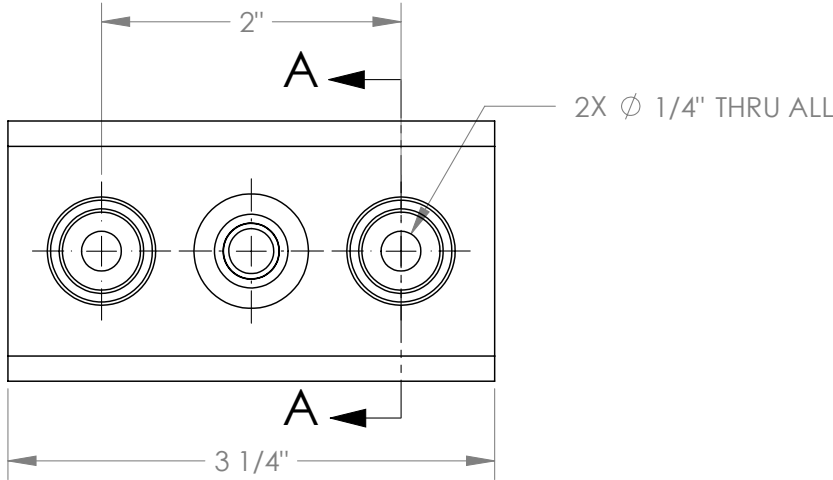


EcoFasten Solar

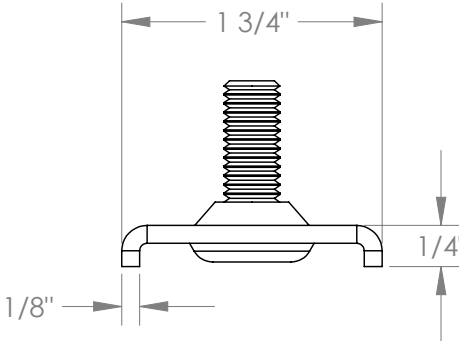
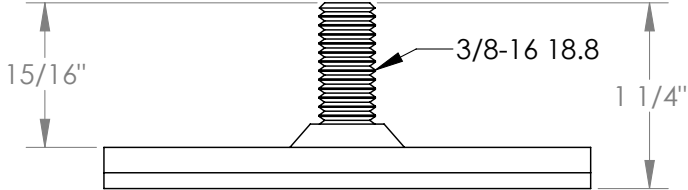


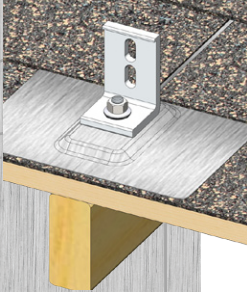


EcoFasten Solar

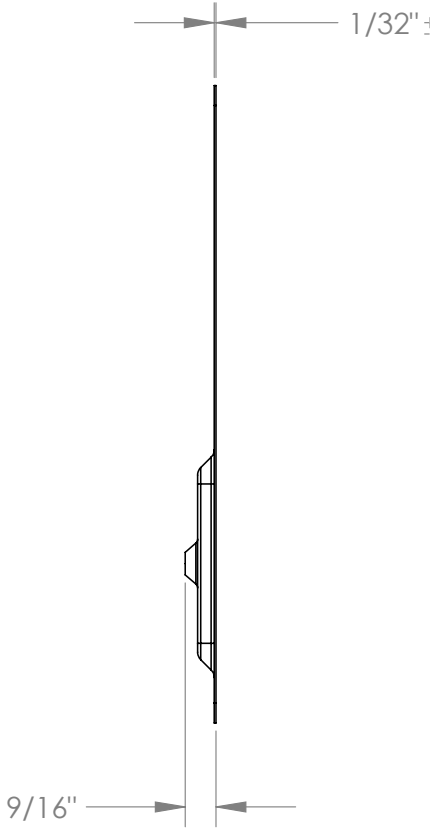
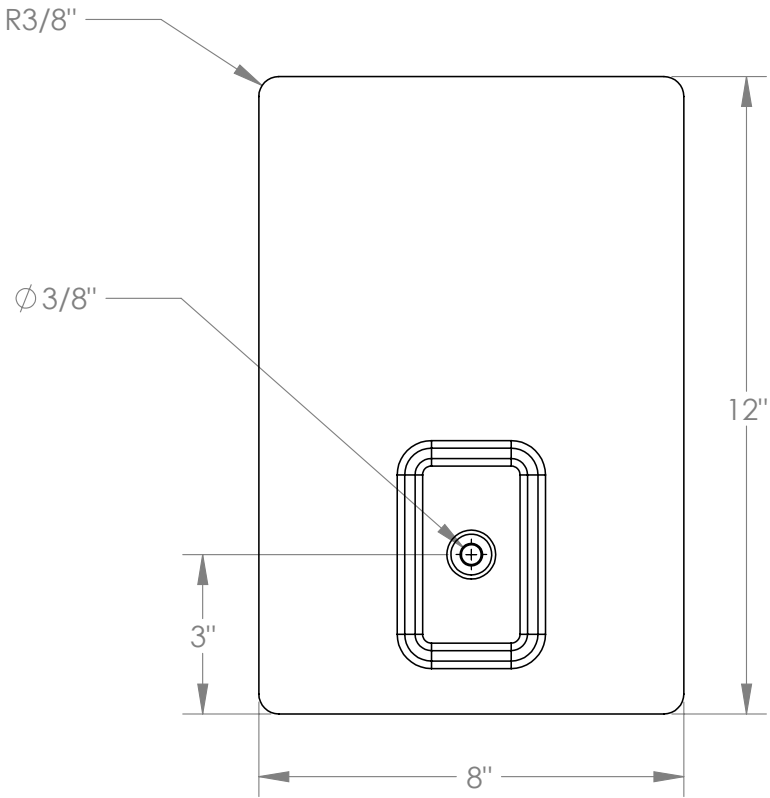


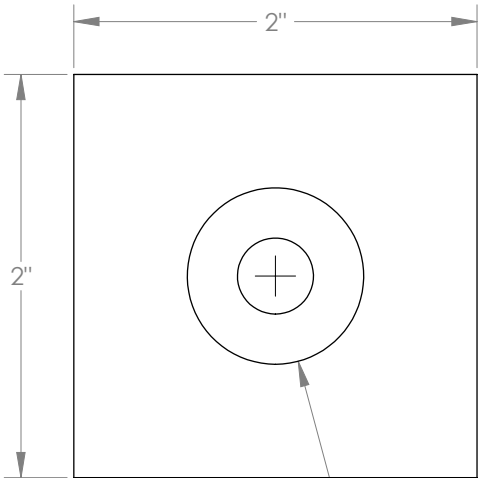
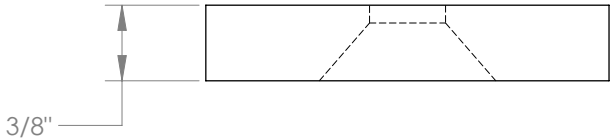
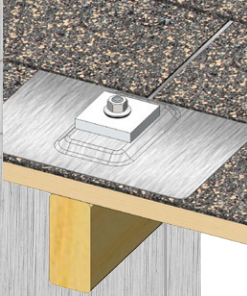
SECTION A-A





EcoFasten Solar

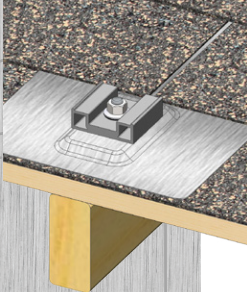




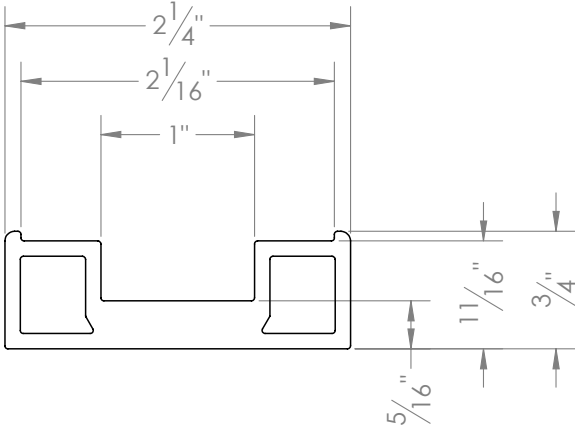
$\phi 3/8^{+.01}_{-.00}$ THRU ALL
 $\checkmark \phi 7/8^{\pm.01} \times 82^{\circ}$, NEAR SIDE

EcoFasten Solar

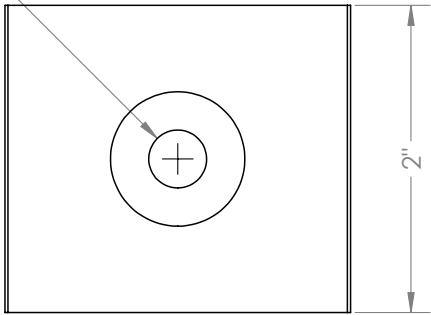
Compression Plate 2" X 2" Mill Aluminum

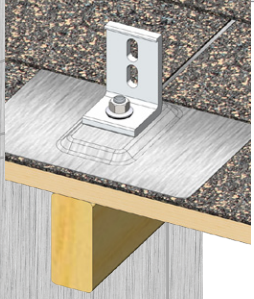


EcoFasten Solar

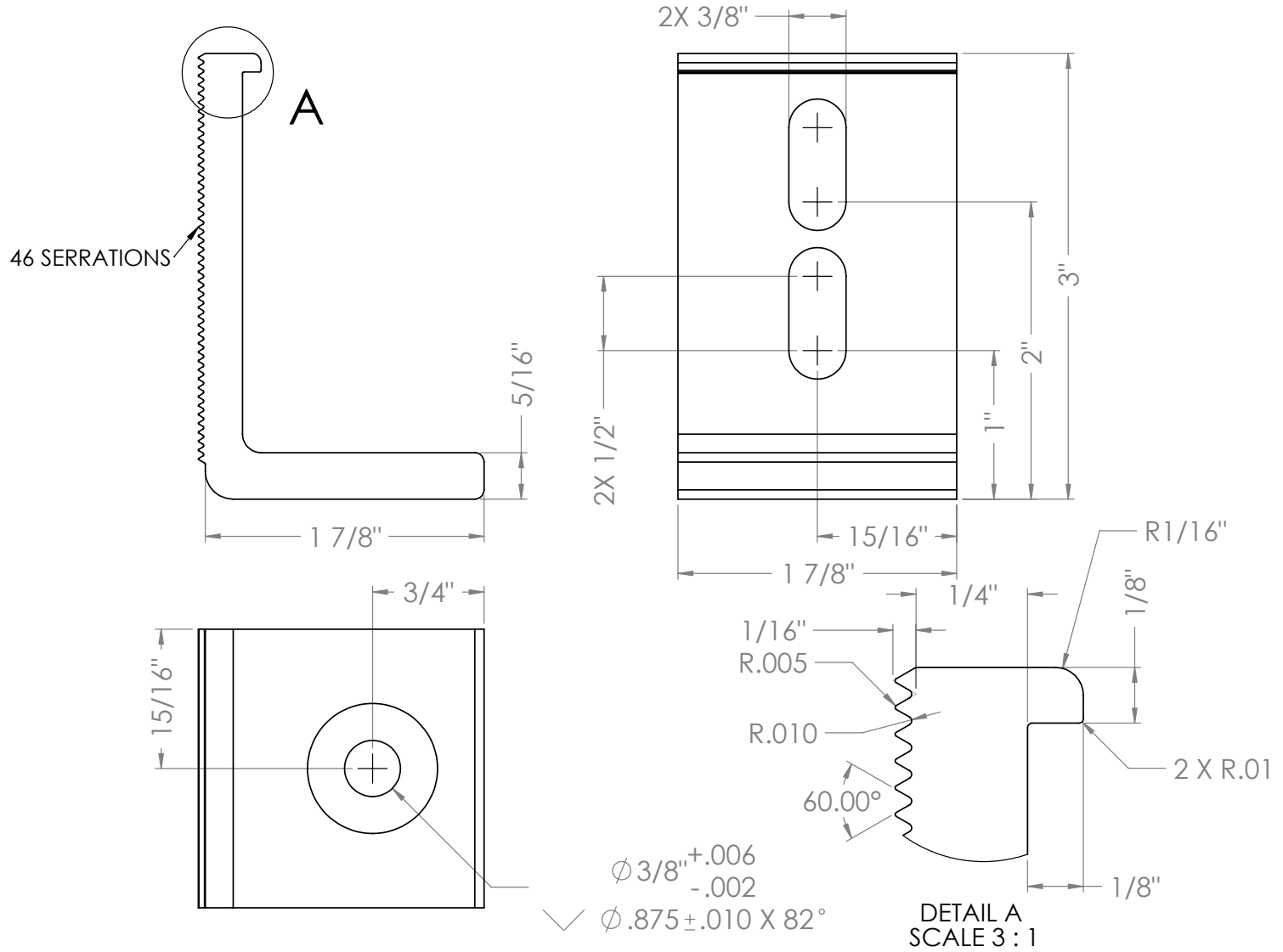


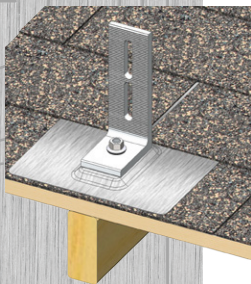
$\phi \frac{3}{8}$ " THRU ALL
 $\checkmark \phi \frac{7}{8}$ " X 82°, NEAR SIDE



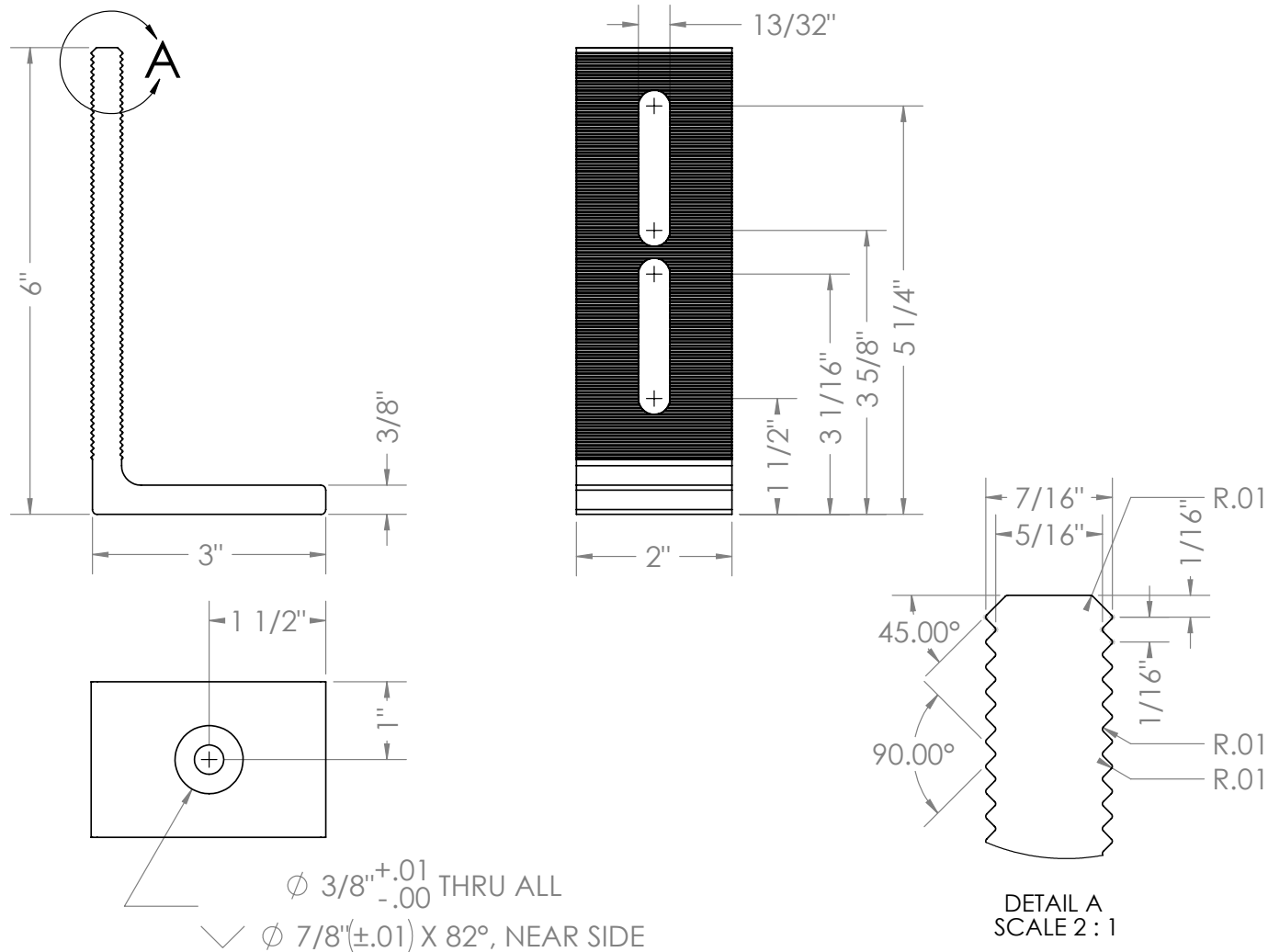


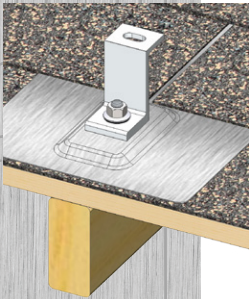
EcoFasten Solar





EcoFasten Solar





EcoFasten Solar

