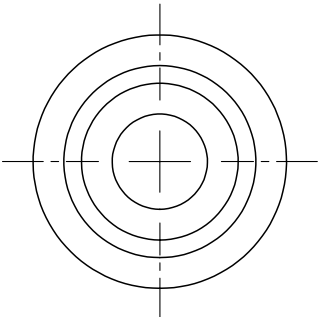
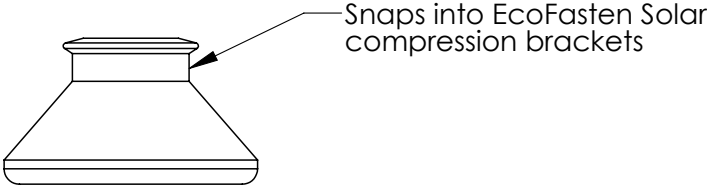
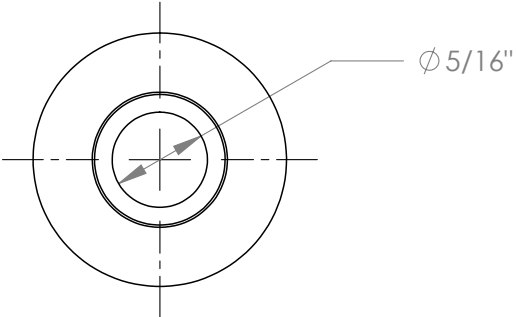
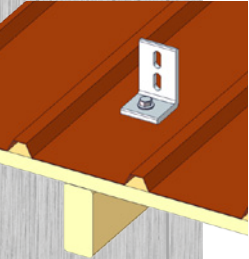


EcoFasten Solar

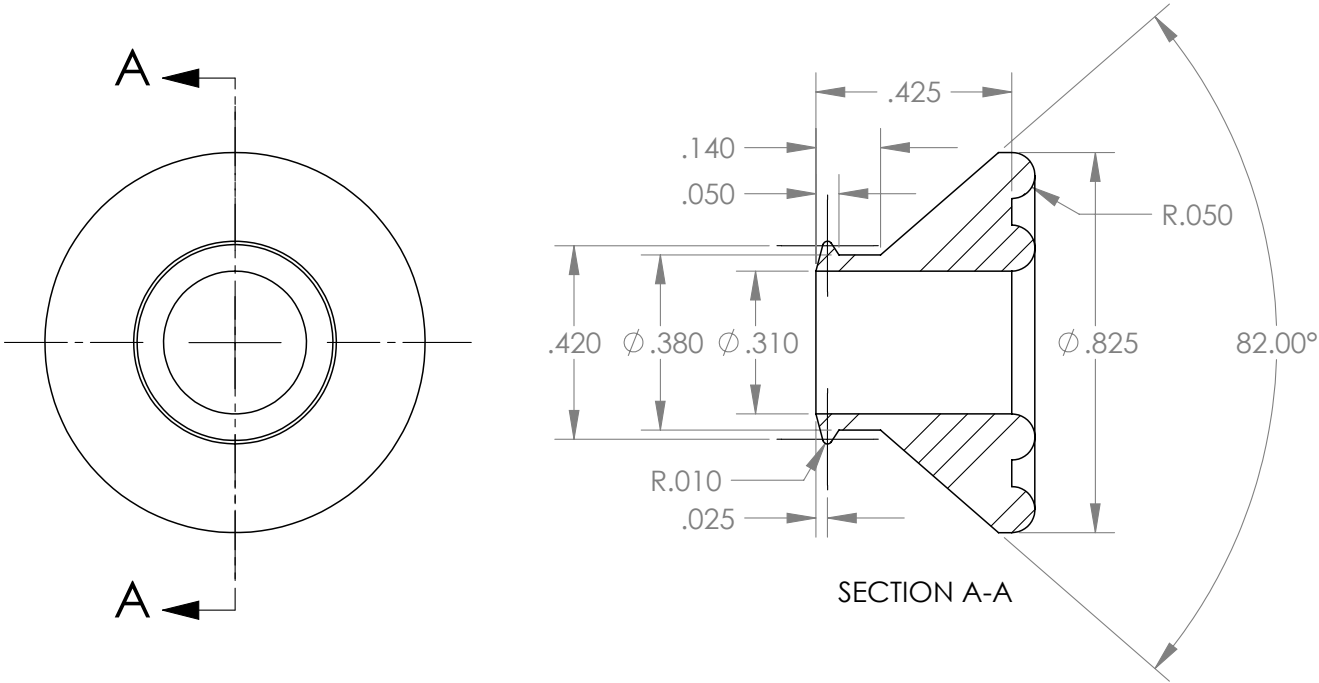
EcoFasten Solar® 877-859-3947 Committed to the Support of Renewable Energy

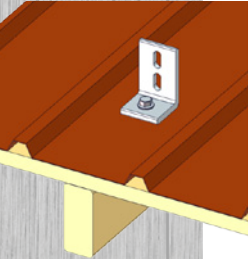




EcoFasten Solar

EcoFasten Solar® 877-859-3947 Committed to the Support of Renewable Energy

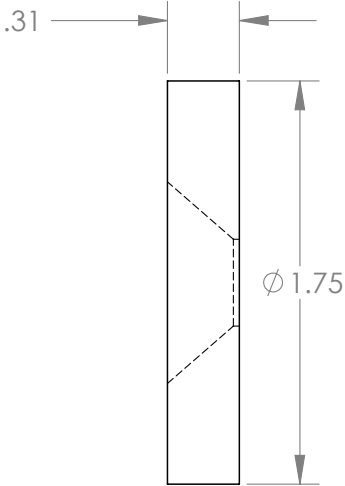
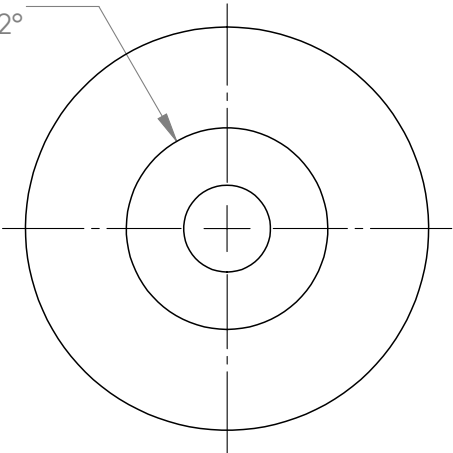


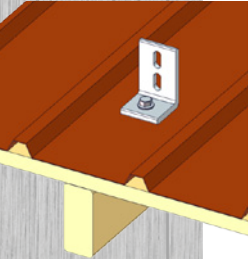


EcoFasten Solar

EcoFasten Solar® 877-859-3947 Committed to the Support of Renewable Energy

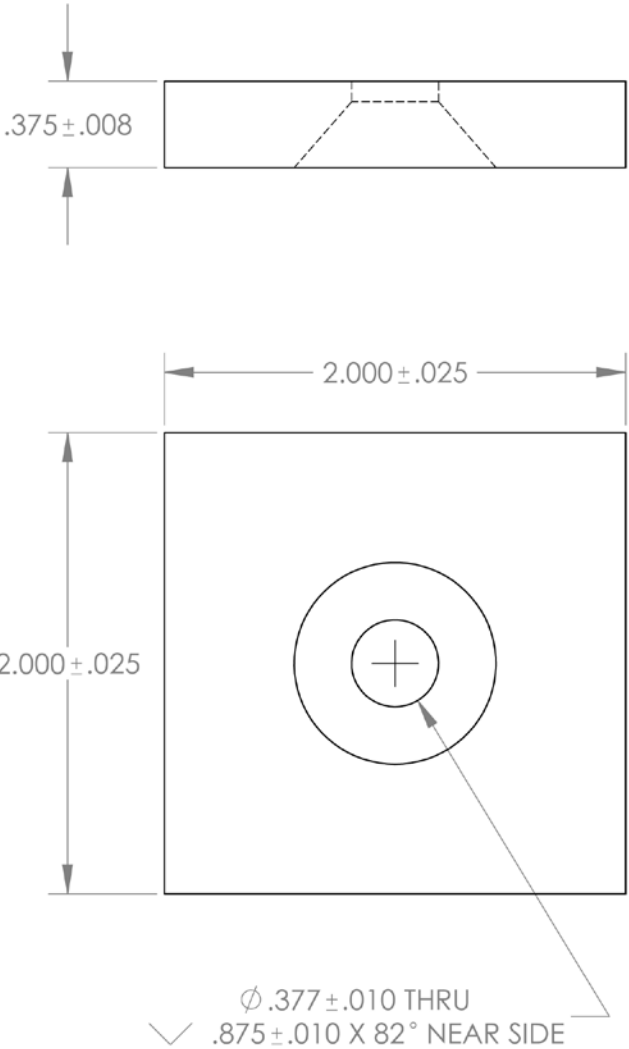
$\phi .377^{+.006}_{-.002}$ THRU ALL
✓ $\phi .875 \pm .010$ X 82°



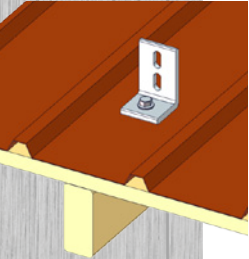


EcoFasten Solar

EcoFasten Solar® 877-859-3947 Committed to the Support of Renewable Energy

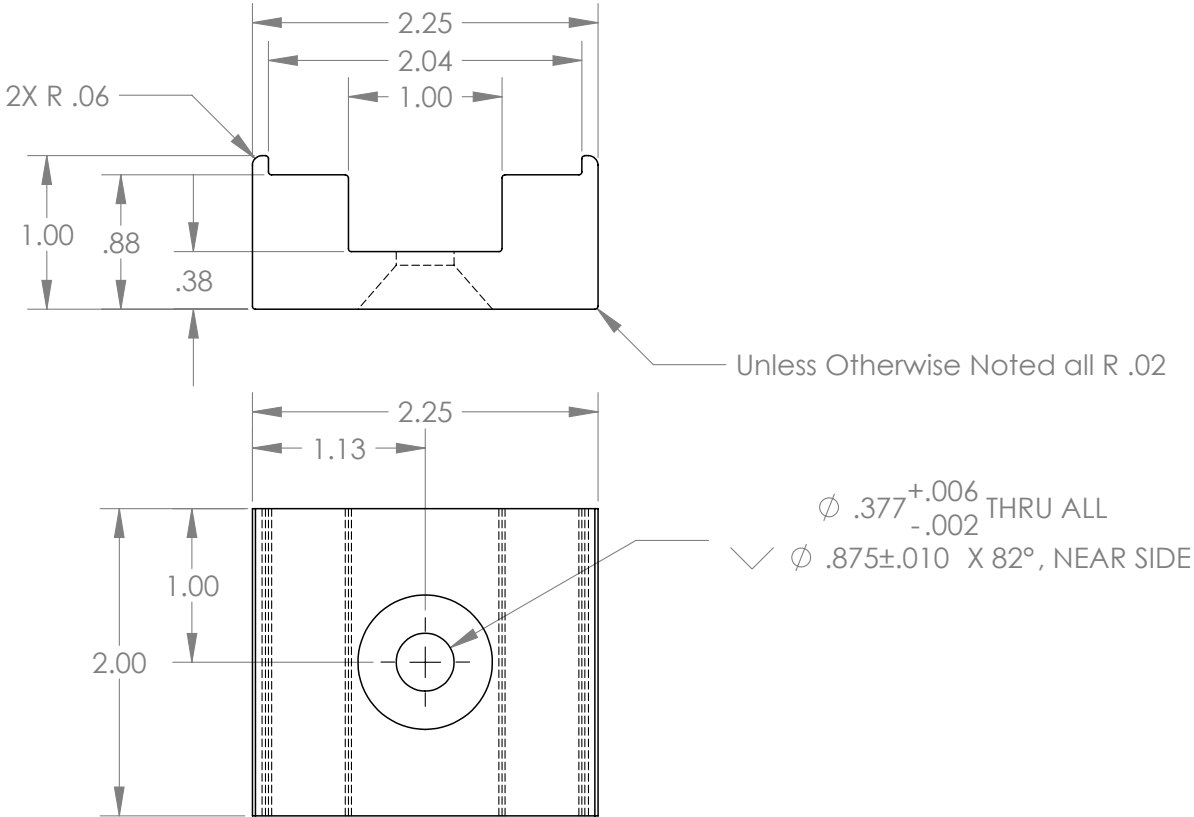


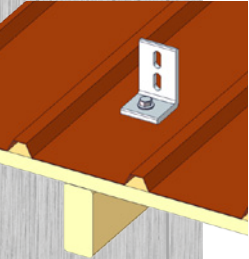
Compression Plate 2" X 2" Mill Aluminum



EcoFasten Solar

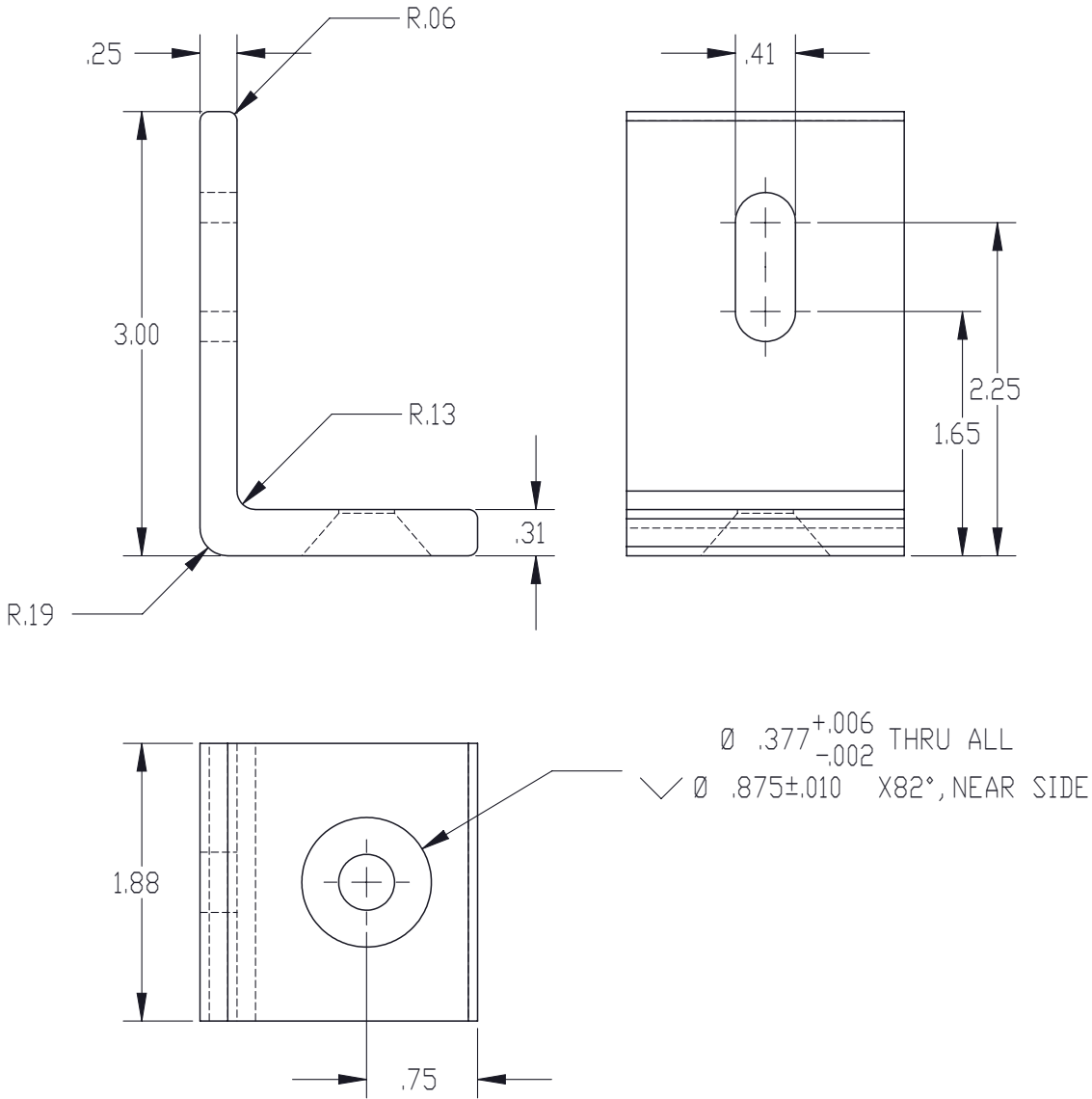
EcoFasten Solar® 877-859-3947 Committed to the Support of Renewable Energy





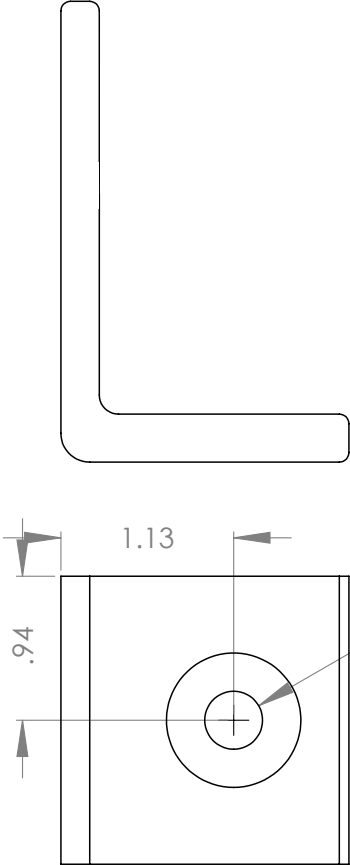
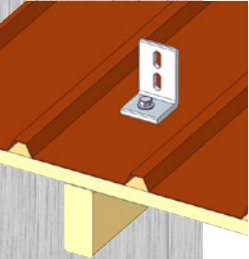
EcoFasten Solar

EcoFasten Solar® 877-859-3947 Committed to the Support of Renewable Energy

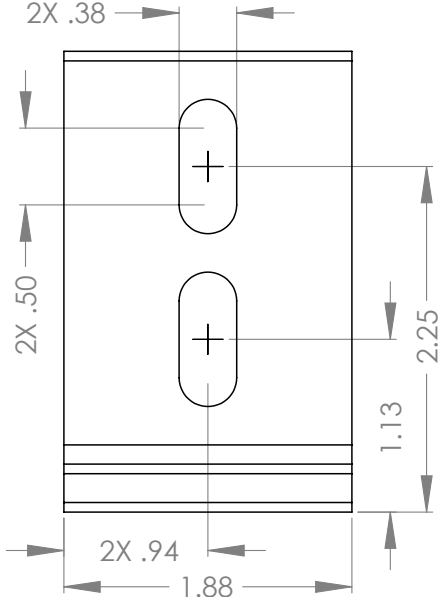


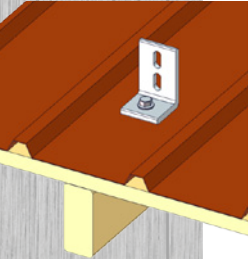
EcoFasten Solar

EcoFasten Solar® 877-859-3947 Committed to the Support of Renewable Energy



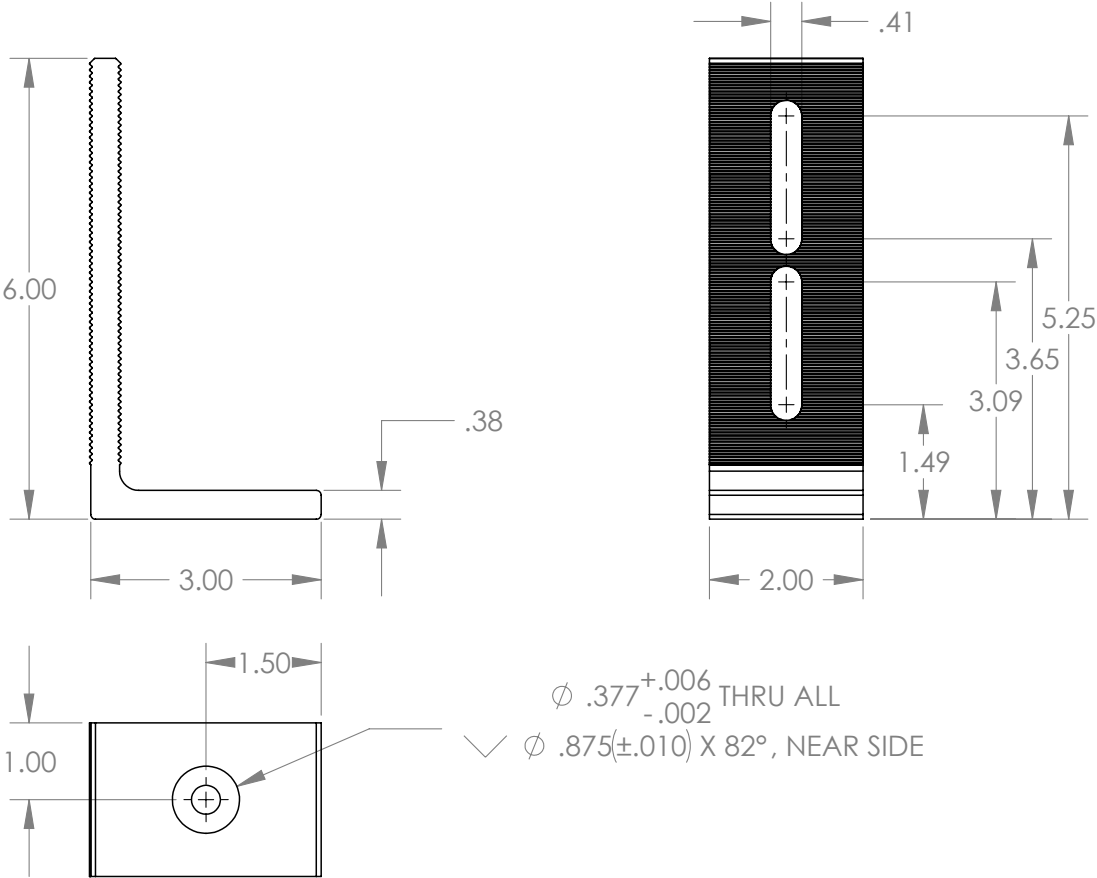
$\varnothing .38$ THRU
 $\surd \varnothing .88 \times 82^\circ$
 NEAR SIDE

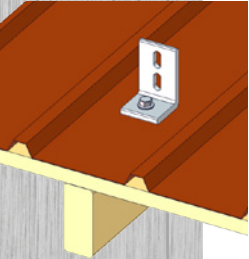




EcoFasten Solar

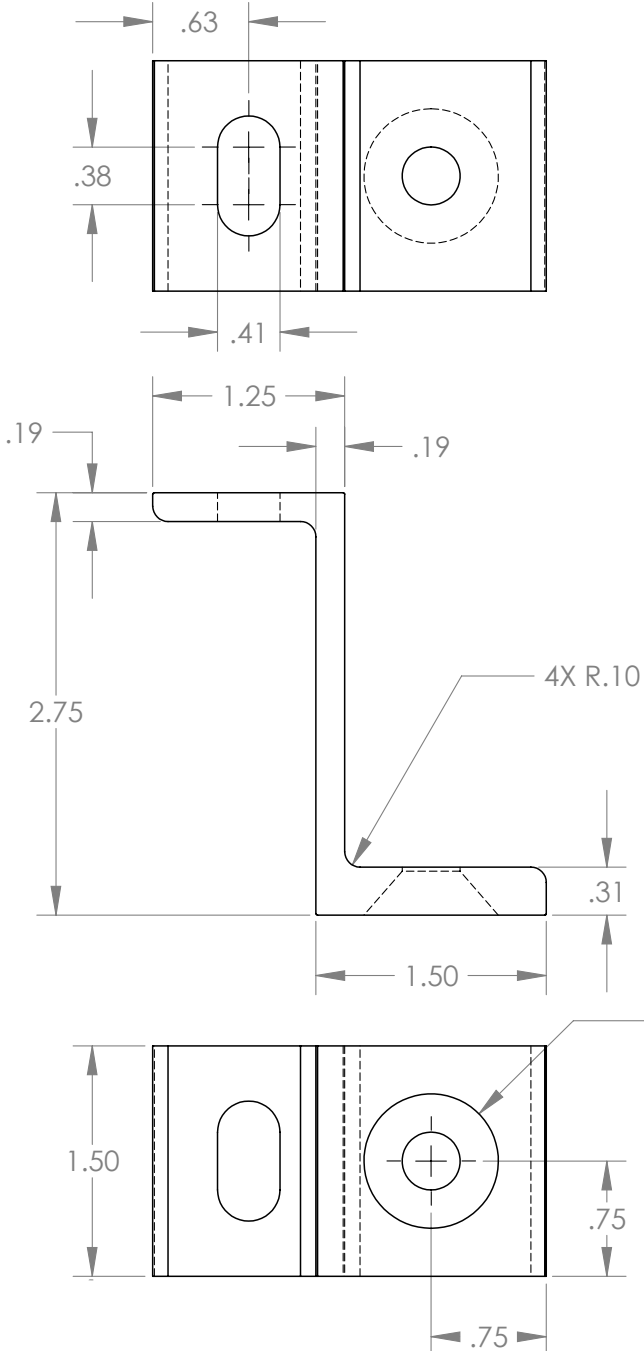
EcoFasten Solar® 877-859-3947 Committed to the Support of Renewable Energy





EcoFasten Solar

EcoFasten Solar® 877-859-3947 Committed to the Support of Renewable Energy



$\phi .377^{+.006}_{-.002}$ THRU ALL
 $\checkmark \phi .875 \pm .010 \times 82^\circ$, NEAR SIDE