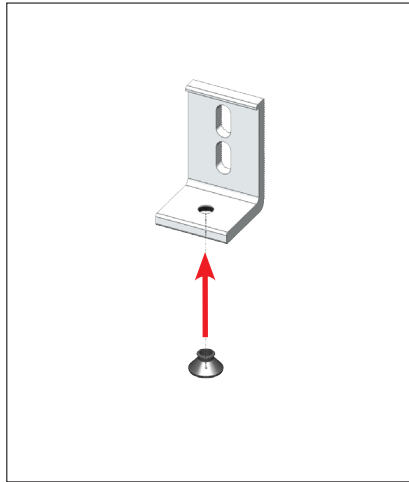
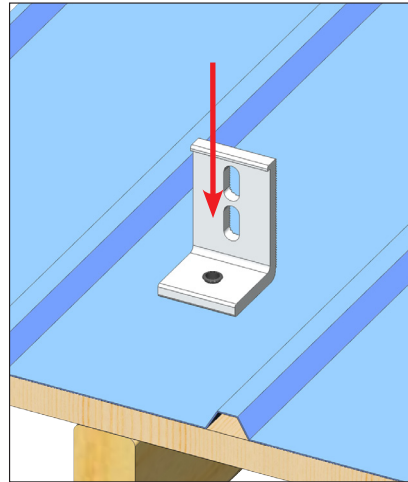


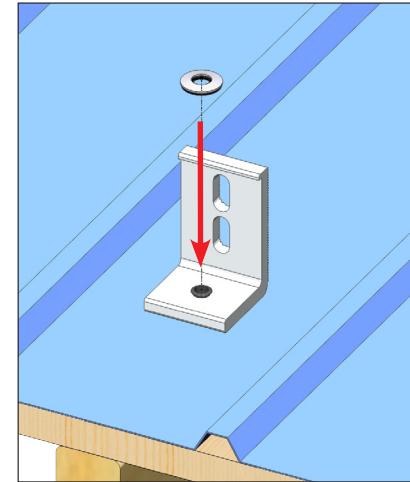
EcoFasten Solar



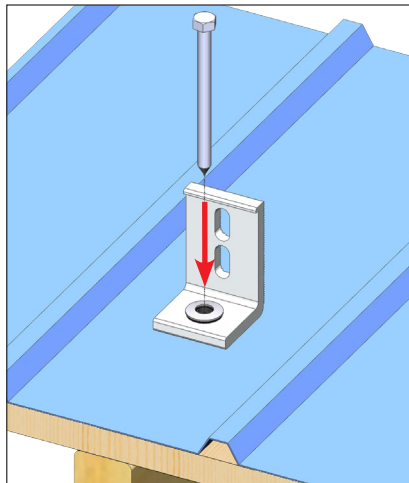
1



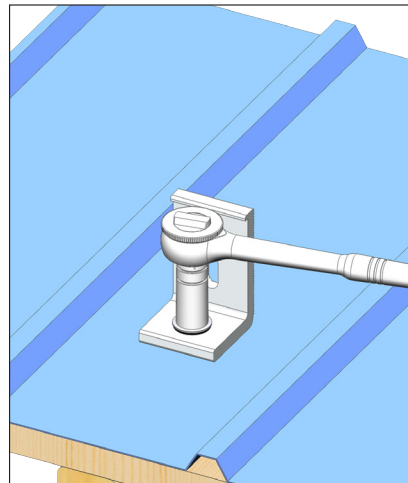
2



3



4



5

Instructions

* For detailed product illustration and required tools, see previous page.

1. The cone shaped bushing is black in color and is packaged with the compression bracket. Insert this bushing into the bracket prior to installation. To do this, insert the tip of the cone in to the corresponding shape in the bottom of the compression bracket. The ridge around the tip of the cone will hold the bushing in place until the bracket is installed.
2. Place the compression bracket on roof surface above a supporting structural component, ensuring that the bushing sits flat against the roof surface.
3. Place a bonded EPDM/stainless steel washer over the exposed portion of the bushing, EPDM side down.
4. Insert the fastener that has been pre-approved for the project through the bonded washer and the bushing.
5. Tighten fastener until bracket is pulled down snug to the roof surface. The tension required will vary with the project roof deck, age, and type. Be sure not to over tighten the fasteners and strip the threads.

Consult an engineer or go to www.ecofastensolar.com for engineering data.