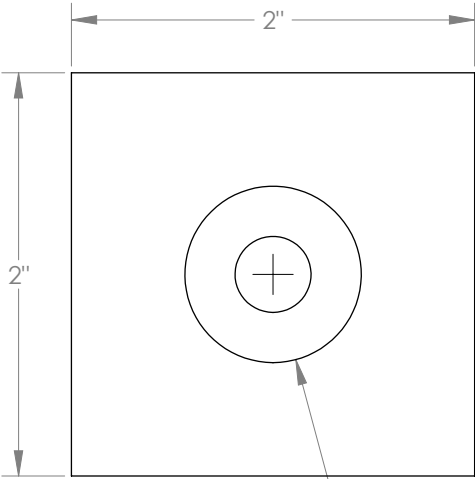
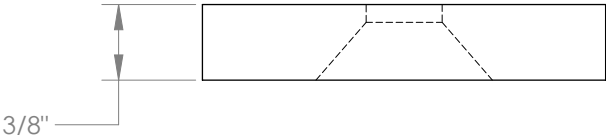
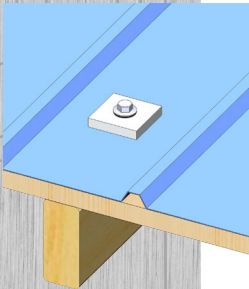


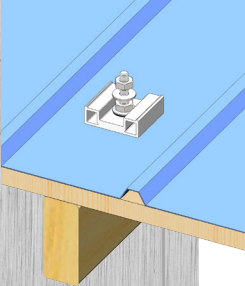
EcoFasten Solar



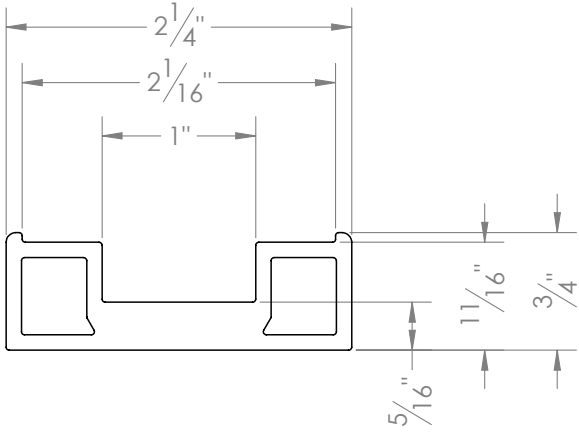
$\phi 3/8^{+.01}_{-.00}$  THRU ALL  
 $\checkmark \phi 7/8^{\pm.01} \times 82^\circ$ , NEAR SIDE

EcoFasten Solar

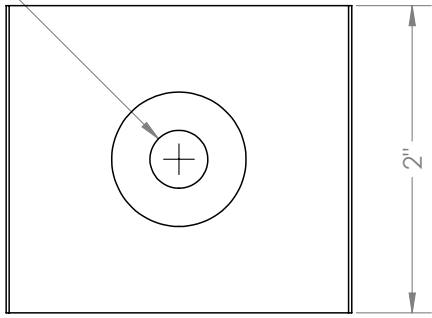
Compression Plate 2" X 2" Mill Aluminum

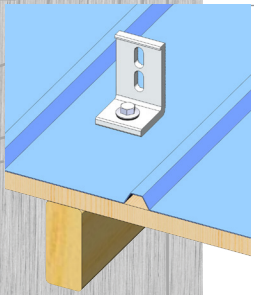


EcoFasten Solar

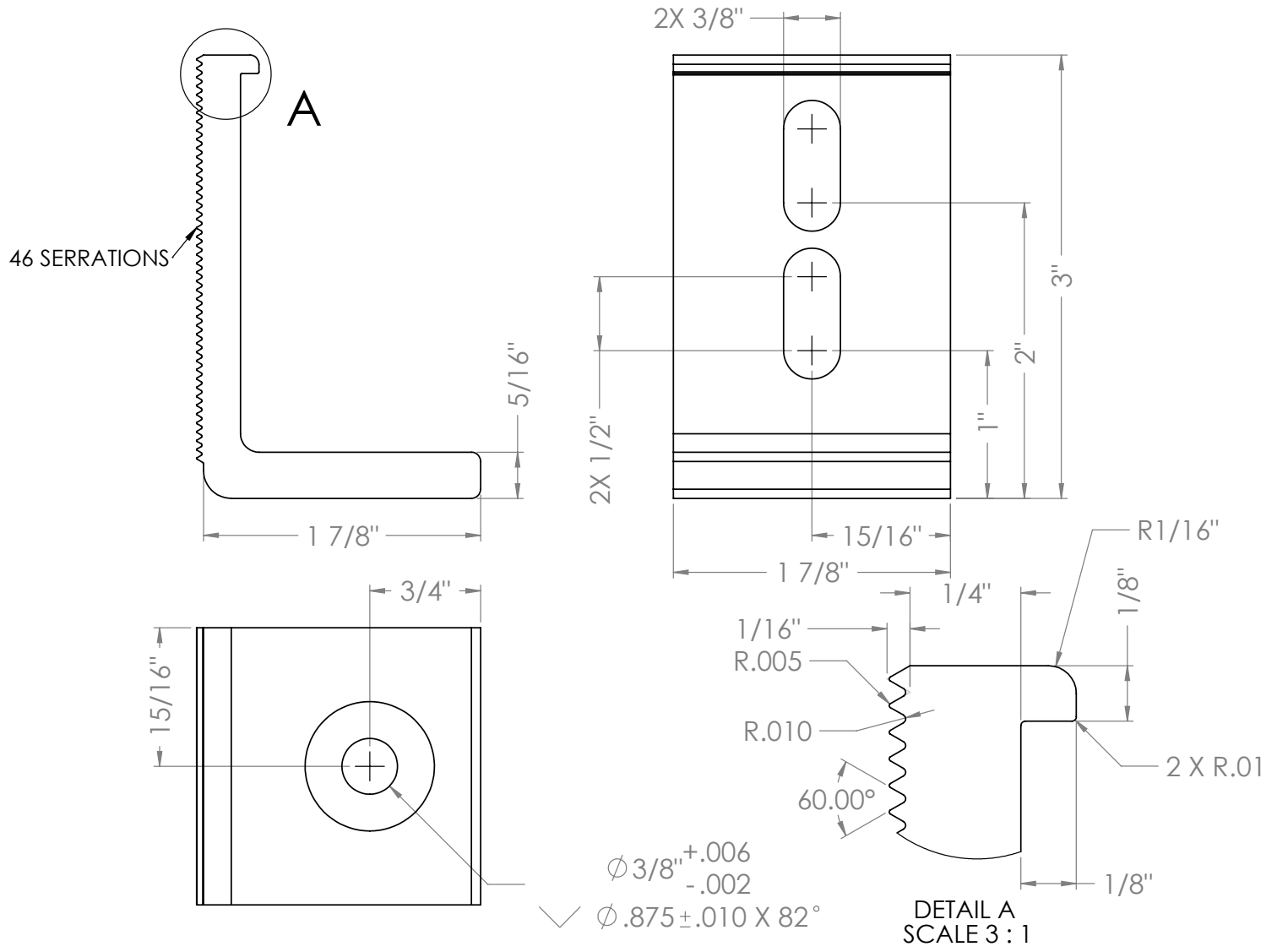


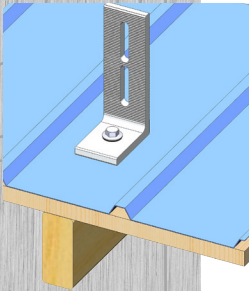
✓  $\phi \frac{3}{8}$ " THRU ALL  
✓  $\phi \frac{7}{8}$ " X 82°, NEAR SIDE



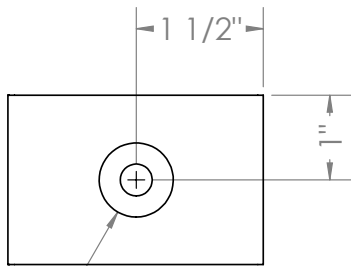
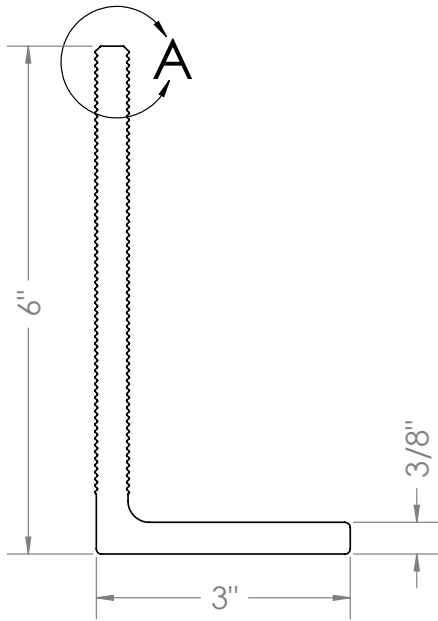


EcoFasten Solar

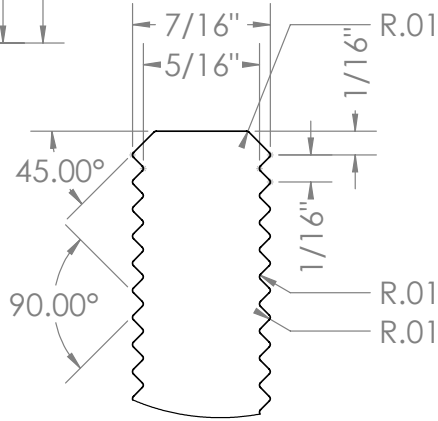
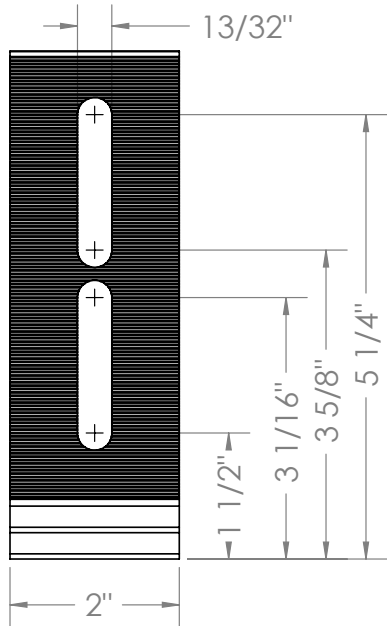




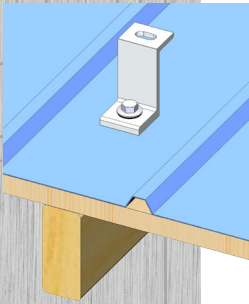
# EcoFasten Solar



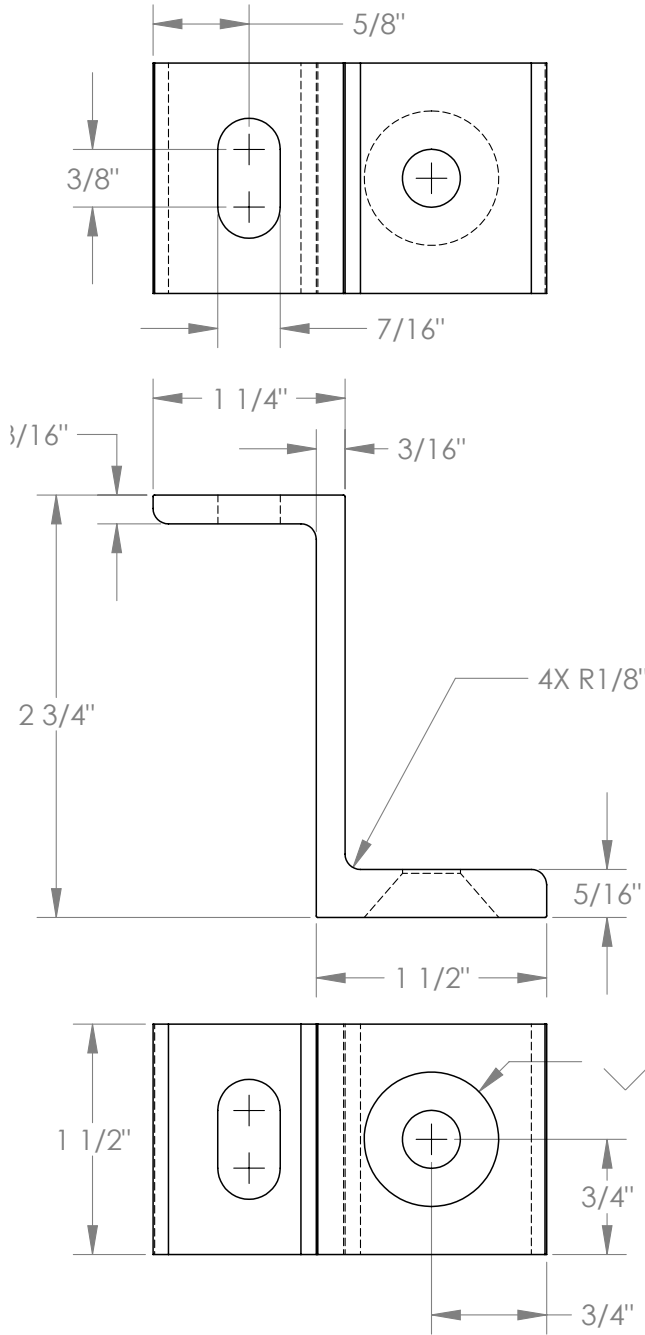
$\phi 3/8^{+.01}_{-.00}$  THRU ALL  
 ✓  $\phi 7/8^{(\pm.01)} \times 82^\circ$ , NEAR SIDE



DETAIL A SCALE 2 : 1



# EcoFasten Solar



$\phi\ 3/8"^{+.006}_{-.002}$  THRU ALL  
 $\phi\ 7/8" \pm .010$  X  $82^\circ$ , NEAR SIDE