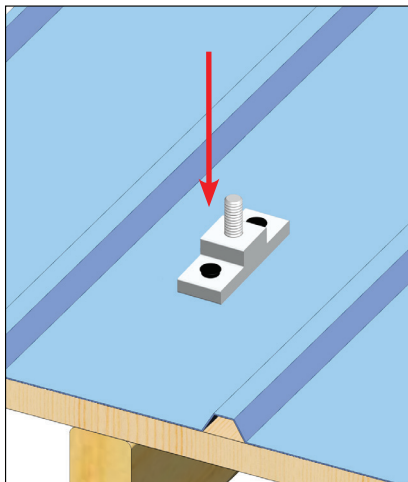
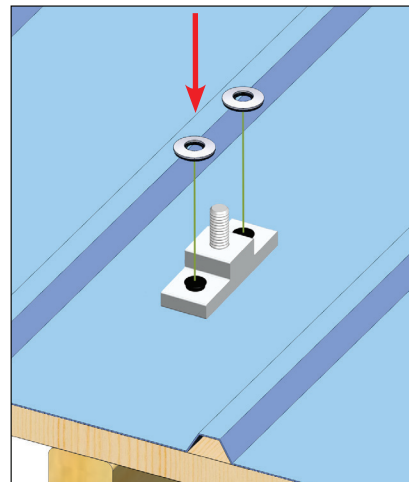


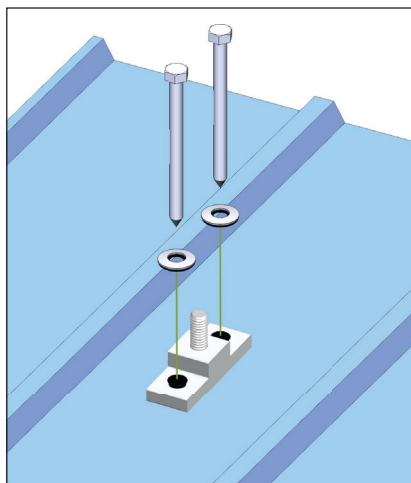
1



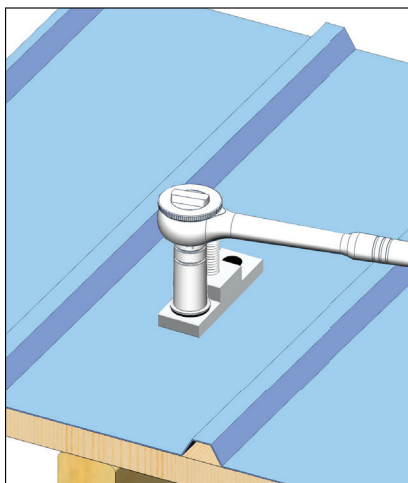
2



3



4



5

Instructions

1. The cone shaped bushings are black in color and are packaged with the compression bracket. Insert this bushings into the bracket prior to installation. To do this, insert the tip of the cone in to the corresponding shape in the bottom of the compression bracket. The ridge around the tip of the cone will hold the bushing in place until the bracket is installed.
2. Place the compression bracket on roof surface above a supporting structural component, ensuring that the bushings sit flat against the roof surface.
3. Place the bonded EPDM/stainless steel washers over the exposed portion of the bushings, EPDM side down.
4. Insert the fasteners that have been pre-approved for the project through the bonded washer and the bushings.
5. Tighten fasteners until bracket is pulled down snug to the roof surface. The tension required will vary with the project roof deck, age, and type. Be sure not to over tighten the fasteners and strip the threads.