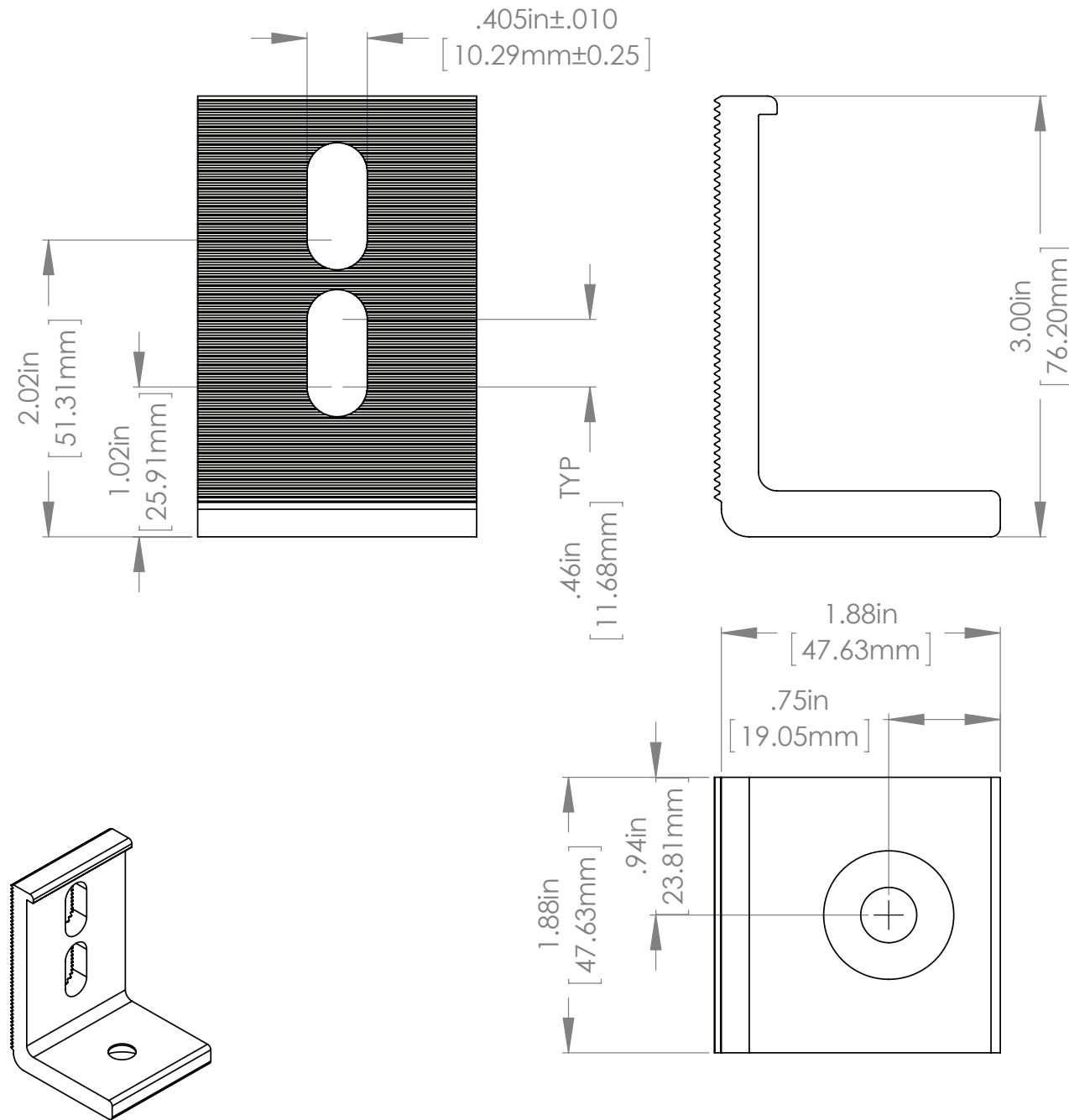
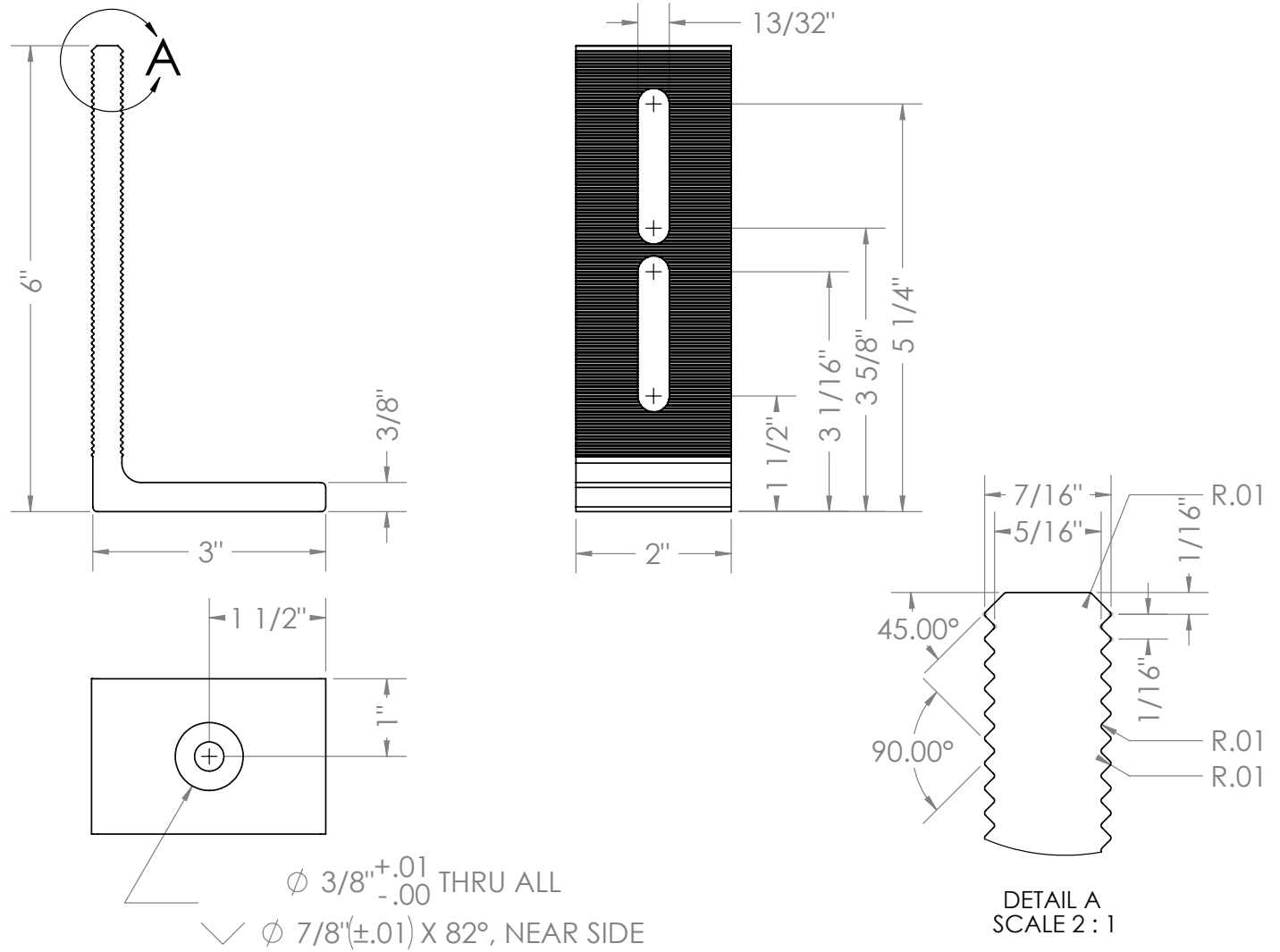
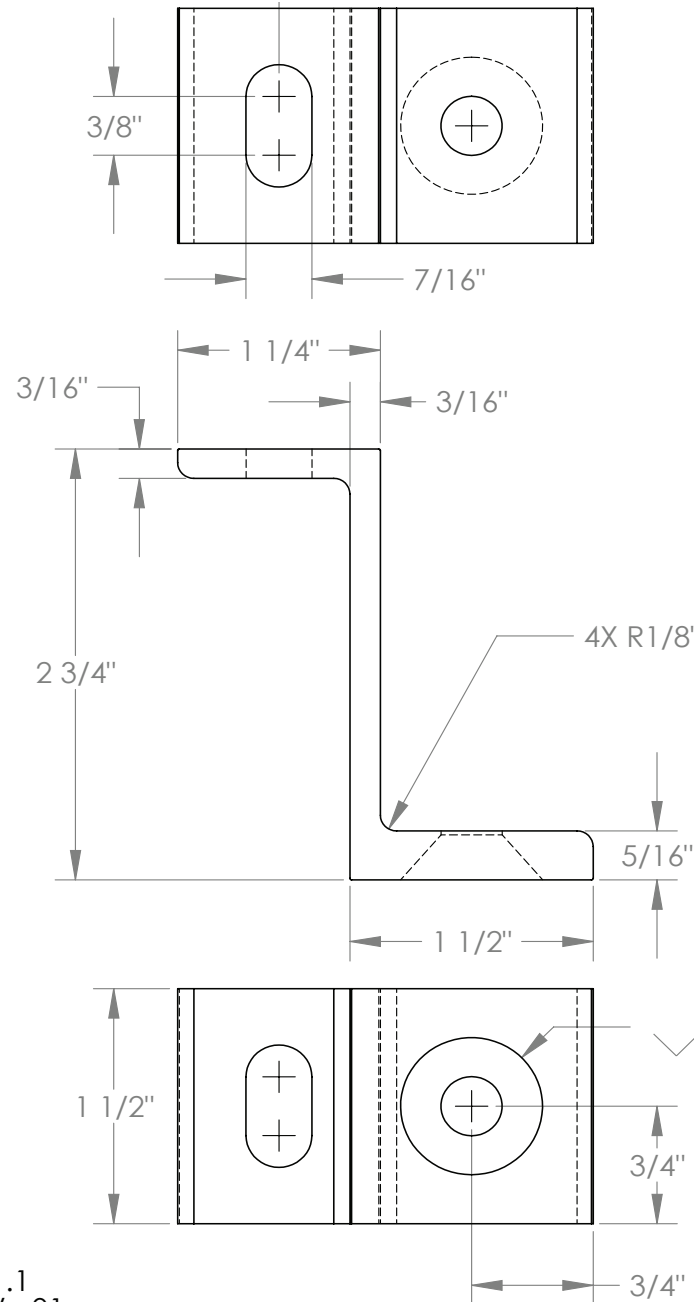


.X = +/- .1
.XX = +/- .01
.XXX = +/- .005

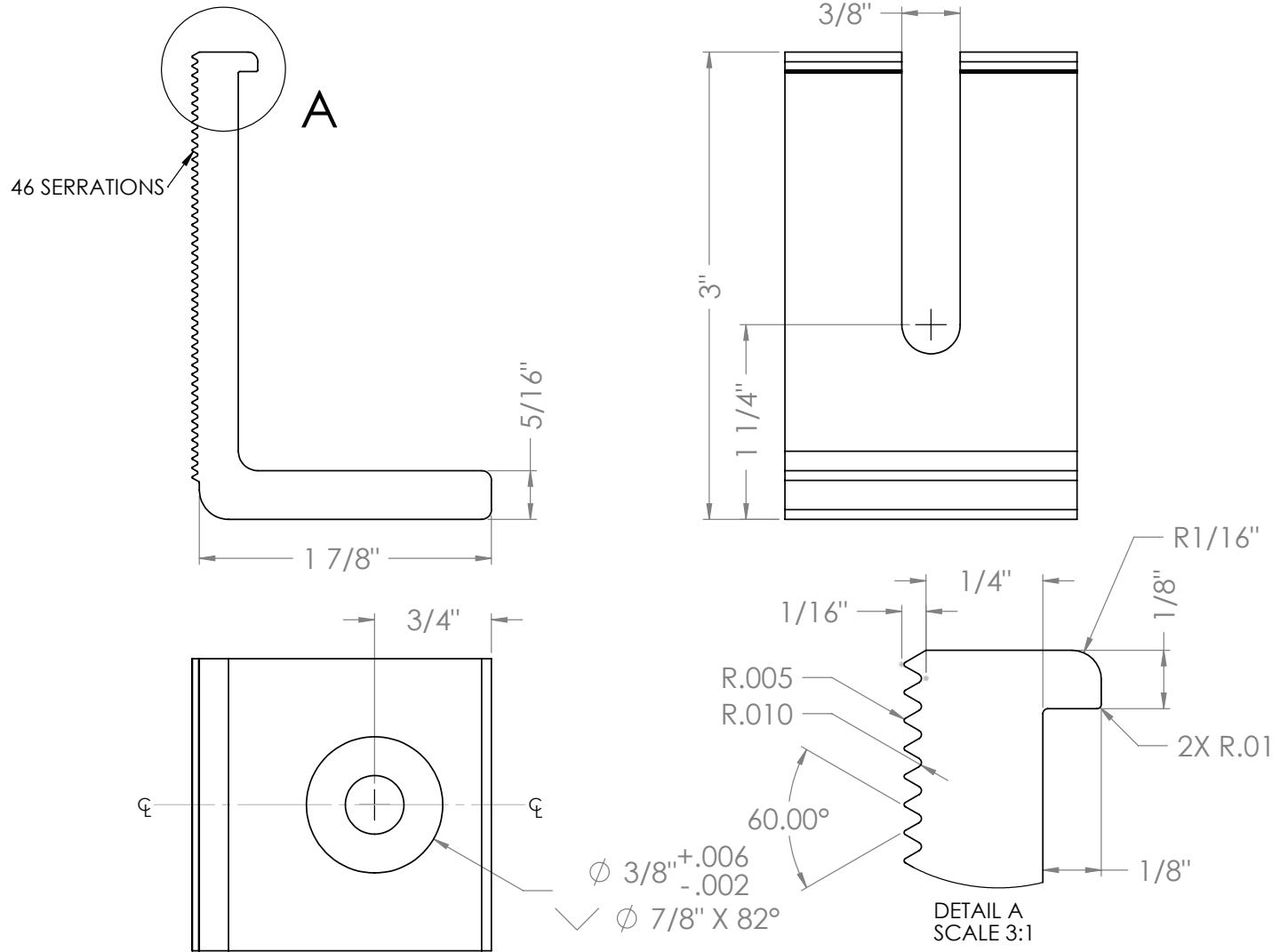






$\phi\ 3/8^{+.006}_{-.002}$ THRU ALL
 $\phi\ 7/8 \pm .010 \times 82^\circ$, NEAR SIDE

.X = +/- .1
 .XX = +/- .01
 .XXX = +/- .005



X = +/- .1
 XX = +/- .01
 XXX = +/- .005

