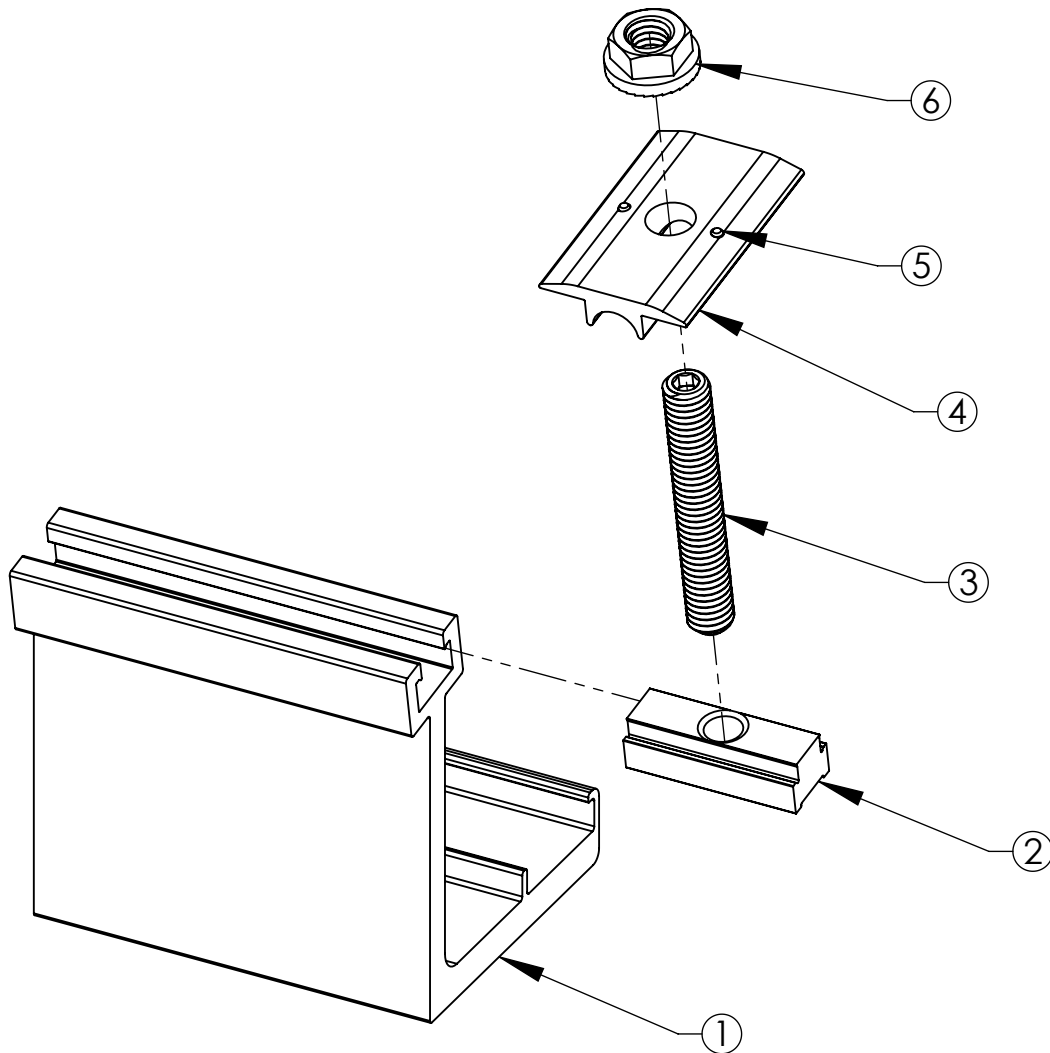


# Assembly Sheet - SR-X-Leg-S UL REF: LS000

1. Installation to be completed in accordance with manufacturer's written specifications and installation instructions.
2. See spec sheet or contact manufacturer for detailed material, finishes, and configuration options.
3. Contact manufacturer for detailed layout.
4. Do not scale drawings.
5. Subject to change without notice.



ITEM NO.	UL REF	PART CODE	DESCRIPTION/MATERIAL	QTY
1	LS001	SR-X-S-BRKT	6000 Series Aluminum	1
2	LS002	SR-X-T-NUT-AL	6000 Series Aluminum	1
3	LS003	SET-C SS-.375-18X2.5	3/8"-16 x 2.5" Cup Point Set Screw - 300 Series SS	1
4	LS004	SR-X-MIDCLAMP	6000 Series Aluminum	1
5	LS005	SETPIN-SS	300 Series SS (pre-installed)	2
6	LS006	N-FL SS-.375-16	3/8"-16 Hex Serrated Flange Nut - 300 Series SS	1



289 Harrel Street  
Morrisville, VT 05661

Toll Free Phone 1.888.766.4273  
Toll Free Fax 1.888.766.9994

Toll Free Phone 1.877.859.3947  
Toll Free Fax 1.888.766.9994

Material: See Spec Sheet

Scale: 1:1 | 2/17/2017 | ASG: - | EFS: -