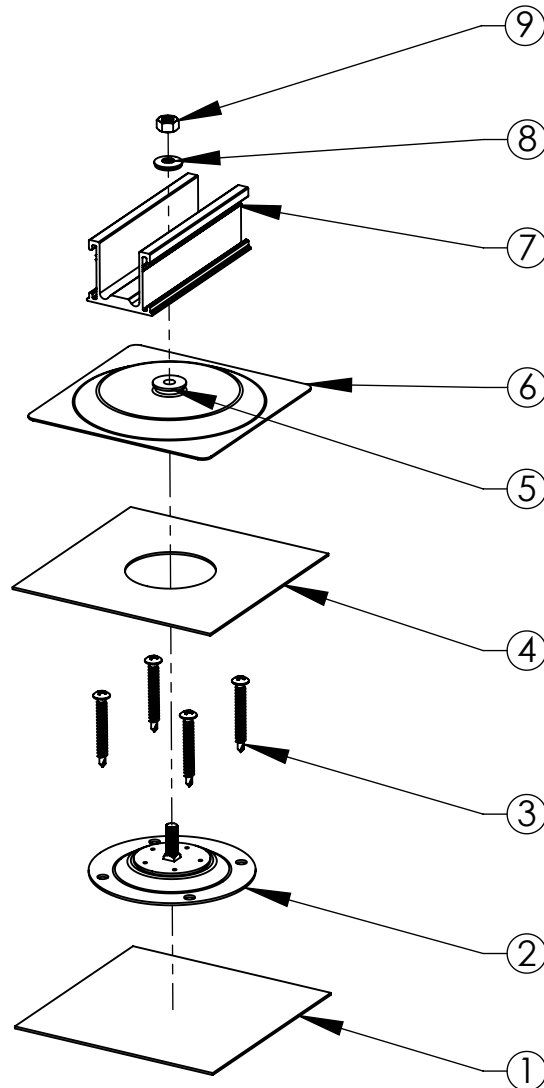


Assembly Sheet - SimpleGrip-SQ

1. Installation to be completed in accordance with manufacturer's written specifications and installation instructions.
2. See spec sheet or contact manufacturer for detailed material, finishes, and configuration options.
3. Contact manufacturer for detailed layout.
4. Do not scale drawings.
5. Subject to change without notice.



ITEM NO.	DESCRIPTION	QTY
1	Roof Level Mastic (Sold Separately)	1
2	SimpleGrip Base	1
3	3" OMG XHD (Sold Separately)	4
4	Upper Level Mastic (Sold Separately)	1
5	GreenFasten Bushing	1
6	Compression Plate	1
7	Rock-It Slide (Sold Separately)	1
8	5/16" EPDM Bonded Washer 300 Series SS	1
9	5/16"-18 Hex Nut 300 Series SS	1



289 Harrel Street
Morrisville, VT 05661

Toll Free Phone 1.888.766.4273
Toll Free Fax 1.888.766.9994

Toll Free Phone 1.877.859.3947
Toll Free Fax 1.888.766.9994

Material: See Spec Sheet

Scale: 1:5

3/22/2017

ASG: -

EFS: X