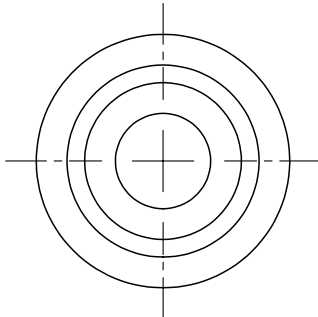
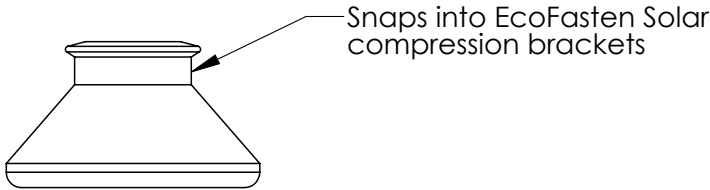
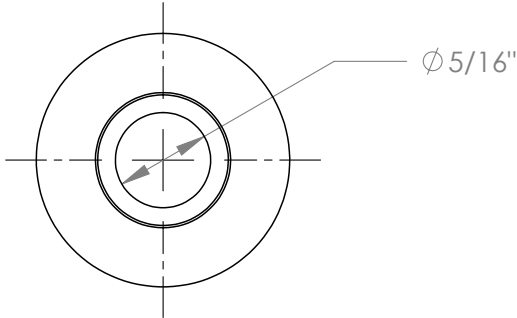
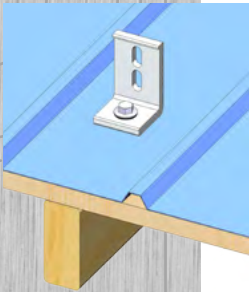
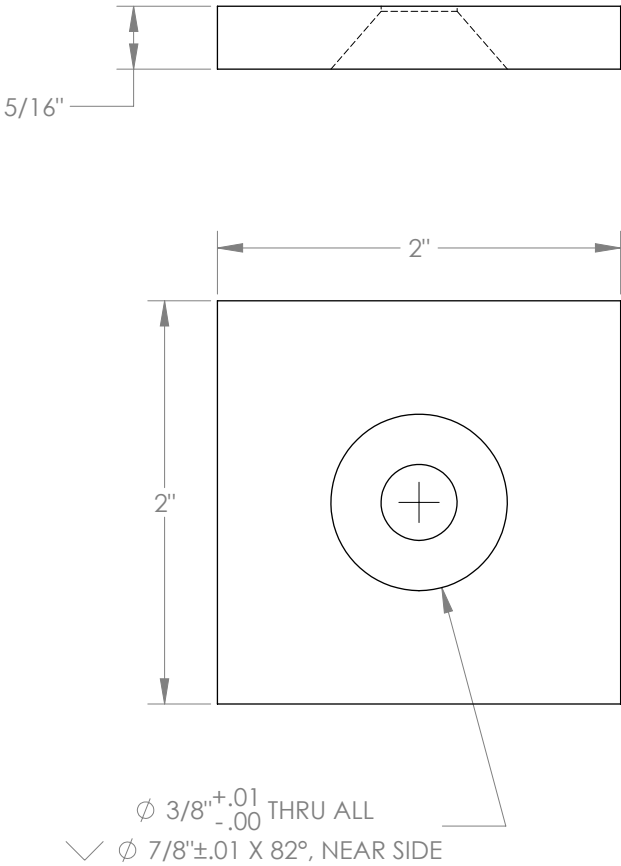


EcoFasten Solar

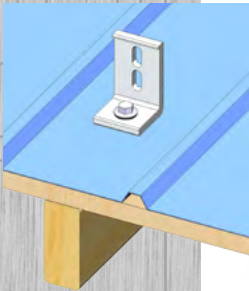




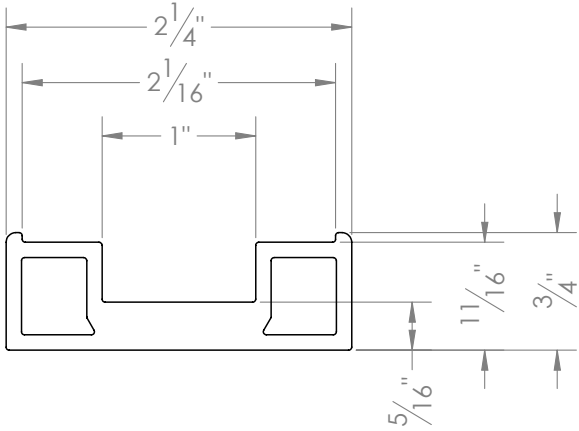
EcoFasten Solar



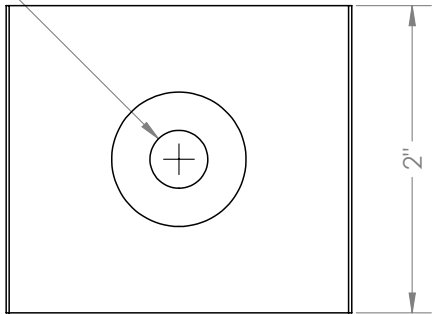
Compression Plate 2" X 2" Mill Aluminum

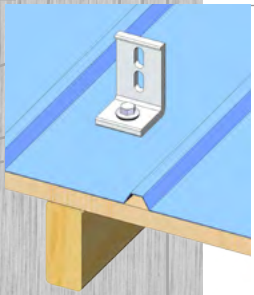


EcoFasten Solar

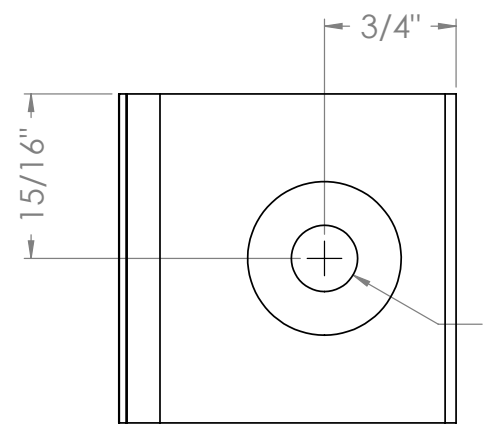
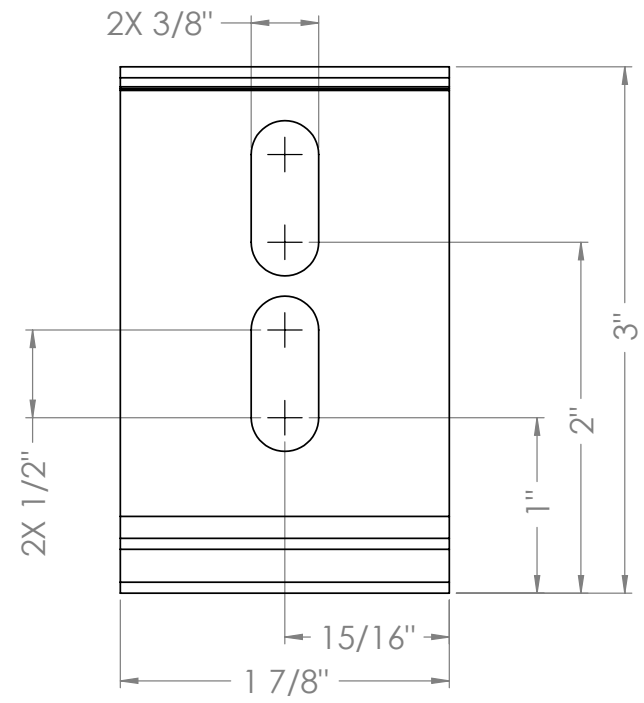
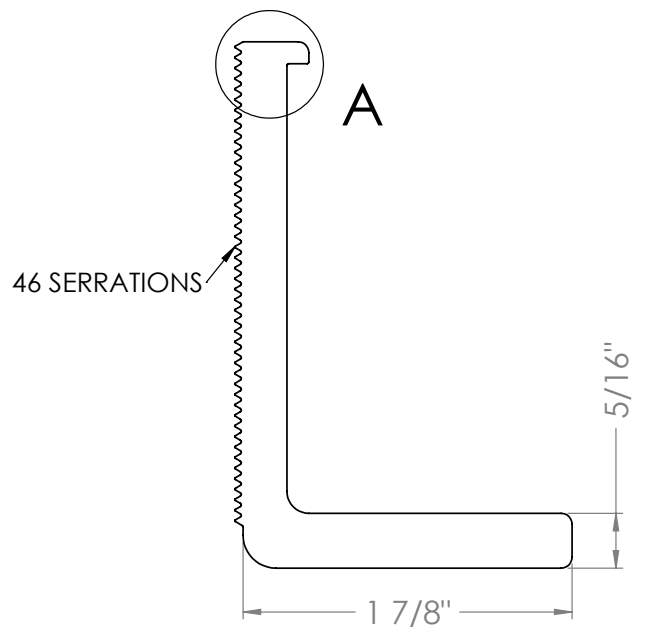


✓  $\phi \frac{3}{8}$ " THRU ALL  
✓  $\phi \frac{7}{8}$ " X 82°, NEAR SIDE

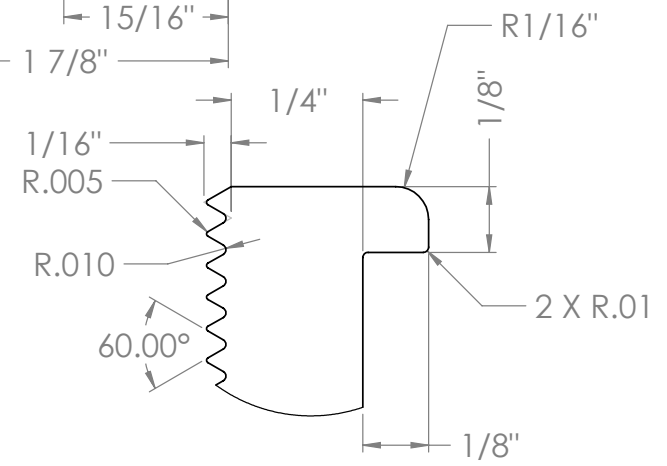




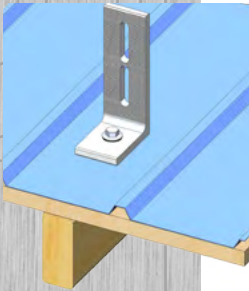
EcoFasten Solar



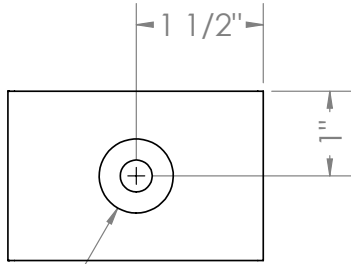
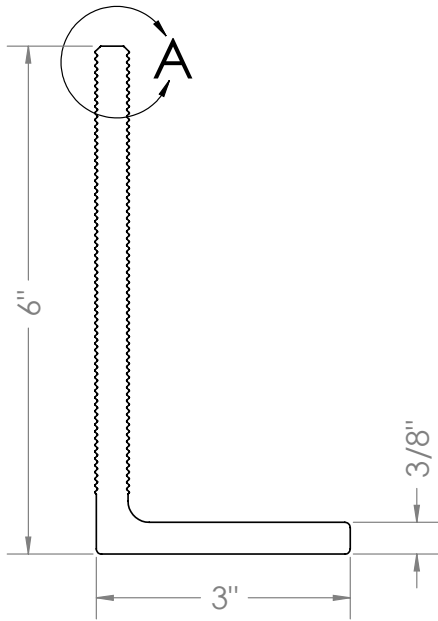
✓  $\phi 3/8^{+.006}_{-.002}$   
 $\phi .875 \pm .010 \times 82^\circ$



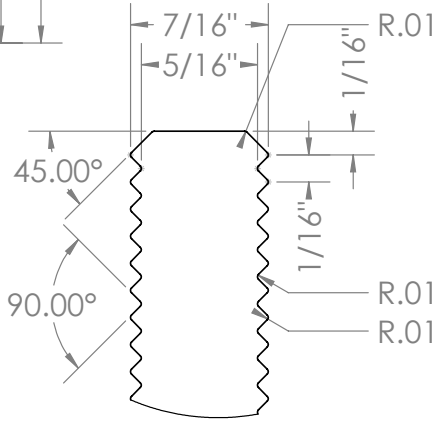
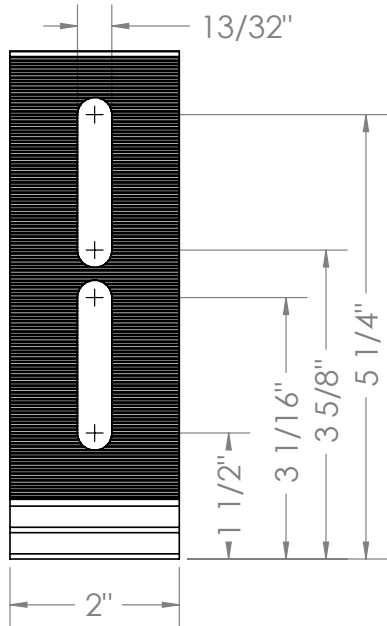
DETAIL A  
 SCALE 3 : 1



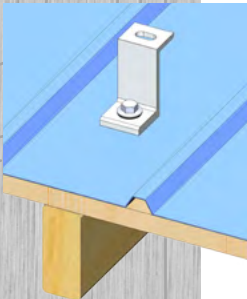
# EcoFasten Solar



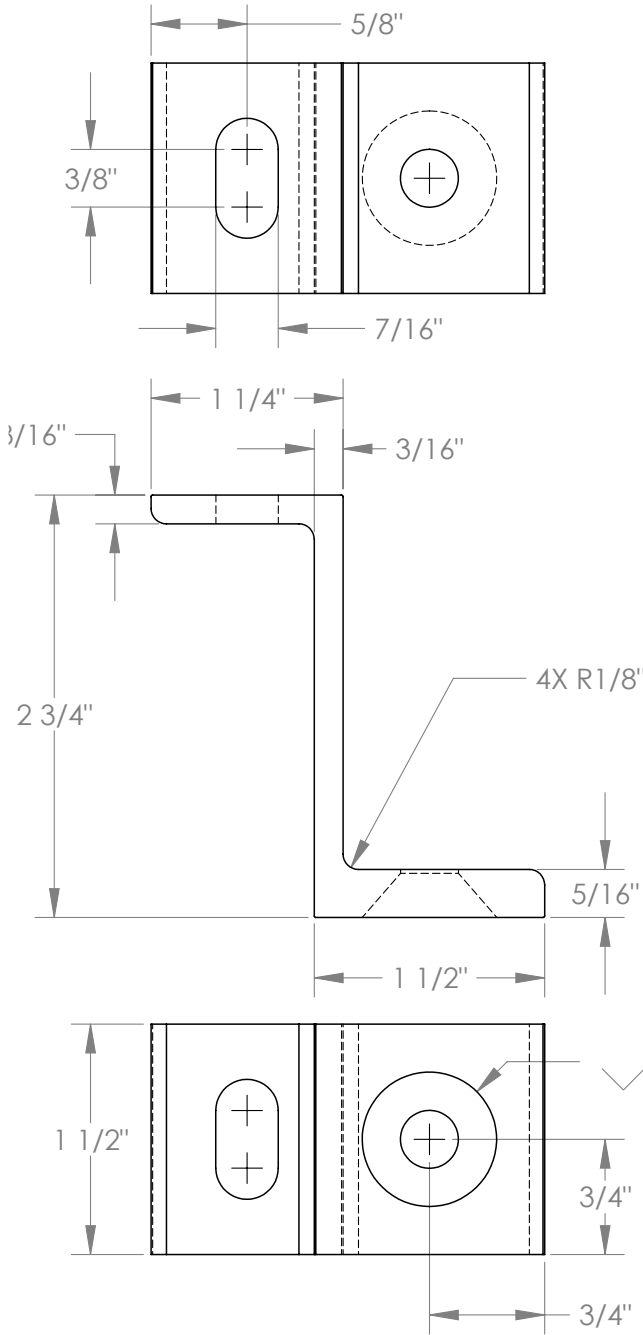
$\phi 3/8^{+.01}_{-.00}$  THRU ALL  
 ✓  $\phi 7/8^{(\pm.01)} \times 82^\circ$ , NEAR SIDE



DETAIL A  
SCALE 2 : 1



# EcoFasten Solar



$\phi\ 3/8"^{+.006}_{-.002}$  THRU ALL  
 $\phi\ 7/8" \pm .010 \times 82^\circ$ , NEAR SIDE