



SIMPLE BLOCK-U[®]

**PENETRATION-FREE STANDING
SEAM METAL ROOF ATTACHMENT**

INSTALLATION GUIDE

REVISION: 1/24/25

VERSION: V3.1

SIMPLEBLOCK-U

INSTALLATION GUIDE



EcoFasten[®]
For Installers. By Installers.

CLICKING THE PAGE NAME WILL TAKE YOU TO THAT PAGE

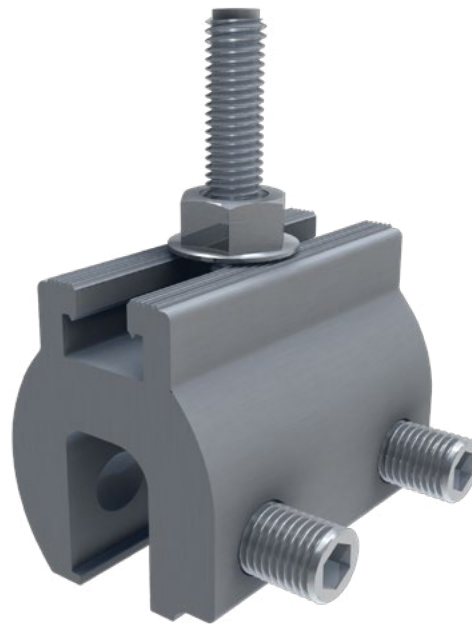
| | |
|--|--------------------------------|
| <u>TABLE OF CONTENTS</u> | <u>PAGE 01</u> |
| <u>FEATURES & BENEFITS</u> | <u>PAGE 02</u> |
| <u>COMPATIBILITY</u> | <u>PAGE 03</u> |
| <u>COMPONENTS</u> | <u>PAGE 04</u> |
| <u>INSTALLATION</u> | <u>PAGE 05</u> |
| <u>SPECIFICATIONS</u> | <u>PAGE 07</u> |

SIMPLEBLOCK-U

INSTALLATION GUIDE



EcoFasten[®]
For Installers. By Installers.



SIMPLEBLOCK-U

SimpleBlock[®]-U has a streamlined design that offers a lightweight yet durable solution for mounting a variety of brackets to a standing seam roof. Two oval-point set screws are pre-installed, saving time on installation and eliminating the need to penetrate the roof.

FEATURES

- Installs on vertical, double-lock standing seam profiles
- No roof penetrations required
- Open T-slot for North-South adjustability
- The technology in this product is licensed by S-5!

FEATURES + BENEFITS

SIMPLEBLOCK-U

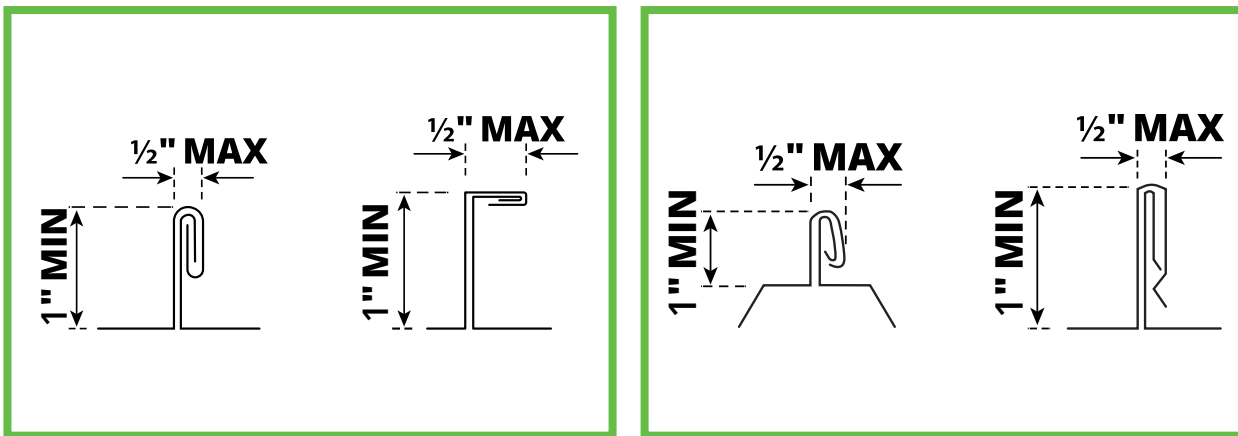
INSTALLATION GUIDE



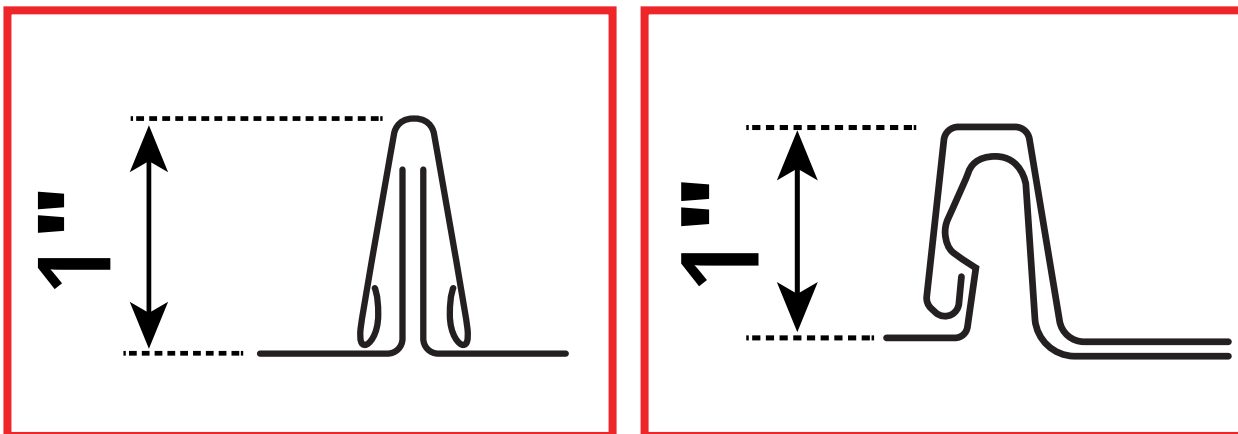
STANDING SEAM PROFILES COMPATIBILITY

SimpleBlock-U is compatible with standing seam roofs (folding and snapping styles) with a vertical seam height of at least 1.0" and a horizontal seam width maximum of 0.5".

ACCEPTABLE PROFILES



UNACCEPTABLE PROFILES



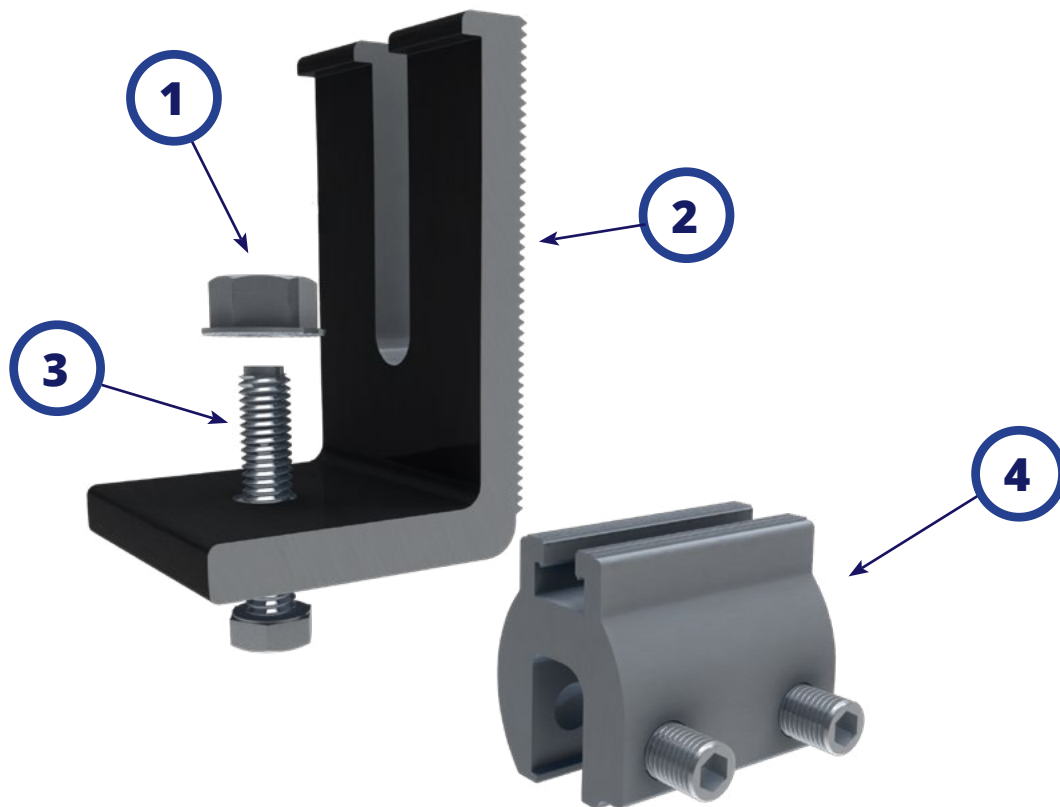
COMPATIBILITY

SIMPLEBLOCK-U

INSTALLATION GUIDE



SYSTEM COMPONENTS



1. 5/16" SERRATED FLANGE NUT

**2. SCL-101 BLK 3"
COMPRESSION BRACKET**

3. 5/16-18 1" HEX BOLT

**4. SIMPLEBLOCK-U-AL
ASSEMBLY**

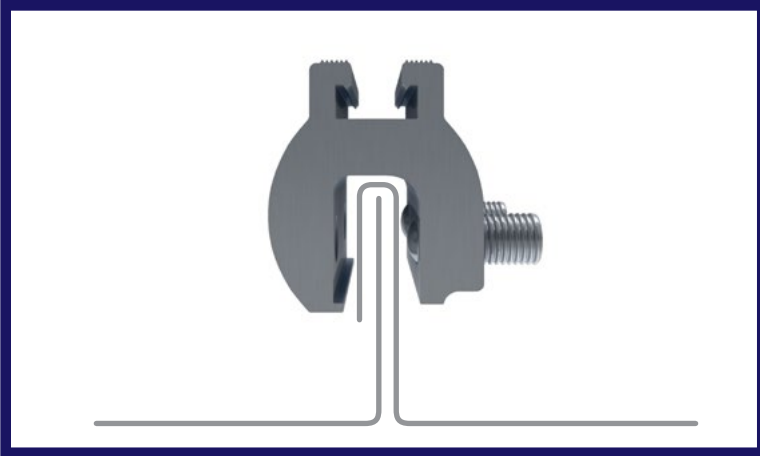
COMPONENTS

SIMPLEBLOCK-U

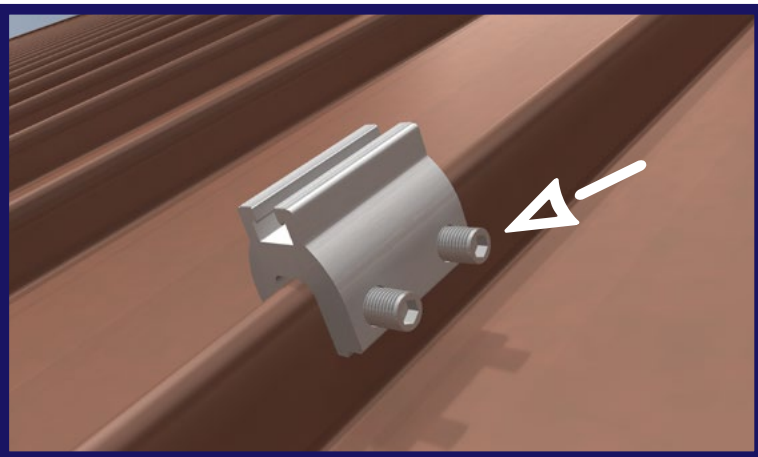
INSTALLATION GUIDE



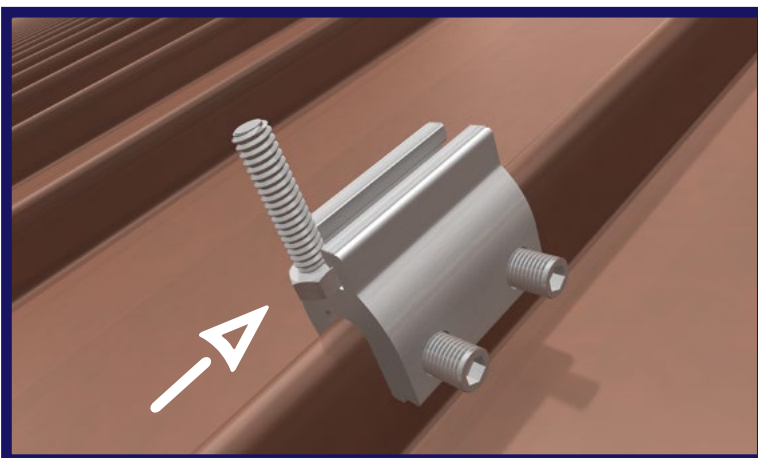
INSTALLING SIMPLEBLOCK-U



Position SimpleBlock assembly on the panel seam. Make sure the block is fully seated on the metal seam.



Torque set screws to 150 in-lbs using included 3/16" hex drive.



Slide hex bolt into the channel on the top of the SimpleBlock-U assembly.

INSTALLATION

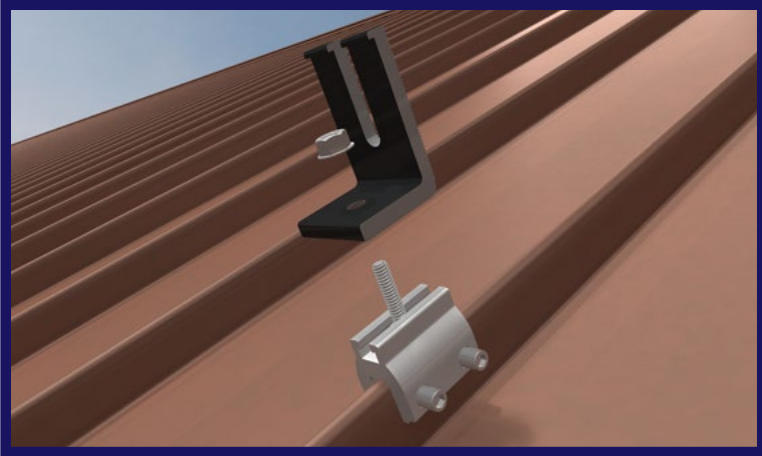
SIMPLEBLOCK-U

INSTALLATION GUIDE

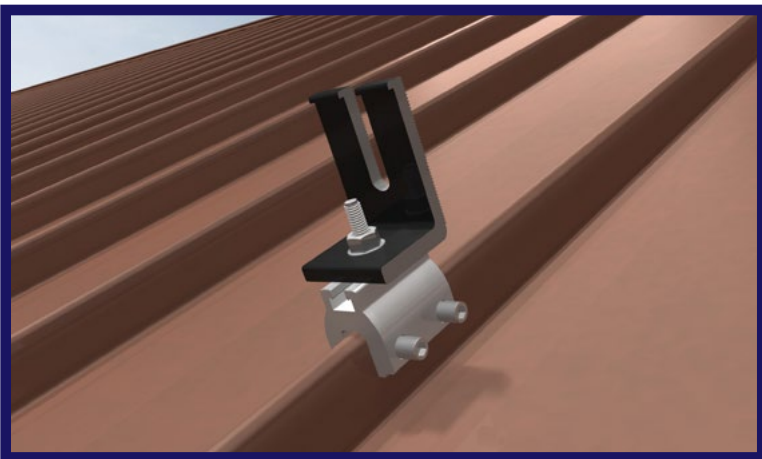


EcoFasten[®]
For Installers. By Installers.

INSTALLING SIMPLEBLOCK-U



Place the bracket onto the installed hex bolt followed by the serrated flange nut.



Torque flange nut to 150 in-lbs.

INSTALLATION

SIMPLEBLOCK-U

INSTALLATION GUIDE



EcoFasten[®]
For Installers. By Installers.

DISCLAIMER

This manual describes proper installation procedures and provides necessary standards required for product reliability. Warranty details are available on the website. All installers must thoroughly read this manual and have a clear understanding of the installation procedures prior to installation. Failure to follow these guidelines may result in property damage, bodily injury, or even death.

IT IS THE INSTALLER'S RESPONSIBILITY TO:

- Ensure safe installation of all electrical aspects of the array. All electrical installation and procedures should be conducted by a licensed and bonded electrician or solar contractor.
- All work must comply with national, state and local installation procedures, product and safety standards, including the proper use of PPE.
- Comply with all applicable local or national building and fire codes, including any that may supersede this manual.
- Ensure all products are appropriate for the installation, environment, and array under the site's loading conditions.
- Use only EcoFasten parts or parts recommended by EcoFasten; substituting parts may void any applicable warranty.
- Review the Design Assistant and Certification Letters to confirm design specifications.
- Ensure provided information is accurate. Issues resulting from inaccurate information are the installer's responsibility.
- Ensure bare copper grounding wire does not contact aluminum and zinc-plated steel components, to prevent risk of galvanic corrosion.
- If loose components or loose fasteners are found during periodic inspection, re-tighten immediately. Any components showing signs of corrosion or damage that compromise safety shall be replaced immediately.
- Provide an appropriate method of direct-to-earth grounding according to the latest edition of the National Electrical
- Code, including NEC 250: Grounding and Bonding, and NEC 690: Solar Photovoltaic Systems.
- Disconnect AC power before servicing or removing modules, AC modules, microinverters and power optimizers.
- Review module and any 3rd party manufacturer's documentation for compatibility and compliance with warranty terms and conditions.
- Module mounting rails shall not be used as scaffolding, a roof jack, or any form of an anchoring point for roof personnel.
- Ensure that the roof is in good condition prior to installing any EcoFasten components.

DISCLAIMER

The logo for CLICKFIT, with 'CLICK' in white and 'FIT' in orange, followed by a registered trademark symbol.

INSTALLATION GUIDE

The EcoFasten logo, featuring a stylized sun icon to the left of the text 'EcoFasten' in white, with the tagline 'For Installers. By Installers.' below it.

FOR INSTALLERS. BY INSTALLERS.

Under the PanelClaw brand and Enstall's corporate umbrella, EcoFasten has established a reputation as one of the industry's leading innovators by providing expert solutions for mounting solar PV on any roof. EcoFasten's broad portfolio of solar rooftop mounting systems and attachments stems from the direct needs of solar PV installers. EcoFasten takes pride in providing the right solution for every application.



1295 W. WASHINGTON STREET, SUITE 110, TEMPE, AZ 85288
877-859-3947 | INFO@ECOFASTENSOLAR.COM | ECOFASTENSOLAR.COM