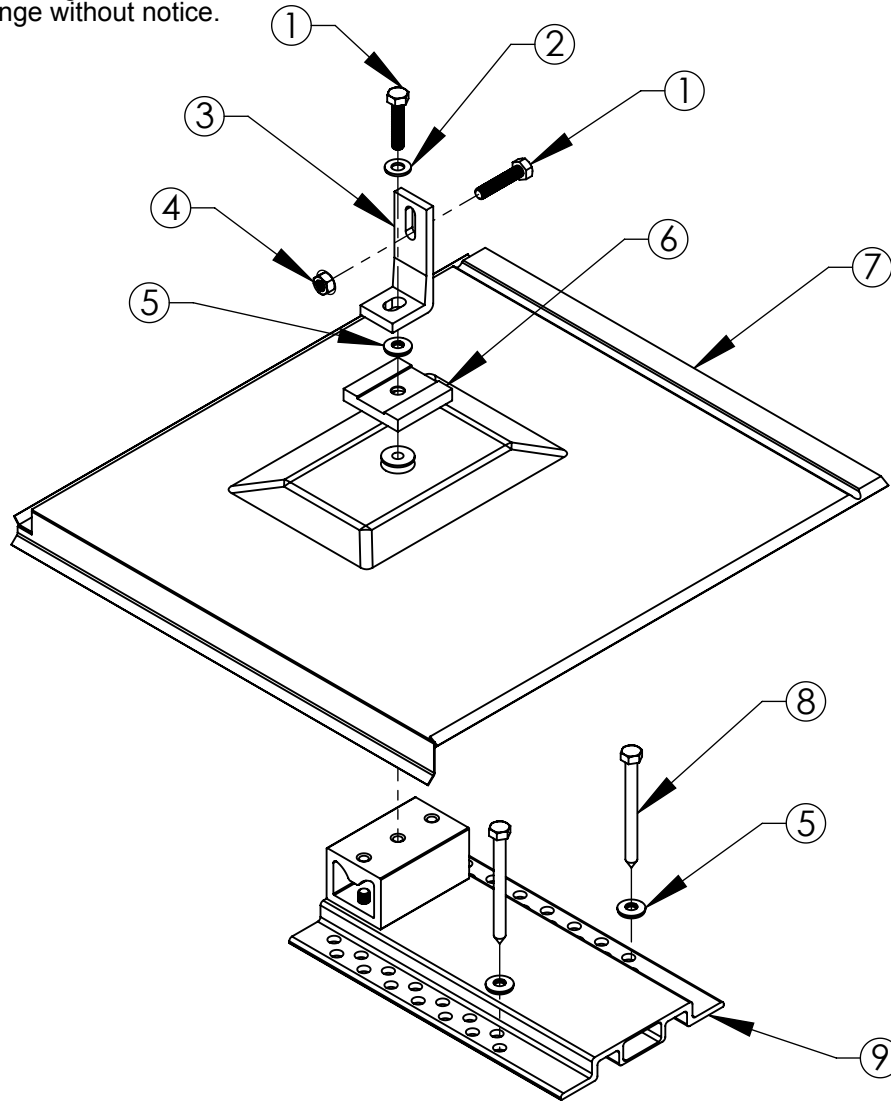


# Assembly Sheet - Tile Flashing System - Flat

1. Installation to be completed in accordance with manufacturer's written specifications and installation instructions.
2. See spec sheet or contact manufacturer for detailed material, finishes, and configuration options.
3. Contact manufacturer for detailed layout.
4. Do not scale drawings.
5. Subject to change without notice.



ITEM NO.	DESCRIPTION	QTY
1	5/16"-18 X 1.5" Fully Threaded Hex Head Cap Screw 18.8 SS	2
2	5/16" Flat Washer 18.8 SS	1
3	Customer Supplied Attachment Bracket	1
4	5/16"-18 Hex Flange Nut 18.8 SS	1
5	5/16" ID EPDM Bonded Washer 18.8 SS	3
6	CP-SQ-Slotted	1
7	EcoFasten Solar Flat Tile Flashing	1
8	5/16" x 4.0" or 4.5" Hex Head Lag Screw 18.8 SS	2
9	Flat Tile Base	1



289 Harrel Street  
Morrisville, VT 05661

Toll Free Phone 1.888.766.4273  
Toll Free Fax 1.888.766.9994

Toll Free Phone 1.877.859.3947  
Toll Free Fax 1.888.766.9994

Material: See Spec Sheet

Scale: 1:5

6/6/2014

ASG: -

EFS: X