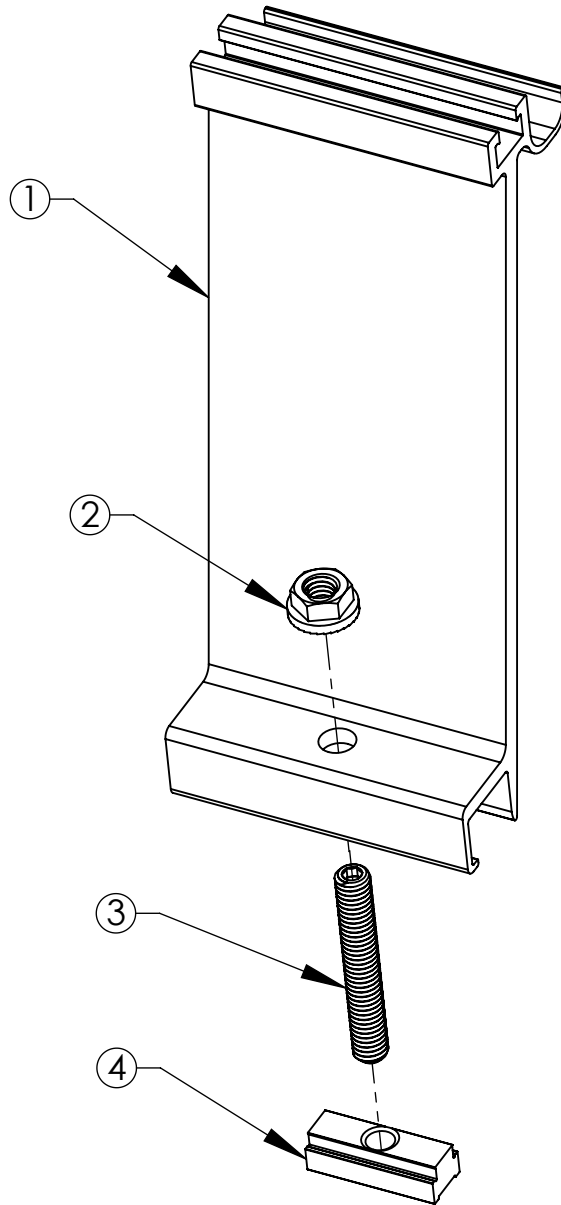


# Assembly Sheet - SR-X-Leg-Extension UL REF: LE000

1. Installation to be completed in accordance with manufacturer's written specifications and installation instructions.
2. See spec sheet or contact manufacturer for detailed material, finishes, and configuration options.
3. Contact manufacturer for detailed layout.
4. Do not scale drawings.
5. Subject to change without notice.



ITEM NO.	UL REF	PART CODE	DESCRIPTION	QTY
1	LE001	SR-X-EXTENSION	6000 Series Aluminum	1
2	LE006	N-FL SS-.375-16	3/8"-16 Hex Serrated Flange Nut - 300 Series SS	1
3	LE003	SET-C SS-.375-16X2.5	3/8"-16 x 2.5" Cup Point Set Screw - 300 Series SS	1
4	LE002	SR-X-T-NUT-AL	6000 Series Aluminum	1



289 Harrel Street  
Morrisville, VT 05661

Toll Free Phone 1.888.766.4273  
Toll Free Fax 1.888.766.9994

Toll Free Phone 1.877.859.3947  
Toll Free Fax 1.888.766.9994

Material: See Spec Sheet

Scale: DNS 2/17/2017 ASG: - EFS: X