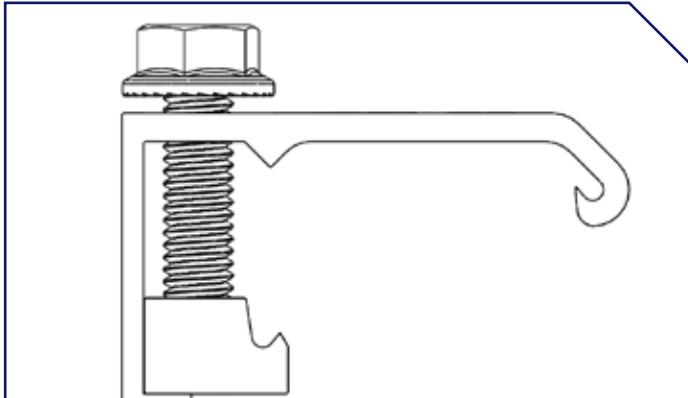
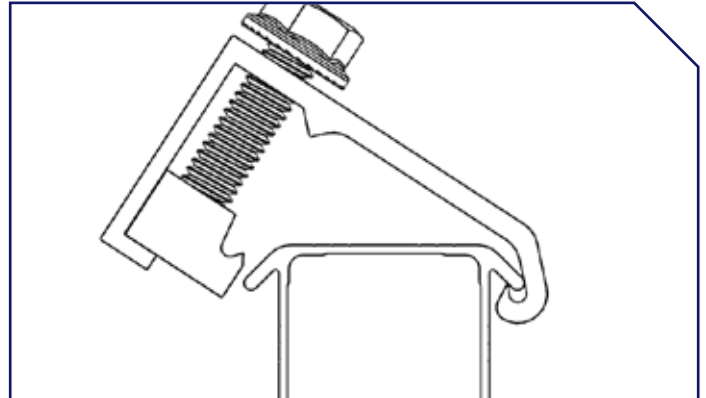


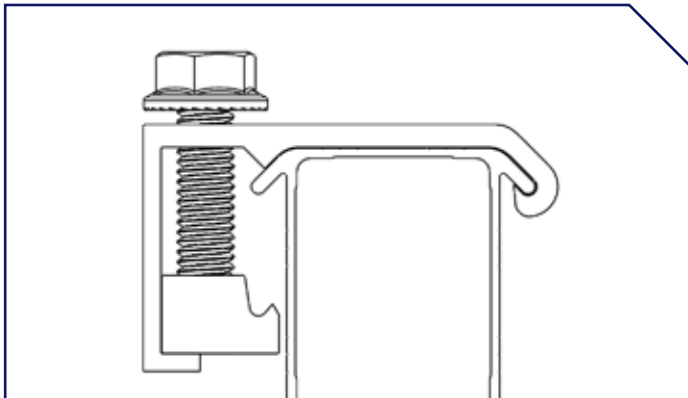
MLPE CLIP INSTALLATION



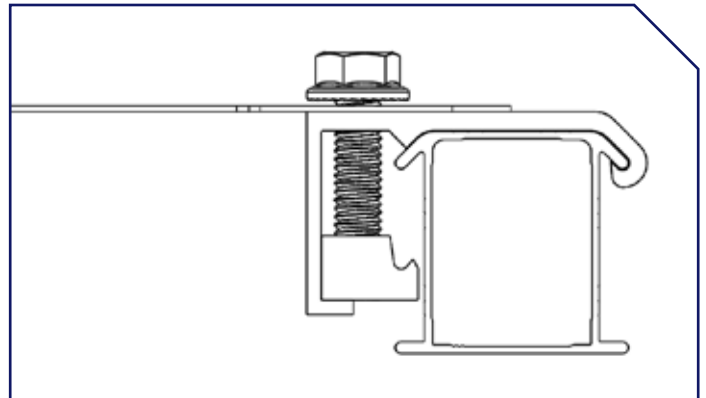
Lower the MLPE clip to the rail



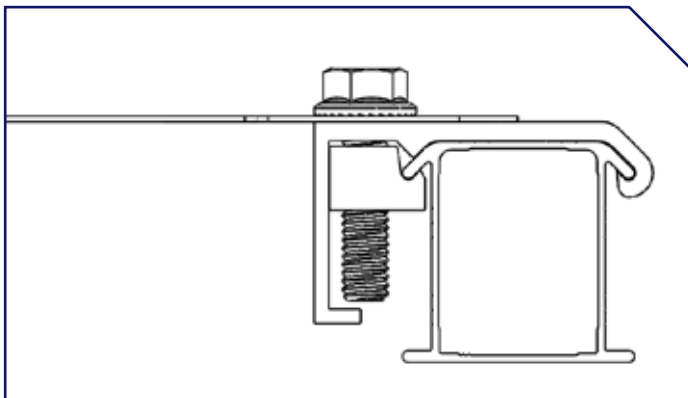
Tilt and hook the mount around the top "dog ear" of the rail



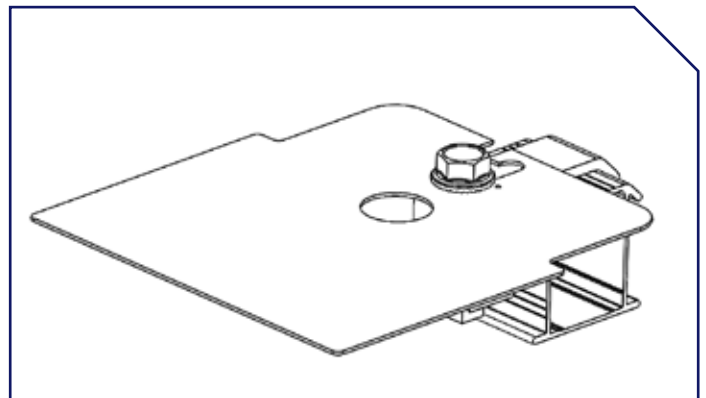
Set the MLPE clip flush with the top of the rail



Slide the microinverter flange between the MLPE clip and the serrated bolt flange



Tighten the bolt to 144 in-lbs



Repeat this process for all other microinverter and/or optimizer installations