

CORRU SLIDE®

WATERTIGHT, ADJUSTABLE HINGED MOUNT

CorruSlide is engineered to universally fit nearly any corrugated metal roof profile. The adjustable hinged mount attaches to the sides of the panel ridges, avoiding low areas where standing water may form. CorruSlide provides North-South & East-West adjustability. The pre-installed EPDM gaskets and five self-tapping screws with EPDM washers add to the mounts overall rugged, watertight fabrication.

FEATURES & BENEFITS

- Patented Watertight Technology
- Versatile hinge design fits any profile
- Pre-installed EPDM gasket tape forms and impenetrable moisture barrier
- Five self-tapping with EPDM washers ensure optimal strength
- Ideal for use in both commercial and residential applications

MULTIPLE WATERTIGHT FASTENERS FOR OPTIMUM STRENGTH



ROOF TYPE

Corrugated & trapezoidal metal roofs



RACKING

Rail-less & rail-based

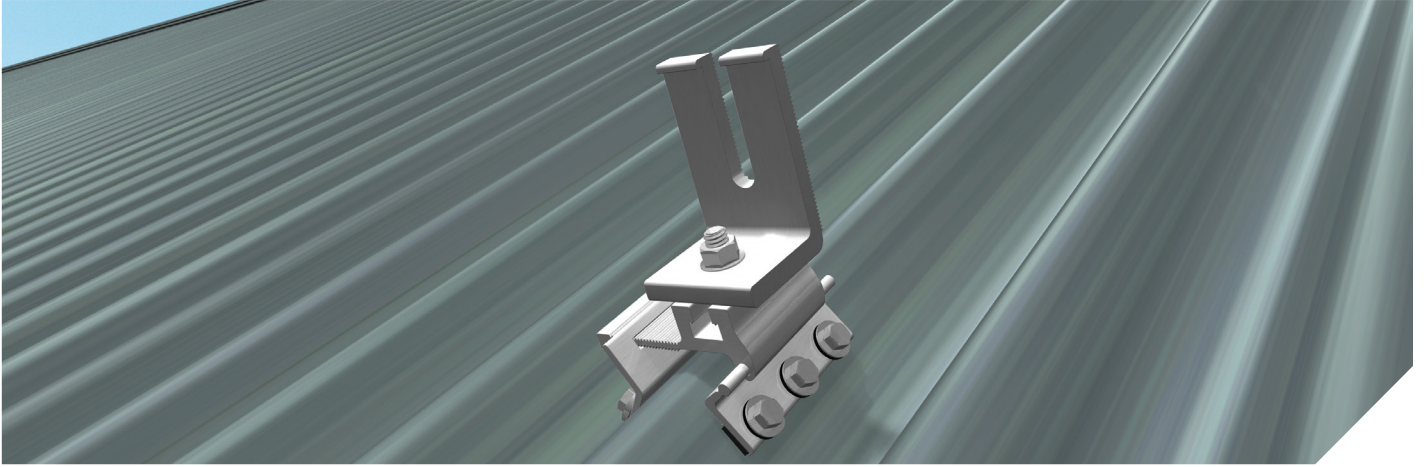


ATTACHMENT

Clamps to metal ridge

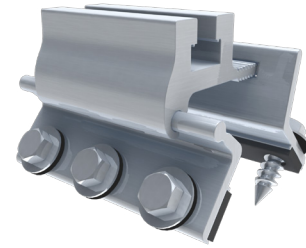


CORRUSLIDE. WATERTIGHT, ADJUSTABLE HINGED MOUNT



	PRODUCT IMAGE	PART NUMBER	PART DESCRIPTION	BOX QUANTITY	PALLET QUANTITY
MOUNT	<i>ASSEMBLED WITH EPDM GASKET, INCLUDES (5) SELF TAPPING SCREWS WITH EPDM WASHERS, (1) SS HEX BOLT & (1) SS FLANGE NUT</i>				
		CORRUSLIDE	CORRUGATED METAL BRKT	50	3600
BRACKETS	<i>INCLUDES (1) 3/8"-16 X 1 1/4" HEX BOLT AND (1) 3/8"-16 FLANGE NUT FOR RACKING</i>				
		1500004	CF L-FOOT ASSY <small>(NO HARDWARE NEEDED)</small>	50	5000
		SCL-101-3 ANOD BLK	SCL-101 3" BRKT ANOD BLK	50	4800
		L-102-3-ANOD BLK	L-102-3" BRKT ANOD BLK WHW	50	5000
		SCL-101-3	SCL-101 3" BRKT-AL	50	4800
	*L-102-6	L-102 6" BRKT-AL	50	NOT OFFERED	

CORRUSLIDE



CHOOSE YOUR BRACKET:



1500004



L-102-3-ANOD BLK



L-102-6*



SCL-101-3
SCL-101-3 ANOD BLK

CORRUSLIDE IS ALSO COMPATIBLE WITH THIRD-PARTY BRACKETS

* SPECIAL ORDER ITEM

The hinged, tongue & groove design allows corruslide to fit most corrugated profiles

