

# SIMPLE BLOCK-U<sup>®</sup>

## RAIL-BASED MOUNT FOR STANDING SEAM ROOFS

SimpleBlock<sup>®</sup>-U has a streamlined design that offers a lightweight yet durable solution for mounting a variety of brackets to a standing seam roof. Two oval-point set screws are pre-assembled, saving time on installation and eliminating the need to penetrate the roof.

### FEATURES & BENEFITS

- UL 2703 certified
- Install on vertical standing seam profiles
- No roof penetrations required
- North-South adjustability

## TWO PRE-INSTALLED SCREWS FOR EASY ATTACHMENT OF ANY BRACKET



Standing  
seam roofs

ROOF TYPE



Rail-based

RACKING



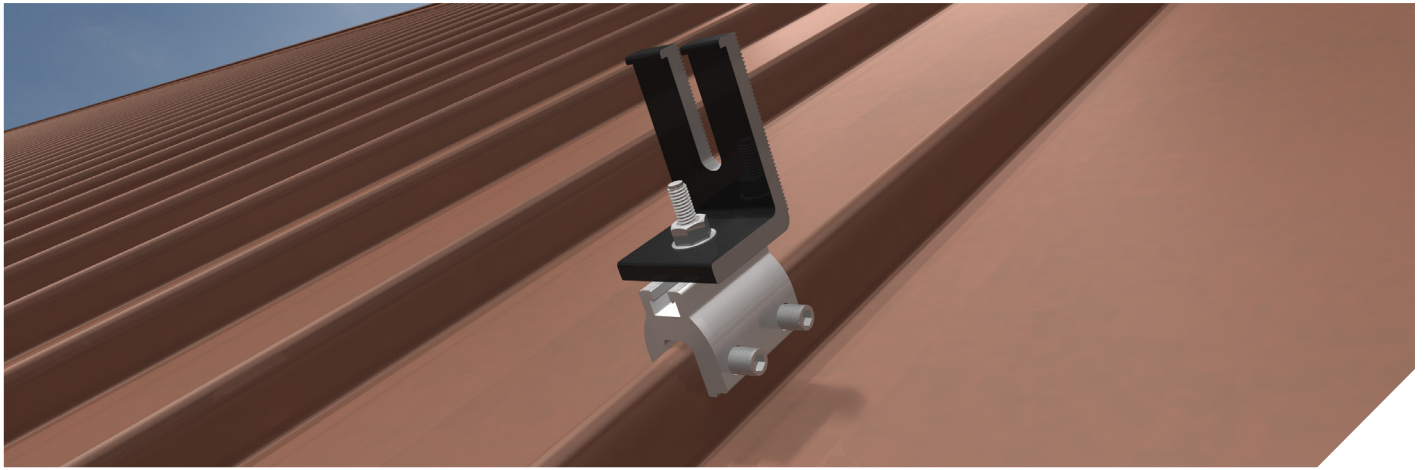
Direct attach to  
standing seam







ATTACHMENT



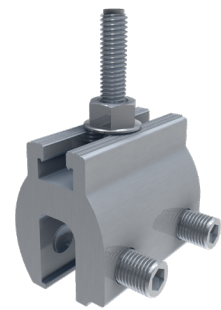
# SIMPLEBLOCK-U®

## RAIL-BASED MOUNT FOR STANDING SEAM ROOFS



PRODUCT IMAGE	PART NUMBER	PART DESCRIPTION	BOX QUANTITY	PALLET QUANTITY	
<b>ASSEMBLED WITH (2) SS SET SCREWS OP 3/8"-24X7/8", (1) SS HEX TAP BOLT 5/16"-18X1.25" AND (1) SS HEX NUT 5/16"-18</b>					
MOUNT		<b>SIMPLEBLOCK-U-AL</b>	2" SIMPLEBLOCK SSR-AL	25	4400
	<b>INCLUDES (1) 3/8"-16 X 1 1/4" HEX BOLT AND (1) 3/8"-16 FLANGE NUT FOR RACKING</b>				
BRACKETS		<b>1500004</b>	CF L-FOOTASSY <small>(NO HARDWARE NEEDED)</small>	50	5000
		<b>SCL-101-3 ANOD BLK</b>	SCL-101 3" BRKT ANOD BLK	50	4800
		<b>L-102-3-ANOD BLK</b>	L-102-3" BRKT ANOD BLK WHW	50	5000
		<b>SCL-101-3</b>	SCL-101 3" BRKT-AL	50	4800
		<b>*L-102-6</b>	L-102 6" BRKT-AL	50	NOT OFFERED

### SIMPLEBLOCK-U:



### CHOOSE YOUR BRACKET:



1500004



L-102-3-ANOD BLK



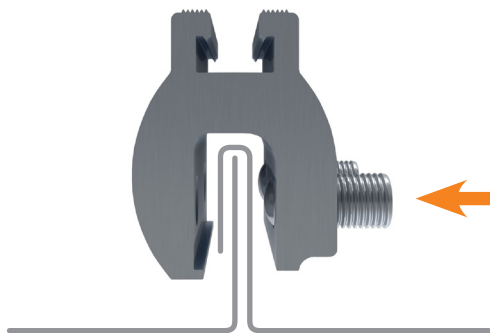
L-102-6\*



SCL-101-3  
SCL-101-3 ANOD BLK

SIMPLEBLOCK-U IS ALSO COMPATIBLE WITH THIRD-PARTY BRACKETS

\* SPECIAL ORDER ITEM



Pre-assembled oval-point set screws securely fasten the block to a standing seam.

SimpleBlock-U fits most standing seam profiles