

SIMPLEBLOCK^{PV}

RAIL-LESS MOUNTING SYSTEM FOR STANDING SEAM ROOFS

SimpleBlock-PV is an innovative UL 2703 certified rail-less racking system that utilizes EcoFasten end spacers and integrated bonding mid clamps for use on standing seam metal roofs. The block utilizes pre-installed oval-point set screws for a fast installation that does not require penetrating the roof.

FEATURES & BENEFITS

- Integrated bonding
- Two pre-installed oval-point set screws for fast installation
- No roof penetrations required
- North-South adjustability

THREE COMPONENT SYSTEM ELIMINATES THE NEED TO DRILL INTO ROOFTOP



ROOF TYPE

Standing seam roofs



RACKING

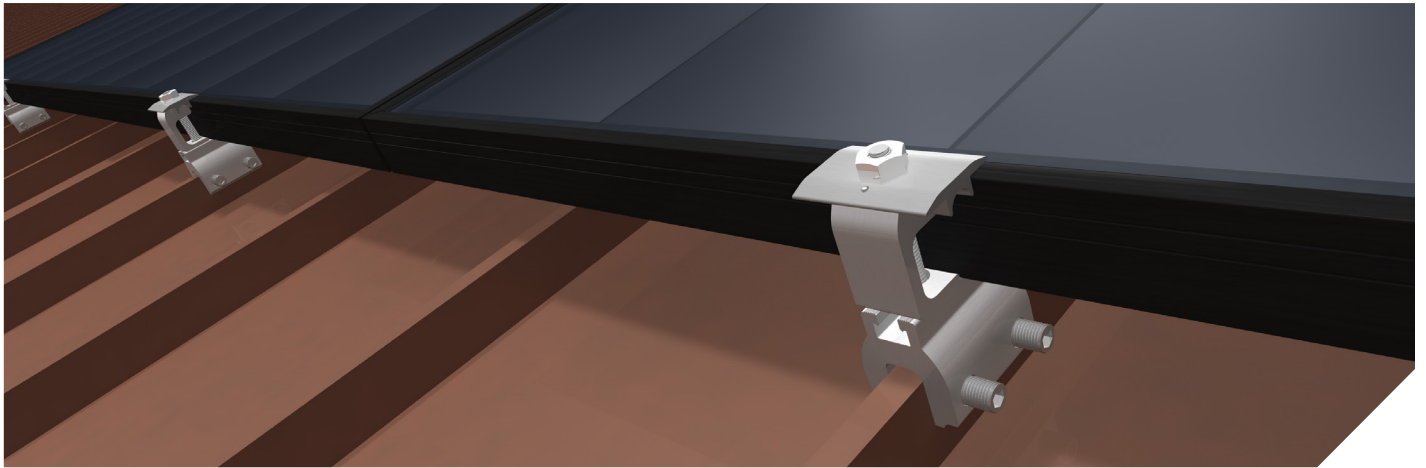
Rail-less



ATTACHMENT

Direct attach to seam

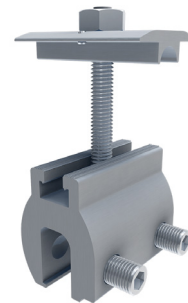




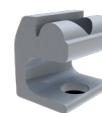
	PRODUCT IMAGE	PART NUMBER	PART DESCRIPTION	BOX QUANTITY	PALLET QUANTITY
INCLUDES (2) SS SET SCREWS OP 3/8"-24X7/8", (1) SS HEX BOLT, (1) SS HEX NUT & (1) MIDCLAMP WITH (2) SET PINS					
MOUNT		SIMPLEBLOCK-PV	SIMPLEBLOCK W/ MIDCLAMP HW	50	1800
SPACERS		SR-X END 32	SIMPLERACK 32MM END SPACER	50	NOT OFFERED
		SR-X END 35	SIMPLERACK 35MM END SPACER	50	NOT OFFERED
		SR-X END 40	SIMPLERACK 40MM END SPACER	50	NOT OFFERED
SHIPS ASSEMBLED WITH (1) SS FLANGE NUT 5/16", (1) SS HEX TAP BOLT 5/16"-18X1/2" & (1) MIDCLAMP WITH (2) SET PINS					
COUPLING		SIMPLEBLOCK-PV COUPL	MIDCLAMP W/MLPE CLIP & HW	50	4500
ASSEMBLED WITH (1) CARRIAGE BOLT & (1) FLANGE NUT					
ACCS.		ROCK-IT CLIP 2.0	ROCK-IT CLIP 2.0 W/MLPE CLIP	300	10800

* SPECIAL ORDER ITEM

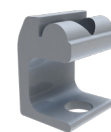
SIMPLEBLOCK-PV:



CHOOSE YOUR SPACER:



SR-X END 32



SR-X END 35

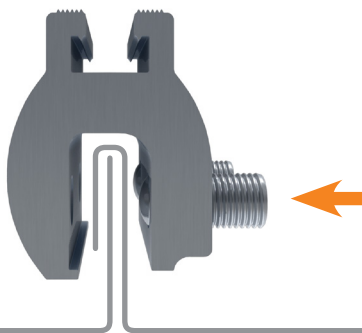


SR-X END 40

COUPLING:



SIMPLEBLOCK-PV COUPL



Pre-assembled oval-point set screws securely fasten the block to a standing seam.

SimpleBlock-PV fits most standing seam profiles