

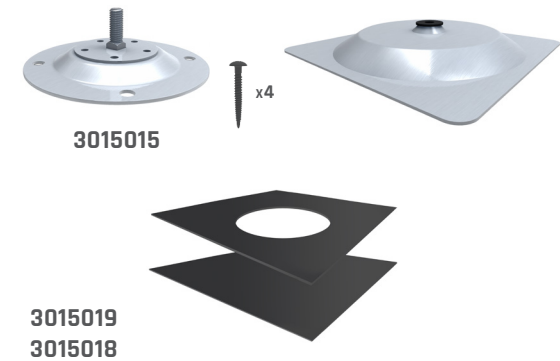
# SIMPLEGRIP-SQ<sup>®</sup>

## AVAILABLE SYSTEM COMPONENTS

	PRODUCT IMAGE	PART NUMBER	PART DESCRIPTION	BOX QUANTITY	PALLET QUANTITY
BASES	ASSEMBLED WITH (1) GF GROMMET AND INCLUDES (1) SS EPDM BONDED WASHER AND (1) SS FLANGE NUT				
		<b>3015015</b>	SIMPLEGRIP BASE ASSEMBLY AL	50	1800
	INCLUDES (1) ROOF LEVEL AND (1) UPPER LEVEL BUTYL TAPE				
		<b>3015019</b>	SIMPLEGRIP ADHESIVE TOP	50	2000
		<b>3015018</b>	SIMPLEGRIP ADHESIVE BOTTOM	50	2000
BRACKETS	INCLUDES (1) 3/8"-16 X 1 1/4" HEX BOLT AND (1) 3/8"-16 FLANGE NUT FOR RACKING				
		<b>2012022</b>	CF UNIV L-FOOT MLL 3" (NO HARDWARE NEEDED)	50	1800
		<b>3011018</b>	L-FOOT SCL-101 BLK 3"	50	6000
		<b>3011015</b>	L-FOOT L-102 BLK 3"	50	6000
		<b>3011017</b>	L-FOOT SCL-101 MLL 3"	50	6000
		<b>3011016*</b>	L-FOOT L-102 MLL 6"	50	2400
	INCLUDES (1) 2" LAG BOLT AND (1) SS 8-18 X 3/4" TEK SCREW				
		<b>3011010</b>	CONDUIT BRKT COMP MLL	50	10350
	INCLUDES (1) 4" LAG SCREW AND (1) EPDM BONDED WASHER (PRE-ASSEMBLED)				
		<b>2011013</b>	RI COMP SLIDE AL BLK	50	3600
FASTENERS		<b>3016010</b>	DECK SCREW SS #15X2"	1000	60000
		<b>3016011</b>	DECK SCREW SS #15X3"	1000	60000
		<b>3016012</b>	DECK SCREW SS #15X4"	1000	45000

\* SPECIAL ORDER ITEM

### SIMPLEGRIP-SQ:



### CHOOSE YOUR BRACKET:

