

SIMPLEBLOCK^{PV}

RAIL-LESS MOUNTING SYSTEM FOR STANDING SEAM ROOFS

SimpleBlock-PV is the innovative rail-less racking system that utilizes EcoFasten end spacers and mid clamps with integrated bonding for use on metal standing seam roofs. The block (clamp) employs two pre-installed, oval-point set screws for a fast installation that will not penetrate the roofing material. SimpleBlock-PV conforms to UL 2703.

FEATURES & BENEFITS

- Integrated bonding
- Two pre-installed oval-point set screws for fast installation
- No roof penetrations required
- North-South adjustability

**THREE COMPONENT SYSTEM ELIMINATES
THE NEED TO PENETRATE ROOFING MATERIAL**



**Metal Standing
Seam**

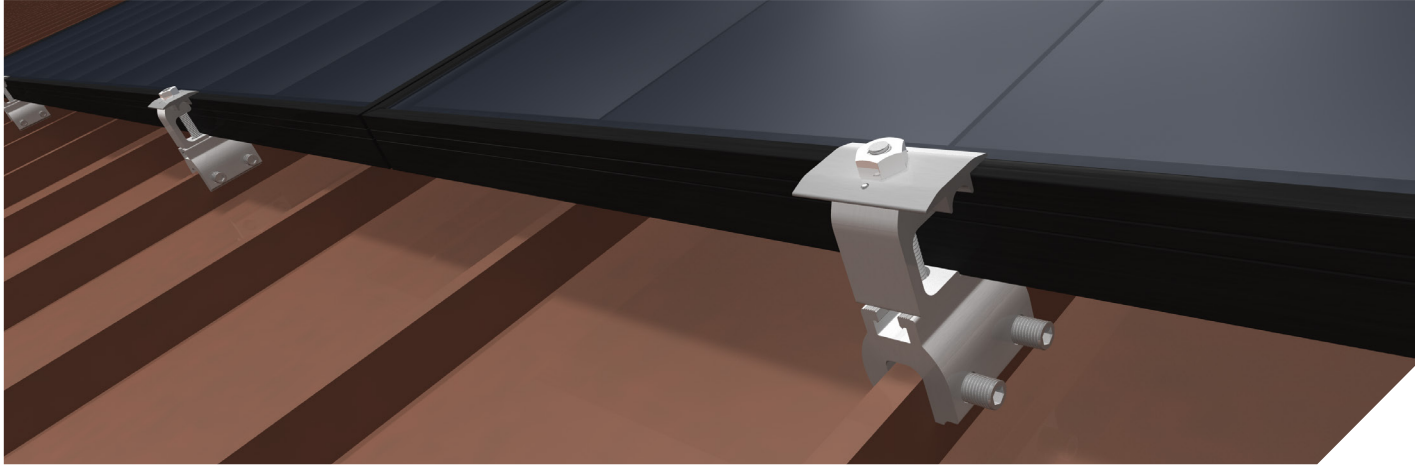


Rail-Less



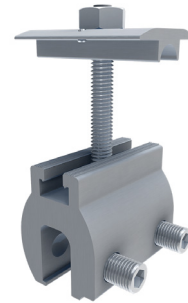
Clamp-to-Seam





	PRODUCT IMAGE	PART NUMBER	PART DESCRIPTION	BOX QUANTITY	PALLET QUANTITY
	INCLUDES (2) SS SET SCREWS DP 3/8"-24X7/8", (1) SS HEX BOLT, (1) SS HEX NUT & (1) MIDCLAMP WITH (2) SET PINS				
MOUNT		2015010	SIMPLEBLOCK PV W/ MID CLAMP AL	50	4000
SPACERS		2099024	SB/SR END SPACER AL MLL 32MM	50/250	31250
		2099025	SB/SR END SPACER AL MLL 35MM	50/250	27000
		2099026	SB/SR END SPACER AL MLL 40MM	50/300	28800
	SHIPS ASSEMBLED WITH (1) SS FLANGE NUT 5/16", (1) SS HEX TAP BOLT 5/16"-18X1/2" & (1) MIDCLAMP WITH (2) SET PINS				
COUPLING		2015011	SIMPLEBLOCK PV COUPLING SS	100	75000
	ASSEMBLED WITH (1) CARRIAGE BOLT & (1) FLANGE NUT				
ACCS.		4011012	FRAME MLPE MOUNT SS	50/300	12600

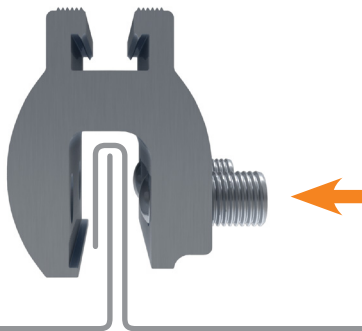
SIMPLEBLOCK-PV



CHOOSE YOUR END SPACER:



COUPLING:



Pre-assembled oval-point set screws securely fasten the block to a roof seam.

SimpleBlock-PV fits most double-lock standing seam profiles