

SIMPLE BLOCK-U[®]

RAIL-BASED MOUNT FOR STANDING SEAM ROOFS

SimpleBlock[®]-U has a streamlined design that offers a lightweight yet durable solution for mounting a variety of brackets to a standing seam roof. Two oval-point set screws are pre-installed, saving time on installation and eliminating the need to penetrate the roof.

FEATURES & BENEFITS

- Install on vertical, double-lock standing seam profiles
- No roof penetrations required
- North-South adjustability
- Conforms to UL 2703

TWO PRE-INSTALLED SET SCREWS FOR EASY ATTACHMENT OF ANY BRACKET



**Metal Standing
Seam**

ROOF TYPE



Rail-Based

RACKING



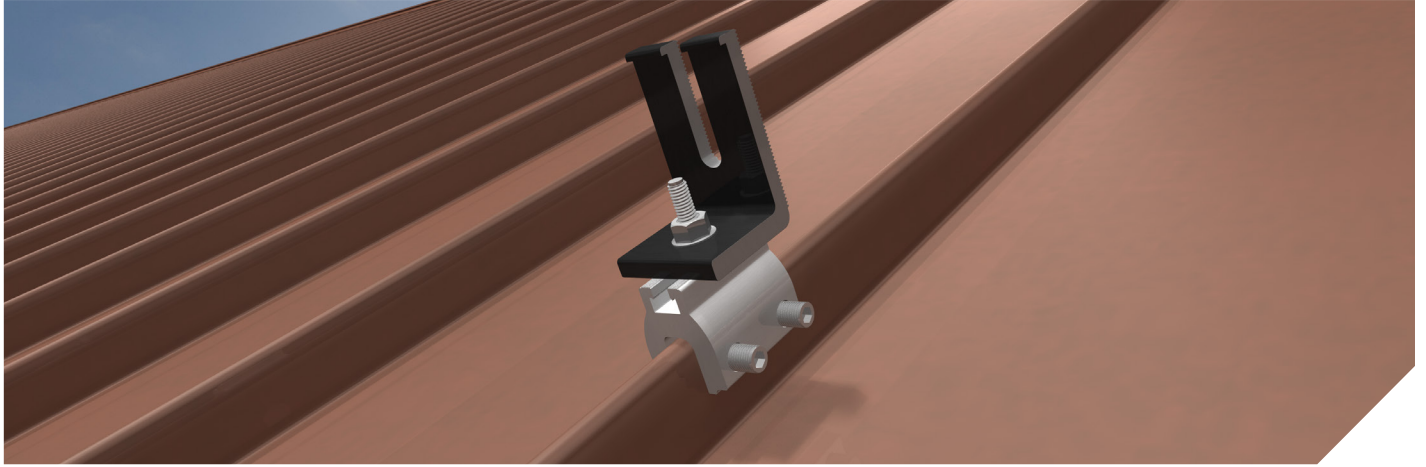
Clamp-to-Seam

ATTACHMENT

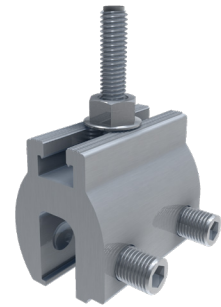


SIMPLEBLOCK-U

RAIL-BASED MOUNT FOR STANDING SEAM ROOFS

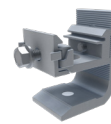


SIMPLEBLOCK-U



SIMPLEBLOCK-U MOUNT AL

CHOOSE YOUR BRACKET:



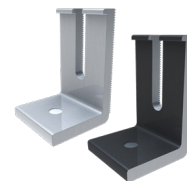
2012022



3011015



3011016*

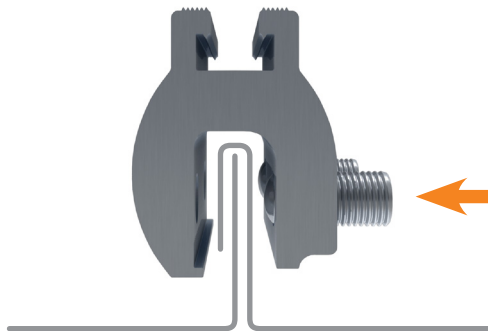


3011017
3011018

SIMPLEBLOCK-U IS ALSO COMPATIBLE WITH THIRD-PARTY BRACKETS

	PRODUCT IMAGE	PART NUMBER	PART DESCRIPTION	BOX QUANTITY	PALLET QUANTITY
ASSEMBLED WITH (2) SS SET SCREWS DP 3/8"-24X7/8", (1) SS HEX TAP BOLT 5/16"-18X1.25" AND (1) SS HEX NUT 5/16"-18					
MOUNT		3014011	SIMPLEBLOCK-U MOUNT AL	50	4800
	INCLUDES (1) 3/8"-16 X 1 1/4" HEX BOLT AND (1) 3/8"-16 FLANGE NUT FOR RACKING				
BRACKETS		2012022	CF UNIV L-FOOT MLL 3" (NO HARDWARE NEEDED)	50	1800
		3011018	L-FOOT SCL-101 BLK 3"	50	6000
		3011015	L-FOOT L-102 BLK 3"	50	6000
		3011017	L-FOOT SCL-101 MLL 3"	50	6000
		3011016*	L-FOOT L-102 MLL 6"	50	2400

* SPECIAL ORDER ITEM



Pre-assembled oval-point set screws securely fasten the block to the roof seam.

SimpleBlock-U fits most double-lock standing seam profiles