

## SIMPLEBLOCK<sup>PV</sup>

### RAIL-LESS MOUNTING SYSTEM FOR STANDING SEAM ROOFS

SimpleBlock-PV is the innovative rail-less racking system that utilizes EcoFasten end spacers and mid clamps with integrated bonding for use on metal standing seam roofs. The block (clamp) employs two pre-installed, oval-point set screws for a fast installation that will not penetrate the roofing material. SimpleBlock-PV conforms to UL 2703.

### FEATURES & BENEFITS

- Integrated bonding
- Two pre-installed oval-point set screws for fast installation
- No roof penetrations required
- North-South adjustability
- The technology in this product is licensed by S-5!

**THREE COMPONENT SYSTEM ELIMINATES  
THE NEED TO PENETRATE ROOFING MATERIAL**



**Metal Standing  
Seam**

ROOF TYPE



**Rail-Less**

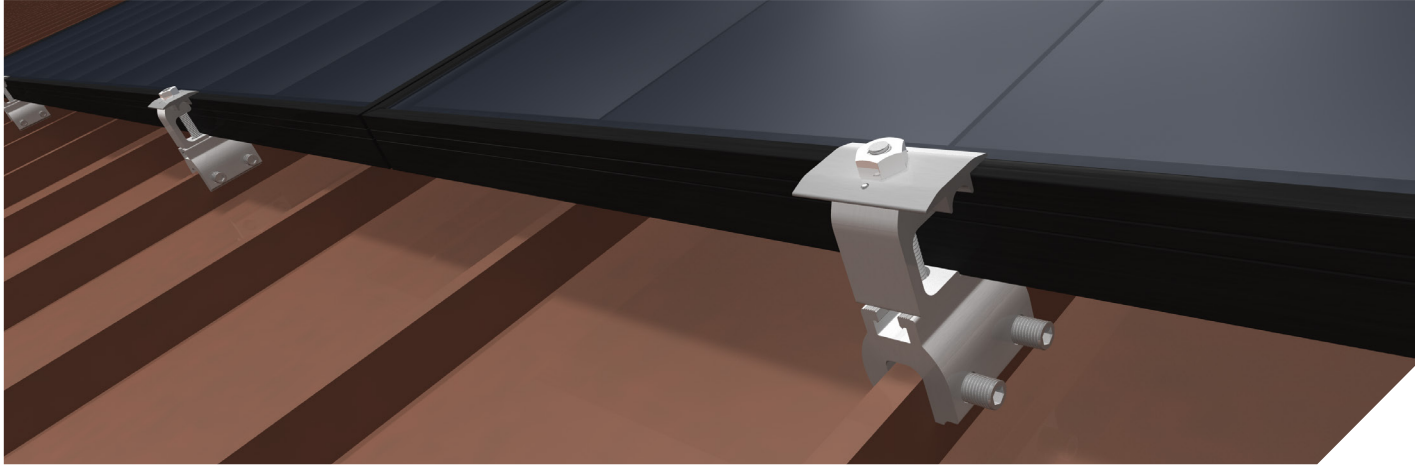
RACKING



**Clamp-to-Seam**

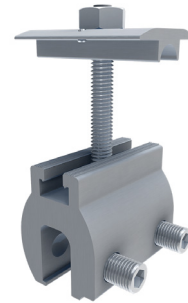
ATTACHMENT





	PRODUCT IMAGE	PART NUMBER	PART DESCRIPTION	BOX QUANTITY	PALLET QUANTITY
<b>INCLUDES (2) SS SET SCREWS DP 3/8"-24X7/8", (1) SS HEX BOLT, (1) SS HEX NUT &amp; (1) MIDCLAMP WITH (2) SET PINS</b>					
<b>MOUNT</b>		<b>2015010</b>	SIMPLEBLOCK PV W/ MID CLAMP AL	50	4000
<b>SPACERS</b>		<b>2099024</b>	SB/SR END SPACER AL MLL 32MM	50/250	31250
		<b>2099025</b>	SB/SR END SPACER AL MLL 35MM	50/250	27000
		<b>2099026</b>	SB/SR END SPACER AL MLL 40MM	50/300	28800
<b>SHIPS ASSEMBLED WITH (1) SS FLANGE NUT 5/16", (1) SS HEX TAP BOLT 5/16"-18X1/2" &amp; (1) MIDCLAMP WITH (2) SET PINS</b>					
<b>COUPLING</b>		<b>2015011</b>	SIMPLEBLOCK PV COUPLING SS	100	75000
<b>ASSEMBLED WITH (1) CARRIAGE BOLT &amp; (1) FLANGE NUT</b>					
<b>ACCS.</b>		<b>4011012</b>	FRAME MLPE MOUNT SS	50/300	12600

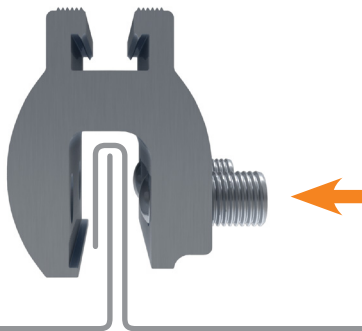
**SIMPLEBLOCK-PV**



**CHOOSE YOUR END SPACER:**



**COUPLING:**



Pre-assembled oval-point set screws securely fasten the block to a roof seam.

SimpleBlock-PV fits most double-lock standing seam profiles