



SIMPLERACK[®]

RAIL-LESS RACKING FOR CONCRETE ROOFS

The rail-less SimpleRack system is engineered specifically for use in flat concrete roofing applications. The system is ideal for fast, easy fixed-positioning mounting. Simple straightforward hardware accommodate both low & high profile mounting. SimpleRack provides integrated bonding and conforms to UL 2703.

FEATURES & BENEFITS

- Rail-less racking that conforms to UL 2703
- 10° fixed-position mounting solution
- Integrated bonding
- Tested to 170 mph winds (Exposure D)

SINGLE BOLT PENETRATION, FIXED-POSITION MOUNTING SYSTEM



Flat Concrete

ROOF TYPE



Rail-Less

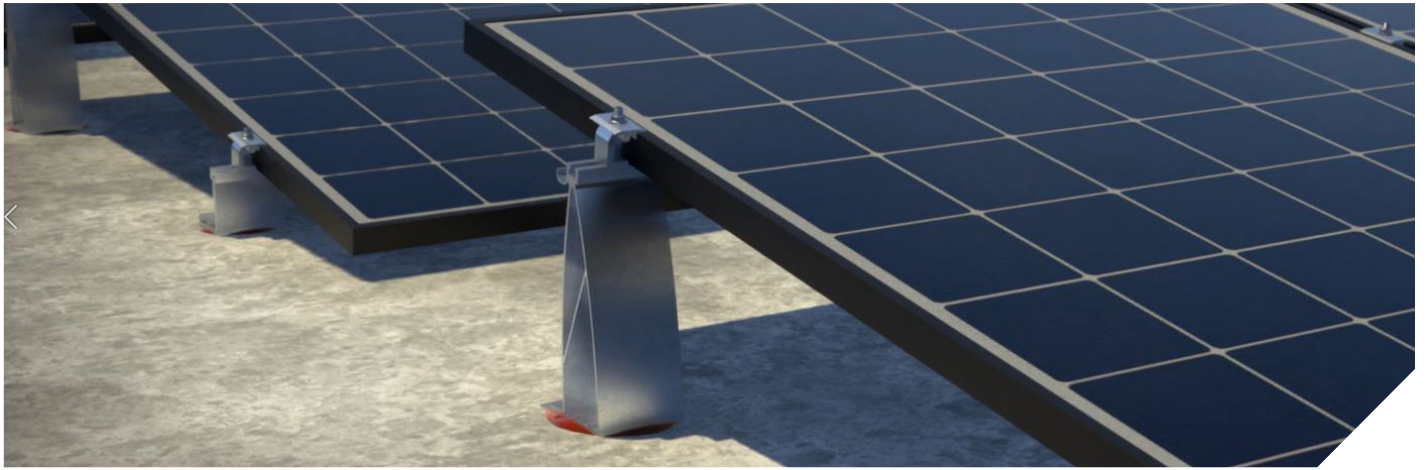
RACKING



Direct-Attach

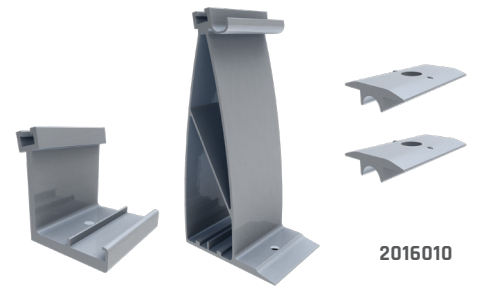
ATTACHMENT





	PRODUCT IMAGE	PART NUMBER	PART DESCRIPTION	BOX QUANTITY	PALLET QUANTITY
	INCLUDES (1) SHORT LEG, (1) TALL LEG, (2) MIDCLAMPS, (2) FLANGE NUTS, (2) SET SCREWS & (2) T-NUT MOUNTS				
SYSTEM		2016010	SIMPLERACK TILT LEG KIT AL	12	360
SPACERS		2099024	SB/SR END SPACER AL MLL 32MM	50/250	31250
		2099025	SB/SR END SPACER AL MLL 35MM	50/250	27000
		2099026	SB/SR END SPACER AL MLL 40MM	50/300	28800
	ASSEMBLED WITH (1) CARRIAGE BOLT & (1) FLANGE NUT				
ACCS.		4011012	FRAME MLPE MOUNT SS	50/300	12600

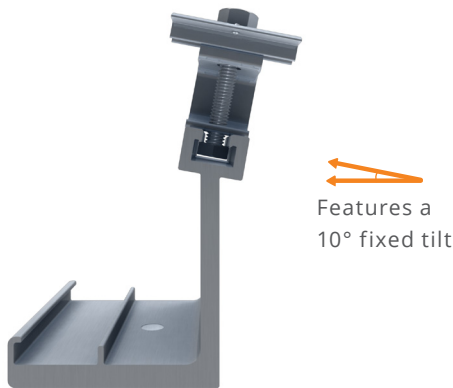
SIMPLERACK LEG KIT



CHOOSE YOUR END SPACER:



* SPECIAL ORDER ITEM



Features a 10° fixed tilt