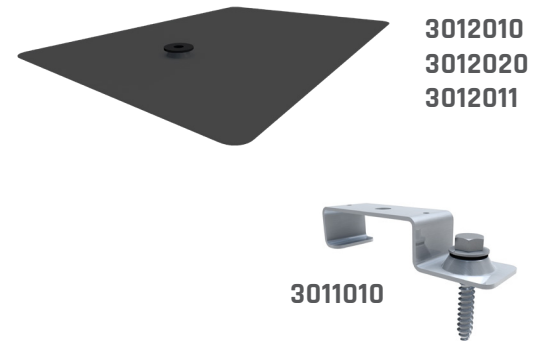


	PRODUCT IMAGE	PART NUMBER	PART DESCRIPTION	BOX QUANTITY	PALLET QUANTITY
WIRE MANAGEMENT		2012020	CF WIRE MGMT CLIP SS	1000	TBD
		2011017	FRAME WIRE MGMT CLIP SS	1000/4000	144000
BONDING	MLPE CLIP ASSEMBLED WITH (1) 5/8" CARRIAGE BOLT & (1) FLANGE NUT				
		4011012	FRAME MLPE MOUNT SS	50/300	12600
		4011011	MODULE JUMPER SS 8"	25/1000	18000
		2012019	CF MLPE MOUNT SS	400	17600
CONDUIT	COMP CONDUIT BRACKET INCLUDES (1) 2" LAG BOLT AND (1) SS 8-18 X 3/4" TEK SCREW				
		3011010	CONDUIT BRKT COMP MLL	50	10350
	TILE CONDUIT BRACKET INCLUDES (1) SS 8-18 X 3/4" TEK SCREW				
		3011011	CONDUIT BRKT TILE MLL	60	4320
		3011014	J-BOX COMP BRKT MLL	50	1800

CONDUIT CLAMP NOT INCLUDED. COMPATIBLE WITH ALL CONDUIT CLAMPS USING INCLUDED TEK SCREWS.

### CONDUIT BRACKET COMP

THE CONDUIT BRACKET COMP COMBINES WITH THE GF-1 FLASHING OF YOUR CHOICE FOR DIRECT-TO-DECK INSTALLATION ON COMPOSITION SHINGLE ROOFS.



### CONDUIT BRACKET METAL

THE CONDUIT BRACKET METAL COMBINES WITH THE SIMPLE SEAL EPDM BUSHING FOR DIRECT-TO-DECK INSTALLATION ON METAL ROOFS.

