



FRAME MLPE MOUNT

INSTALLATION GUIDE

REVISION DATE: 10/11/21

VERSION: v1.3

FRAME MLPE MOUNT

INSTALLATION GUIDE



EcoFasten

For Installers. By Installers.

Clicking the page name will take you to that page

TABLE OF CONTENTS **PAGE 01**

INTRODUCTION **PAGE 02**

RATINGS **PAGE 03**

INSTALLATION **PAGE 04**

MODULE LIST **PAGE 07**

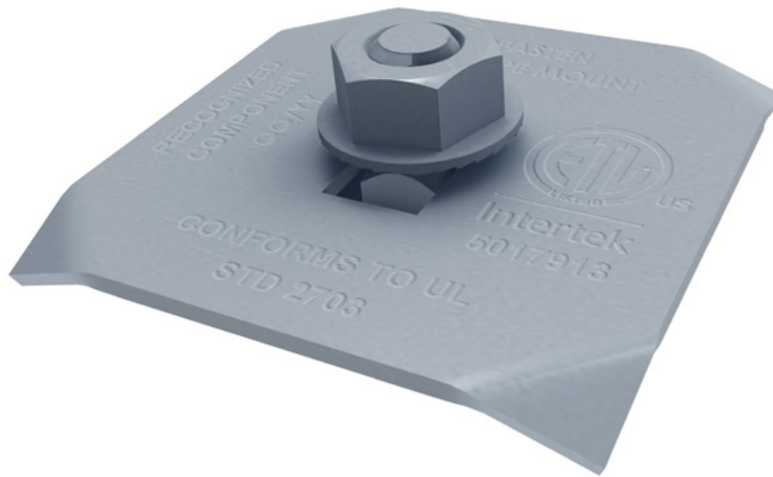
TABLE OF CONTENTS

FRAME MLPE MOUNT

INSTALLATION GUIDE

**EcoFasten**

For Installers. By Installers.



FRAME MLPE MOUNT

The Frame MLPE Mount is used to mount module level power electronics (MLPE) to standard PV module frames. The Frame MLPE Mount provides a mounting option for the MLPE device to the module frame with any PV Racking system. The Frame MLPE Mount is used to mount and bond an MLPE to a PV module that complies with UL 1703 or UL 61730 when used with a MLPE and PV module that has been evaluated for bonding and/or mounting in compliance with the instructions provided.

FRAME MLPE MOUNT

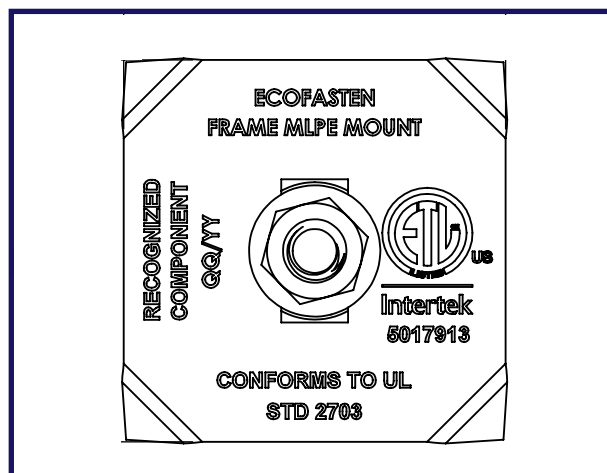
INSTALLATION GUIDE



EcoFasten

For Installers. By Installers.

UL 2703 MARKING EXAMPLE:



Max System Voltage	1500 V
Max Fuse Rating	40A
Certification	Conforms to UL STD 2703
Warranty	25 Year Material and Workmanship
Module Orientation	Portrait or Landscape
Multiple use Rated Components (Position Independent)	Frame MLPE Mount
Torque Value	144 in-lbs

INSTALLER RESPONSIBILITIES

The Frame MLPE Mount bonds the Module Level Power Electronic device with a 300 series stainless steel bonding plate. The module frame must be grounded by a UL 2703 racking system. The system is to be installed in accordance with the latest National Electrical Code, ANSI/NFPA 70. Any local electrical codes must be adhered in addition to the national electrical codes.

Installer must review module and any third-party manufacturer's documentation for compatibility and compliance with warranty terms and conditions.

Periodic reinspection of components shall be performed to verify that there is no corrosion detrimental to system strength and electrical conductivity, no loose bolts, and/or other variables that could compromise array safety. Any corroded or damaged components shall be immediately replaced.

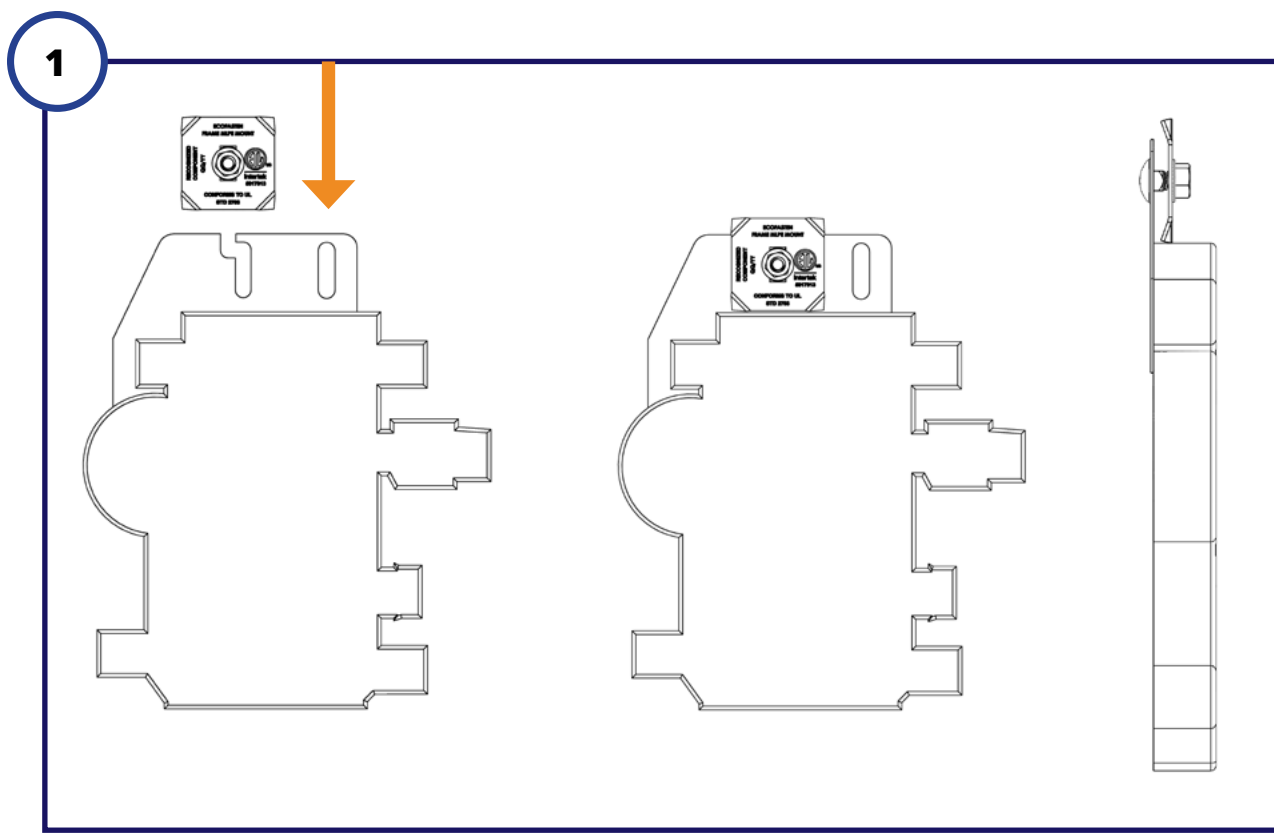
RATINGS

FRAME MLPE MOUNT

INSTALLATION GUIDE



INSTALLING THE FRAME MLPE MOUNT



- 1 Insert the Frame MLPE Mount into the flange of the micro inverter/power optimizer with the bolt facing away from the panel.

INSTALLATION

FRAME MLPE MOUNT

INSTALLATION GUIDE



EcoFasten

For Installers. By Installers.

INSTALLING THE FRAME MLPE MOUNT

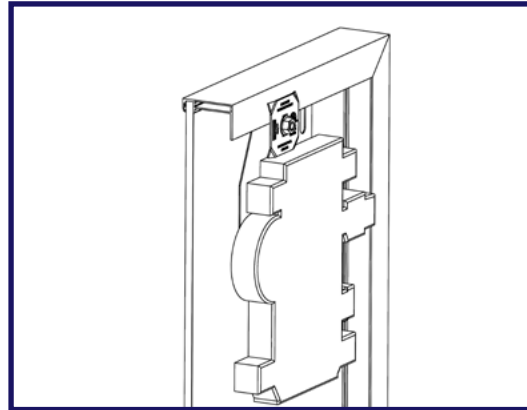
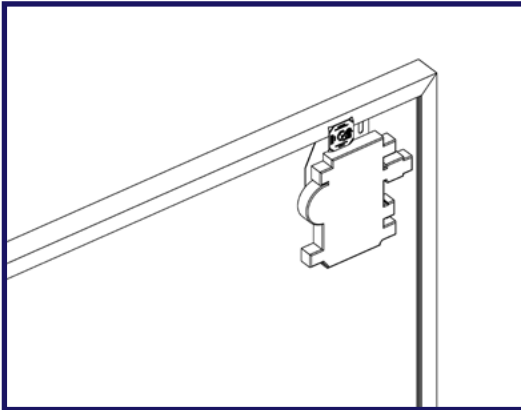
2

Slide the micro inverter/power optimizer and the Frame MLPE Mount towards the panel

2a

LANDSCAPE MODULES

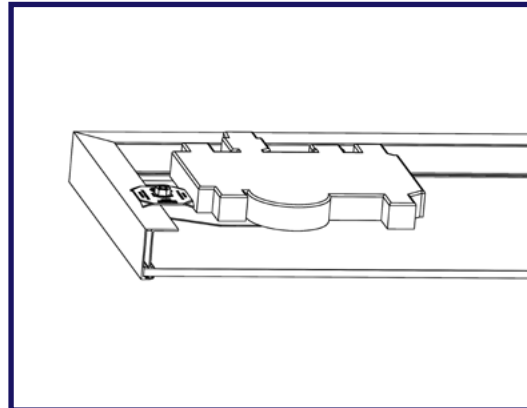
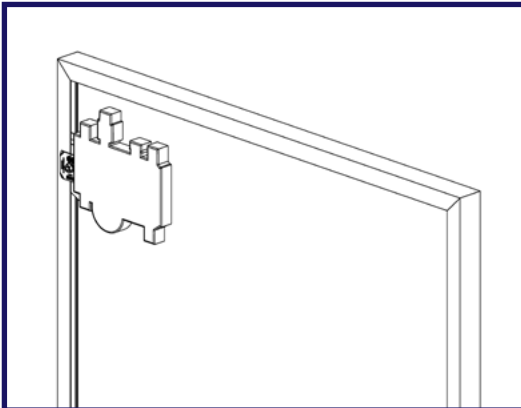
Slide the micro-inverter/power optimizer and the Frame MLPE Mount on to the top-right corner on the short side of the module frame. The flange of the micro inverter should be behind the module frame and the Frame MLPE Mount on the outer part of the module frame.



2b

PORTRAIT MODULES

Slide the micro-inverter/power optimizer and the Frame MLPE Mount on to the top-left corner on the long side of the module frame. The flange of the micro inverter should be behind the module frame and the Frame MLPE Mount on the outer part of the module frame.



INSTALLATION

FRAME MLPE MOUNT

INSTALLATION GUIDE

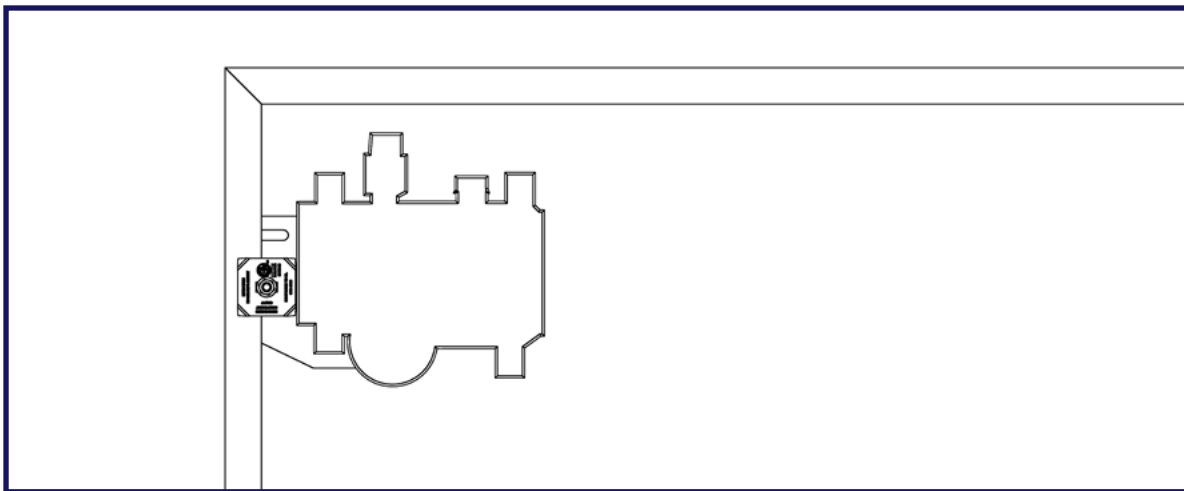


EcoFasten

For Installers. By Installers.

INSTALLING THE FRAME MLPE MOUNT

3



- 3 Tighten the bolt to 144 in-lbs to clamp the Frame MLPE Mount and micro-inverter/ power optimizer to the module frame.

INSTALLATION

FRAME MLPE MOUNT

INSTALLATION GUIDE



EcoFasten

For Installers. By Installers.

COMPATIBILITY

THE FRAME MLPE MOUNT IS COMPATIBLE WITH THE FOLLOWING MLPE DEVICES:

- **ENPHASE:** M250-72, 250-60, M215-60, C250-72, S230, S280, IQ 6, IQ 6+, IQ7, IQ 7A, IQ 7+, IQ7 PD, IQ 7X, Q Aggregator
- **SOLAREEDGE:** M1600, P300, P320, P340, P370, P400, P401, P405, P485, P505, P600, P700, P730, P800p, P800s, P801, P850, P860, P950, P960, P1100

UL 2703 CERTIFIED MODULES

The Frame MLPE Mount is a UL 2703 Recognized product used to mount and electrically bond module level power electronics (MLPE) that have been tested and/or evaluated for use in combination with UL 1703 or UL 61730 Listed Modules and with the included instructions.

Unless otherwise noted, “xxx” refers to the module power rating and both black and silver frames are included in the certification. ” ”

MANUFACTURER	LIST OF UL 2703 APPROVED MODULES
Adani	Adani modules with 35 and 40mm frames ASX-Y-ZZ-xxx Where “X” can be B, M or P, “Y” can be 6 or 7, and “ZZ” can be blank, PERC, B-PERC, or AB-PERC
Amerisolar	Amerisolar modules with 35, 40 and 50 mm frames AS-bYxxxZ Where “b” can be 5 or 6; “Y” can be M, P, M27, P27, M30, or P30; and “Z” can be blank, W or WB
Aptos Solar	Aptos modules with 35 and 40 mm frames DNA-yy-zzaa-xxx Where “yy” can be 120 or 144; “zz” can be MF or BF; and “aa” can be 23 or 26
Astronergy Solar	Astronergy modules with 30, 35, 40, and 45 mm frames aaSMbbyC/zz-xxx Where “aa” can be CH or A; “bb” can be 60, 66, or 72; “yy” can be blank, 10 or 12; “C” can M, P, M(BL), M-HC, M(BL)-HC, P-HC, M(DG), or M(DGT); and “zz” can be blank, HV, F-B, or F-BH
ASUN	ASUN modules with 35 and 40 mm frames ASUN-xxx-YYZZ-aa Where “YY” can be 60 or 72; “ZZ” can be M, or MH5; and “aa” can be blank or BB

MODULES

FRAME MLPE MOUNT

INSTALLATION GUIDE



EcoFasten

For Installers. By Installers.

MANUFACTURER	LIST OF UL 2703 APPROVED MODULES
Auxin	Auxin modules with 40 mm frames AXN6y6zAxxx Where “y” can be M or P; “z” can be 08, 09, 10, 11, or 12; and “A” can be F or T
Axitec	Axitec Modules with 30, 35 and 40 mm frames AC-xxxY/aaZZb Where “Y” can be M, P, MB or MH; “aa” can be blank, 125- or 156-; “ZZ” can be 54, 60, 72, 120, or 144; “b” can be S, X, V, VB, XV, or MX
Boviet	Boviet modules with 35 and 40mm frames BVMZZaaYY-xxxBcc Where “ZZ” can be 66 or 76; “aa” can be 9, 10 or 12; “YY” is M or P; and “B” can be blank, L or S; and “cc” can be blank, H, H-BF, H-BF-DG, H-HC, H-HC-BF, H-HC-BF-DG, HC-BF or HC-BF-DG
BYD	BYD modules with 35 mm frames BYDxxxAY-ZZ Where “A” can be M6, P6, MH or PH; “Y” can be C or K; and “ZZ” can be 30 or 36
Canadian Solar	Canadian Solar modules with 30, 32, 35 and 40 mm frames CSbY-xxxZ Where “b” can be 1, 3 or 6; “Y” can be H, K, L, N, P, U, V, W, X or Y; and “Z” can be M, P, MS, PX, M-SD, P-AG, P-SD, MB-AG, PB-AG, MS-AG, or MS-SD
CertainTeed	CertainTeed modules with 35 and 40 frames CTxxxYZZ-AA Where “Y” can be M, P, or HC; “ZZ” can be 00, 01, 10, or 11; and “AA” can be 01, 02, 03, 04 or 06
CSUN	Csun modules with 35 and 40 mm frames YYxxx-zzAbb Where “YY” is CSUN or SST; “zz” is blank, 60, or 72; and “A” is blank, P, M or MM; “bb” is blank, BB, 5BB, BW, or ROOF
Dehui	Dehui modules with 30, 35 and 40mm frames DH-MYYYYZ-xxx Where “YYYY” can be 760, 772, 860, 872; and “Z” can be B, F or W
Ecosolargy	Ecosolargy modules with 35, 40, and 50 mm frames ECOxxxYzzA-bbD Where “Y” can be A, H, S, or T; “zz” can be 125 or 156; “A” can be M or P; “bb” can be 60 or 72; and “D” can be blank or B

MODULES

FRAME MLPE MOUNT

INSTALLATION GUIDE



EcoFasten

For Installers. By Installers.

MANUFACTURER	LIST OF UL 2703 APPROVED MODULES
ET Solar	ET Solar modules with 30, 35, 40, and 50 mm frames ET-YZZZxxxAA Where "Y" can be P, L, or M; "ZZZ" can be 660, 660BH, 672, 672BH, 754BH, 766BH, 772BH; and "AA" can be GL, TB, TW, WB, WW, BB, WBG, WWG, WBAC, WBCO, WWCO, WWBCO or BBAC
Flex	Flex modules with 35, 40, and 50 mm frames FXS-xxxYY-ZZ; Where "YY" can be BB or BC; and "ZZ" can be MAA1B, MAA1W, MAB1W, SAA1B, SAA1W, SAC1B, SAC1W, SAD1W, SBA1B, SBA1W, SBC1B, or SBC1W
GCL	GCL modules with 35 mm and 40 mm frames GCL-ab/YY xxx Where "a" can be M or P; "b" can be 3 or 6; and "YY" can be 60, 72, 72H, or 72DH
GigaWatt Solar	Gigawatt modules with 40 mm frames GWxxxYY Where "YY" can be either PB or MB
Hansol	Hansol modules with 35 and 40 frames HSxxxYY-zz Where "YY" can be PB, PD, PE, TB, TD, UB, UD, or UE; and "zz" can be AH2, AN1, AN3, AN4, HH2, HV1, or JH2
Hanwha Solar	Hanwha Solar modules with 40, 45, and 50 mm frames HSLaaP6-YY-1-xxxZ Where "aa" can be either 60 or 72; "YY" can be PA or PB; and "Z" can be blank or B

MODULES

FRAME MLPE MOUNT

INSTALLATION GUIDE



EcoFasten

For Installers. By Installers.

MANUFACTURER	LIST OF UL 2703 APPROVED MODULES
Hanwha Q CELLS	<p>Hanwha Q CELLS Modules with 32, 35, 40, and 42mm frames aaYY-ZZ-xxx where “aa” can be Q. or B.; “YY” can be PLUS, PRO, PEAK, LINE PRO, LINE PLUS, PLUS DUO or PEAK DUO; and “ZZ” can be G3, G3.1, G4, G4.1, L-G2, L-G2.3, L-G3, L-G3.1, L-G3y, L-G4, L-G4.2, L-G4y, LG4.2/TAA, BFR-G3, BLK-G3, BFR-G3.1, BLK-G3.1, BFR-G4, BFR-G4.1, BFR G4.3, BLK-G4.1, G4/SC, G4.1/SC, G4.1/TAA, G4.1/MAX, BFR G4.1/TAA, BFR G4.1/MAX, BLK G4.1/TAA, BLK G4.1/SC, EC-G4.4, G5, G5/SC, G5/TS, BLK-G5, BLK-G5/SC, BLK-G5/TS, L-G5, L-G5.1, L-G5.2, L-G5.2/H, L-G5.3, G6, G6/SC, G6/TS, G6+/TS, G6+, BLK-G6, L-G6, L-G6.1, L-G6.2, L-G6.3, G7, BLK-G6+, BLK-G6+/AC, BLK-G6+/HL, BLK-G6+/SC, BLK-G6/TS, BLK-G6+/TS, BLK-G7, G7.2, G8, BLK-G8, G8+, BLK-G8+ L-G7, L-G7.1, L-G7.2, L-G7.3, L-G8, L-G8.1, L-G8.2, L-G8.3, L-G8.3/BFF, L-G8.3/BFG, L-G8.3/BGT, ML-G9, BLK ML-G9, ML-G9+, BLK ML-G9+, ML-G10, BLK ML-G10, ML-G10+, BLK ML-G10+, ML-G10.a, BLK ML-G10.a, ML-G10.a+, BLK ML-G10.a+, XL-G9, XL-G9.2, XL-G9.3, XL-G9.3/BFG, XL-G10.2, XL-G10.3, XL-G10.c, XL-G10.d, XL-G10.d/BFG or XL-G10.3/BFG</p>
Heliene	<p>Heliene modules with 40 mm frames YYZZxxxxA Where “YY” can be 36, 60, 72, 96, 120 or 144; “ZZ” can be HC, M, P, or MBLK; and “A” can be blank, HomePV, or Bifacial</p>
HT-SAAE	<p>HT-SAAE modules with 35 and 40 mm frames HTyy-aaaZ-xxx Where “yy” can be 60, 66, 72 or 78, “aaa” can be 18, 156 or 166, “Z” can be M, P, M-C, P-C, M(S), M(VS), M(V), P(V), M(V)-C, P(V)-C, or X</p>
Hyundai	<p>Hyundai modules with 33, 35, 40 and 50 mm frames HiY-SxxxZZ Where “Y” can be A, D or S; “S” can be M or S; and “ZZ” can be GI, HG, HI, KI, MI, MF, MG, PI, RI, RG, RG(BF), RG(BK), SG, TI or TG</p>
Itek	<p>Itek Modules with 40 and 50 mm frames IT-xxx-YY Where “YY” can be blank, HE, or SE, or SE72</p>
JA Solar	<p>JA Solar modules with 30, 35, 40 and 45 mm frames JAyyzz-bbww-xxx/aa Where “yy” can be M, P, M6 or P6; “zz” can be blank, (K), (L), (R), (V), (BK), (FA), (TG), (FA)(R), (L)(BK), (L)(TG), (R)(BK), (R)(TG), (V)(BK), (BK)(TG), or (L)(BK)(TG); “bb” can be 48, 60, 66, 72 or 78; “ww” can be D09, D10, D20, D30, S01, S02, S03, S06, S09, S10, S12, S20 or S30; and “aa” can be BP, MB, MR, SI, SC, PR, 3BB, 4BB, 4BB/RE, 5BB</p>

FRAME MLPE MOUNT

INSTALLATION GUIDE



EcoFasten

For Installers. By Installers.

MANUFACTURER	LIST OF UL 2703 APPROVED MODULES
Jinko	Jinko modules with 35 and 40 mm frames JKMYxxxZZ-aa Where "Y" can either be blank or S; "ZZ" can be M, P, or PP; and "aa" can be blank, 60, 60B, 60H, 60L, 60BL, 60HL, 60HB, 60HBL, 6HBL-EP, 60-J4, 60B-J4, 60B-EP, 60(Plus), 60-V, 60-MX, 6RL3, 6RL3-B, 6TL3-B, 7RL3-V, 7RL3-TV, 72, 72B, 72-J4, 72B-J4, 72(Plus), 72-V, 72H-V, 72L-V, 72HL-V, 72HL4-V, 72HL4-TV, 72-MX, 72H-BDVP, 72HL-TV, or 72HL-V-MX3
Kyocera	Kyocera Modules with 46mm frames KYxxxZZ-AA Where "Y" can be D or U; "ZZ" can be blank, GX, or SX; and "AA" can be LPU, LFU, UPU, LPS, LPB, LFB, LFB2, LPB2, 3AC, 3BC, 3FC, 4AC, 4BC, 4FC, 4UC, 5AC, 5BC, 5FC, 5UC, 6BC, 6FC, 8BC, 6MCA, or 6MPA
LG	LG modules with 35, 40, and 46 mm frames LGxxxYaZ-bb Where "Y" can be A, E, M, N, Q, S; "a" can be A, 1, 2 or 3 "Z" can be C, K, T, or W; and "bb" can be A3, A5, A6, B3, B6, E6, G3, G4, J5, K4, L5, N5, V5 or V6
Longi	Longi modules with 30, 35 and 40 mm frames LRa-YYZZ-xxxM Where "a" can be 4, 5 or 6; "YY" can be blank, 60 or 72; and "ZZ" can be blank, BK, BP, HV, PB, PE, PH, HBD, HIB, HIH, HPB, HPH, or HIBD
Mission Solar	Mission Solar modules with 33 and 40 mm frames MSEbbxxxZZaa Where "bb" can be blank or 60A; "ZZ" can be blank, MM, SE, SO, SQ, SR, SX or TS; and "aa" can be blank, 1J, 4J, 4S, 5K, 5R, 5T, 60, 6J, 6S, 6W, 6Z, 8K, 8T, or 9S
Mitsubishi	Mitsubishi modules with 46 mm frames PV-MYYxxxZZ Where "YY" can be LE or JE; and "ZZ" can be either HD, HD2, or FB
Motech	IM and XS series modules with 40, 45, and 50 mm frames
Next Energy Alliance	Next Energy Alliance modules with 35 and 40mm frames yyNEA-xxxZZ where "yy" can be blank or US; "ZZ" can be M, MB or M-60
Neo Solar Power	Neo Solar Power modules with 35 mm frames D6YxxxZZaa Where "Y" can be M or P; "ZZ" can be B3A, B4A, E3A, E4A, H3A, H4A; and "aa" can be blank, (TF), ME or ME (TF)

MODULES

FRAME MLPE MOUNT

INSTALLATION GUIDE



EcoFasten

For Installers. By Installers.

MANUFACTURER	LIST OF UL 2703 APPROVED MODULES
Panasonic (HIT)	Panasonic modules with 35 and 40 mm frames VBHNxxxYYzzA Where "YY" can be either KA, RA, SA or ZA; "zz" can be either 01, 02, 03, 04, 06, 06B, 11, 11B, 15, 15B, 16, 16B, 17, or 18; and "A" can be blank, E, G or N
Panasonic (EverVolt)	"Panasonic modules with 30 mm frames EVPVxxxA Where "A" can be blank or K"
Peimar	Peimar modules with 40 mm frames SbxxxYzz Where "b" can be G, M or P; "Y" can be M or P; and "zz" can be blank, (BF), or (FB)
Philadelphia Solar	Philadelphia modules with 35 and 40 mm frames PS-YzzAA-xxx Where "Y" can be M or P; "zz" can be 60 or 72; and "AA" can be blank or (BF)
Phono Solar	Phono Solar modules with 35, 40, and 45 mm frames PSxxxY-ZZ/A Where "Y" can be M, M1, MH, M1H, M4, M4H or P; "ZZ" can be 20 or 24; and "A" can be F, T, U, UH, or TH
Recom	Recom modules with 35 and 40 mm frames RCM-xxx-6yy Where "yy" can be MA, MB, ME or MF
REC Solar	REC modules with 30, 38 and 45 mm frames RECxxxYYZZ Where "YY" can be AA, M, NP, NP2, PE, PE72, TP, TP2, TP2M, TP2SM, TP2S, TP3M or TP4; and "ZZ" can be blank, Black, BLK, BLK2, SLV, 72, or Pure
Renesola	ReneSola modules with 35, 40 and 50 mm frames AAxxxY-ZZ Where "AA" can be SPM(SLP) or JC; "Y" can be blank, F, M or S; and "ZZ" can be blank, Ab, Ab-b, Abh, Abh-b, Abv, Abv-b, Bb, Bb-b, Bbh, Bbh-b, Bbv, Bbv-b, Db, Db-b, or 24/Bb
Renogy	Renogy Modules with 40 and 50 mm frames RNG-xxxY Where "xxx" is the module power rating; and "Y" can be D or P
Risen	Risen Modules with 30, 35 and 40 mm frames RSMyy-a-xxxZZ Where "yy" can be 60, 72, 110, 120, 132 or 144; "a" can be 6, 7 or 8; and "ZZ" can be M, P or BMDG

MODULES

FRAME MLPE MOUNT

INSTALLATION GUIDE



EcoFasten

For Installers. By Installers.

MODULES

MANUFACTURER	LIST OF UL 2703 APPROVED MODULES
<p>S-Energy</p>	<p>S-Energy modules with 35 and 40mm frames SABB-CCYYY-xxxZ Where “A” can be C, D, L or N; “BB” can be blank, 20, 25, 40 or 45; “CC” can be blank, 60 or 72; “YYY” can be blank, BDE, MAE, MAI, MBE, MBI, MCE or MCI; and “Z” can be V, M-10, P-10 or P-15</p>
<p>Seraphim Energy Group</p>	<p>Seraphim modules with 30, 35 and 40 mm frames SEG-aYY-xxxZZ Where “a” can be blank, 6 or B; “YY” can be blank, MA, MB, PA, or PB; and “ZZ” can be blank, BB, BG, BW, HV, WB, WW, BMB, BMA-HV, BMA-BG, BMB-HV</p>
<p>Seraphim USA</p>	<p>Seraphim modules with 30, 35, 40 and 50 mm frames SRP-xxx-YYY-ZZ Where “xxx” is the module power rating; and “YYY” can be BMA, BMD, 6MA, 6MB, 6PA, 6PB, 6QA-XX-XX, and 6QB-XX-XX; ZZ is blank, BB, BG or HV</p>
<p>Sharp</p>	<p>Sharp modules with 35 and 40 mm frames NUYYxxx Where “YY” can be SA or SC</p>
<p>Silfab</p>	<p>Silfab Modules with 35 and 38 mm frames SYY-Z-xxxAb Where “YY” can be IL, SA, LA, SG or LG; “Z” can be blank, M, P, or X; “A” can be blank, B, H, M, N; and “b” can be A, C, L, G, K, T, U or X</p>
<p>Solaria</p>	<p>Solaria modules with 40 mm frames PowerXT xxxY-ZZ Where “Y” can be R or C; and “ZZ” can be AC, BD, BX, BY, PD, PM, PM-AC, PX, PZ, WX or WZ</p>
<p>Solarcity (Tesla)</p>	<p>Solarcity modules with 40 mm frames SCxxxYY Where “YY” can be blank, B1 or B2</p>
<p>SolarTech</p>	<p>SolarTech modules with 40 and 42 mm frames AAA-xxxYY Where “AAA” can be PERCB-B, PERCB-W, HJTb-B, HJTb-W or STU; “YY” can be blank, PERC or HJT</p>
<p>SolarWorld AG</p>	<p>SolarWorld Sunmodule Plus, Protect, Bisun, XL, Bisun XL, may be followed by mono, poly, duo, black, bk, or clear; modules with 31, 33 or 46 mm frames SW-xxx</p>

FRAME MLPE MOUNT

INSTALLATION GUIDE



EcoFasten

For Installers. By Installers.

MANUFACTURER	LIST OF UL 2703 APPROVED MODULES
SolarWorld Americas	SolarWorld Sunmodule Plus, Protect, Bisun, XL, Bisun XL, may be followed by mono, poly, duo, black, bk, or clear; modules with 33 mm frames SWA-xxx
Sonali	Sonali Modules with 40 mm frames SSxxx
Stion	Stion Thin film modules with 35 mm frames STO-xxx or STO-xxxA
SunEdison	SunEdison Modules with 35, 40 & 50 mm frames SE-YxxxZABCDE Where "Y" can be B, F, H, P, R, or Z; "Z" can be 0 or 4; "A" can be B,C,D,E,H,I,-J,K,L,M, or N; "B" can be B or W; "C" can be A or C; "D" can be 3, 7, 8, or 9; and "E" can be 0, 1 or 2
Suniva	Suniva modules with 35, 38, 40, 46, and 50 mm frames OPTxxx-AA-B-YYY-Z MVXxxx-AA-B-YYY-Z Where "AA" is either 60 or 72; "B" is either 4 or 5; "YYY" is either 100,101,700,1B0, or 1B1; and "Z" is blank or B
Sunpower	Sunpower standard (G3 or G4) or InvisiMount (G5) 40 and 46 mm frames SPR-Zb-xxx-YY Where "Z" is either A, E, P or X; "b" can be blank, 17, 18, 19, 20, 21, or 22; and "YY" can be blank, BLK, COM, C-AC, D-AC, E-AC, BLK-E-AC, G-AC, BLK-C-AC, or BLK-D-AC
Sunspark	Sunspark modules with 40 mm frames SYY-xxxZ-A Where "YY" can be MX or ST; and "Z" can be M, MB, M3, M3B, P or W; and "A" can be 60 or 72
Suntech	Suntech Modules with 35, 40 and 50mm frames STPxxxz-aa Where "y" is blank or S; and "zz" can be 20, 24, A60 or A72U; and "aa" can be Vd, Vem, Vfw, Vfh, Wdb, Wde, Wd, or Wfhh
Talesun	Talesun modules with 30, 35 and 40mm frames TA6yZZaaxxx-b Where "A" can be D or P, "y" can be blank, F, G, H, I or L; "ZZ" can be 60 or 72; "aa" can be M, M(H), or P; and "b" can be blank, B, T, or (H)
Tesla	Tesla modules with 40 mm frames TxxxY Where "Y" can be H or S

FRAME MLPE MOUNT

INSTALLATION GUIDE



EcoFasten

For Installers. By Installers.

MANUFACTURER	LIST OF UL 2703 APPROVED MODULES
Trina	Trina Modules with 30, 35, 40 and 46mm frames TSM-xxxYYZZ Where "YY" can be DD05, DD06, DD14, DE14, DE15, DE15V, DEG15, DE-G15VC, DE19, DEG19C.20, DE06X, PA05, PC05, PD05, PD06, PA14, PC14, PD14, PE14, or PE15 ; and "ZZ" can be blank, .05, .05(II), .08, .10, .18, .08D, .18D, 0.82, .002, .00S, 05S, 08S, .20(II), A, A.05, A.08, A.10, A.18, (II), A(II), A.05(II), A.08(II), A.082(II), A.10(II), A.18(II), H, H(II), H.05(II), H.08(II), HC.20(II), HC.20(II), M, M(II), M.05(II), MC.20(II)
URE	URE modules with 35 mm frames DyZxxxxaa Where "D" can be D or F, "y" can be A, 6 or 7; "Z" can be K or M; and "aa" can be H3A, H4A, H8A, E7G-BB, E8G or E8G-BB
Vikram	Vikram solar modules with 40 mm frames VSyy.ZZ.AAA.bb Where "yy" can be M, P, MBB, MH, MS, MHBB, or PBB; "ZZ" can be 60 or 72; "AAA" is the module power rating; and "bb" can be 03, 04 or 05
VSUN	VSUN modules with 35 and 40 mm frames VSUNxxx-YYz-aa Where "YY" can be 60, 72, 120, or 144; "z" can be M, P, MH, PH, or BMH; and "aa" can be blank, BB, BW, or DG
Waaree	Waaree modules with 40mm frames WSyy-xxx where "yy" can be blank, M, or MB
Winaico	Winaico modules with 35 and 40 mm frames Wsy-xxxZa Where "y" can be either P or T; "Z" can be either M, P, or MX; and "a" can be blank or 6
Yingli	Yingli modules with 35 and 40 mm frames YLxxxZ-yy Where "Z" can be D or P; "yy" can be 29b, 30b, 34d, 35b, 36b or 40d
ZN Shine	ZN Shine modules with 35mm frames ZXMY-AAA-xxx/M Where "Y" can be 6 or 7, "AAA" can be 72, NH120, NH144 or SHDB144