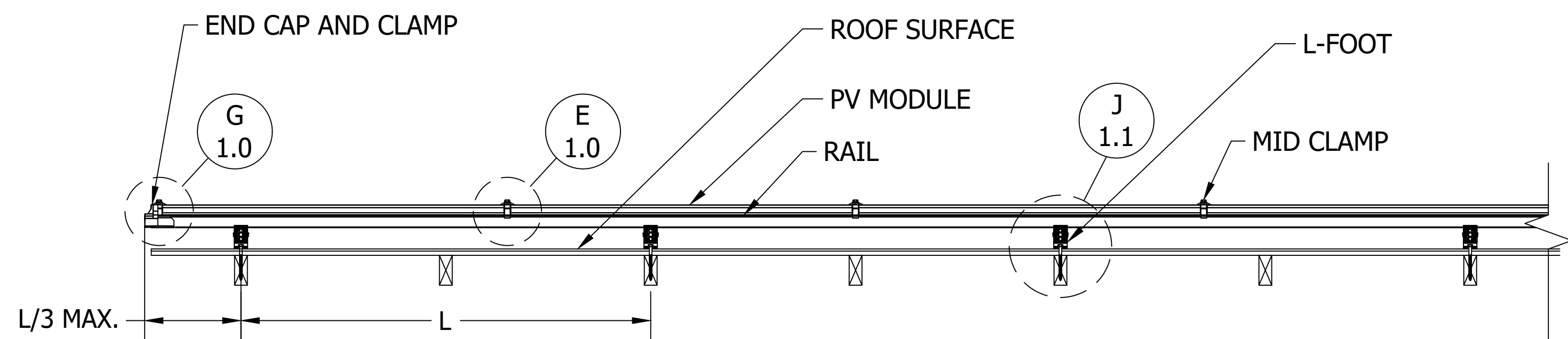
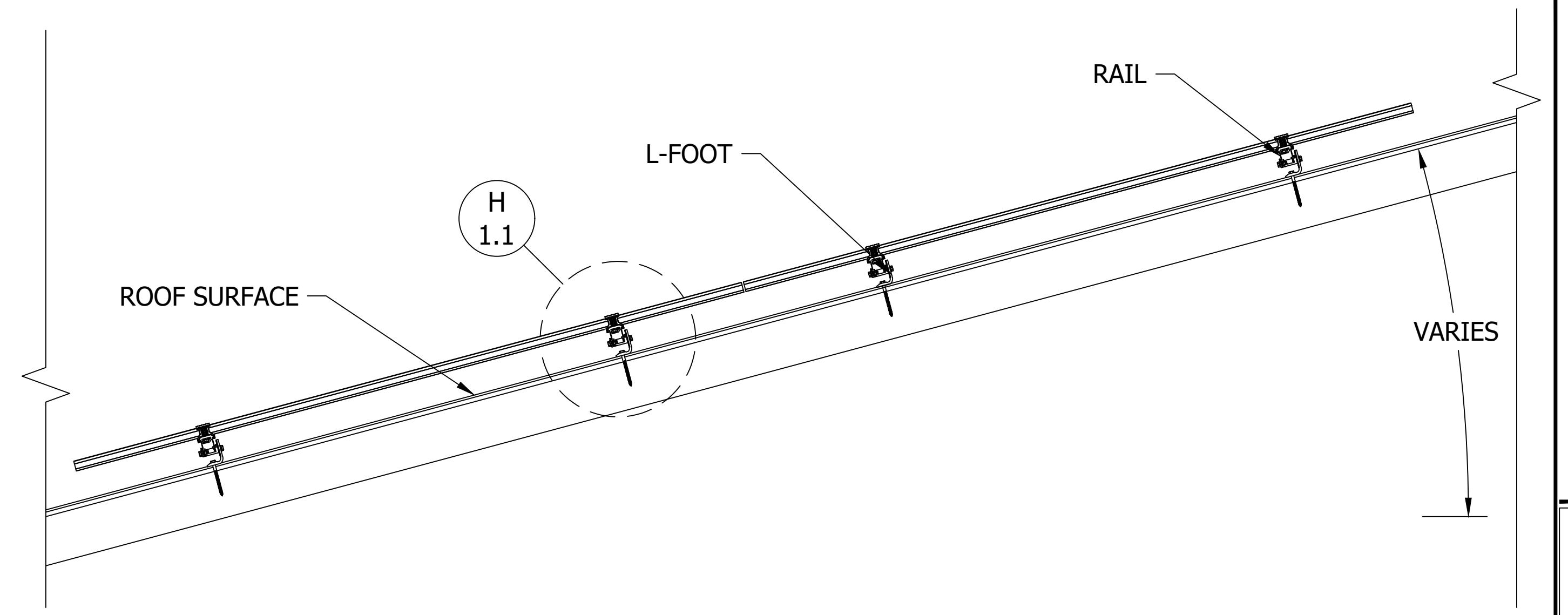


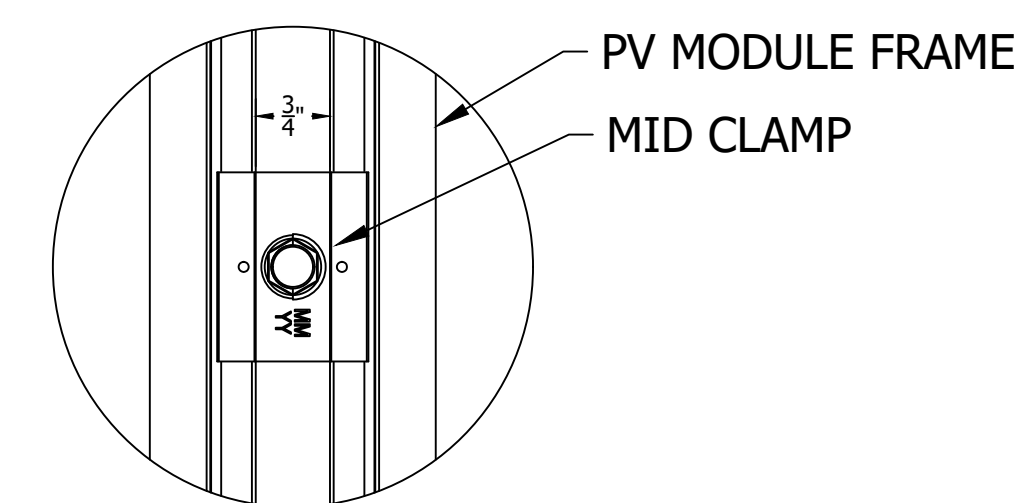
A PLAN VIEW, COMP ASSEMBLY, PORTRAIT MODULE
Scale: 1"=1'-0"



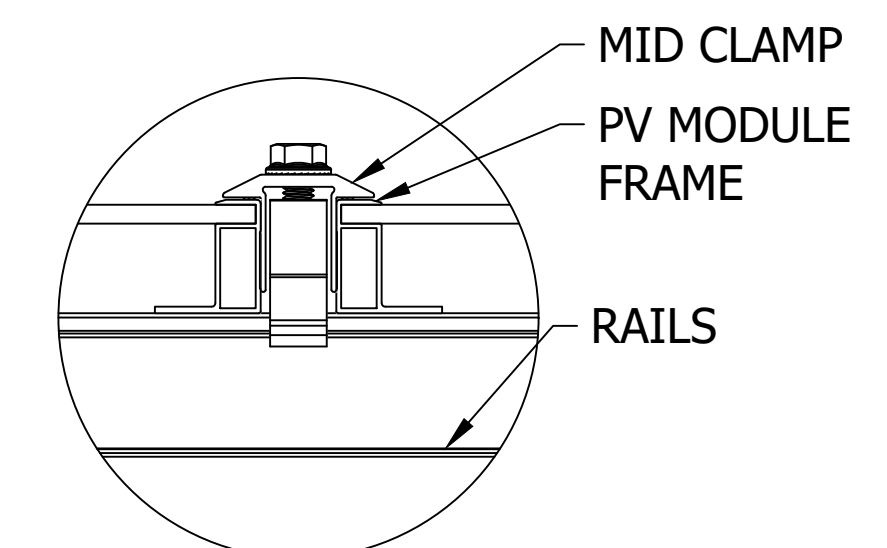
C FRONT VIEW, COMP ASSEMBLY, PORTRAIT MODULE
Scale: 1"=1'-0"



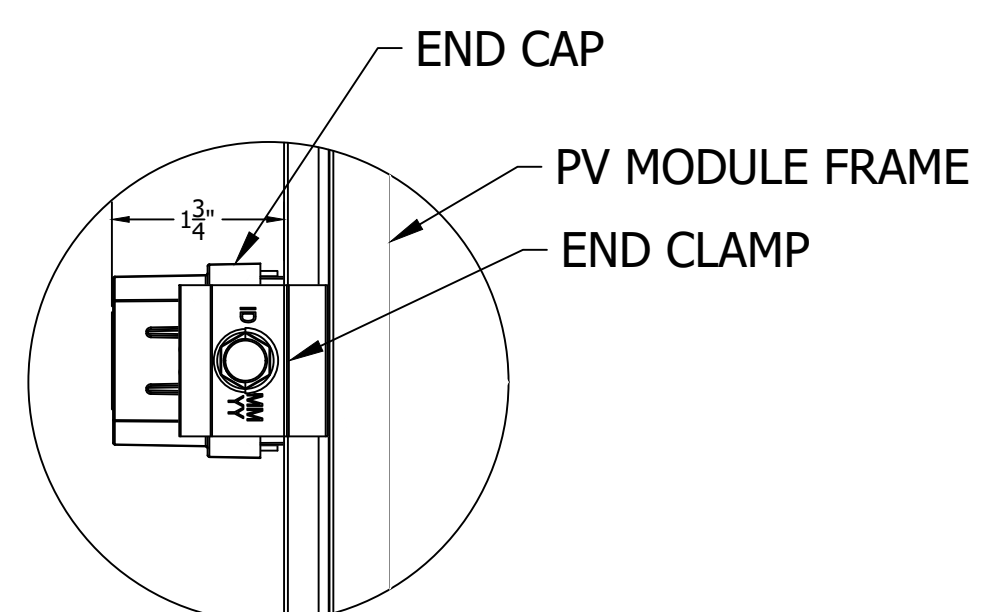
B SIDE VIEW, COMP ASSEMBLY, PORTRAIT MODULE
Scale: 1"=1'-0"



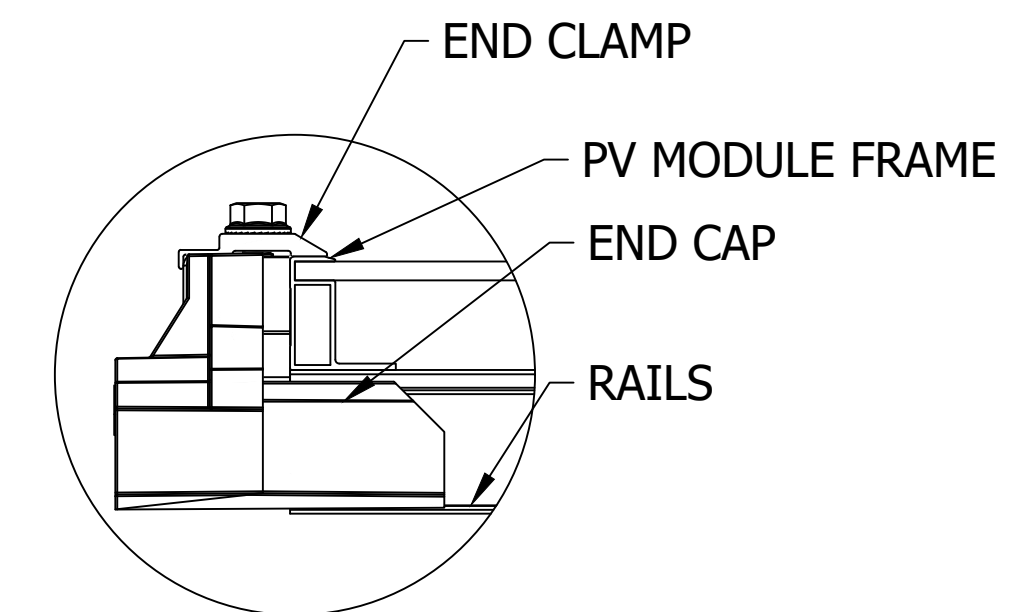
D DETAIL, MID CLAMP PLAN
Scale: 6"=1'-0"



E DETAIL, MID CLAMP FRONT
Scale: 6"=1'-0"



F DETAIL, END CAP AND CLAMP PLAN
Scale: 6"=1'-0"



G DETAIL, END CAP AND CLAMP FRONT
Scale: 6"=1'-0"

CLIENT NAME	ECOFASTEN
PROJECT NAME	SLOPED ROOF MOUNT SYSTEM
PROJECT ADDRESS	
SYSTEM KW DC	

WIND SPEED, MPH	-
SNOW LOAD, PSF	-
EXPOSURE CAT	-
RISK CAT	72-CELL, GENERIC
MODULE TYPE	-
MODULE W DC	-
MODULE QTY	-

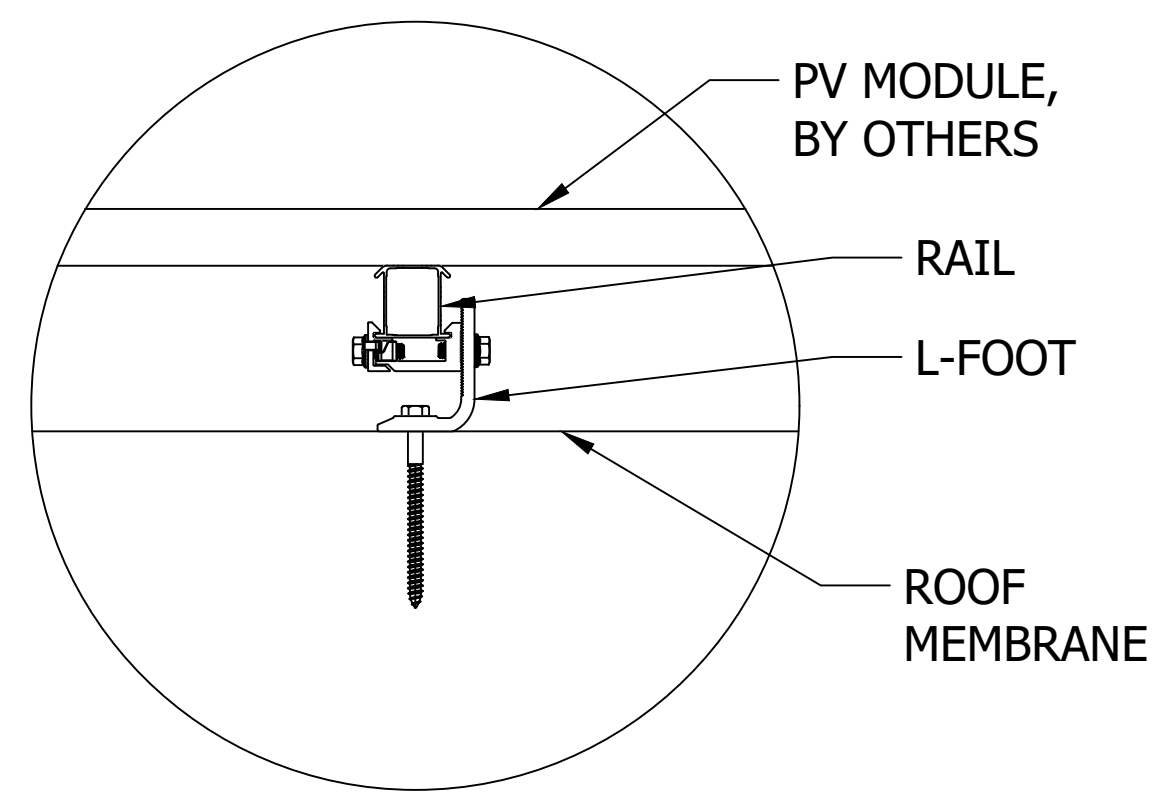
APPROVAL STATUS

NOT FOR CONSTRUCTION

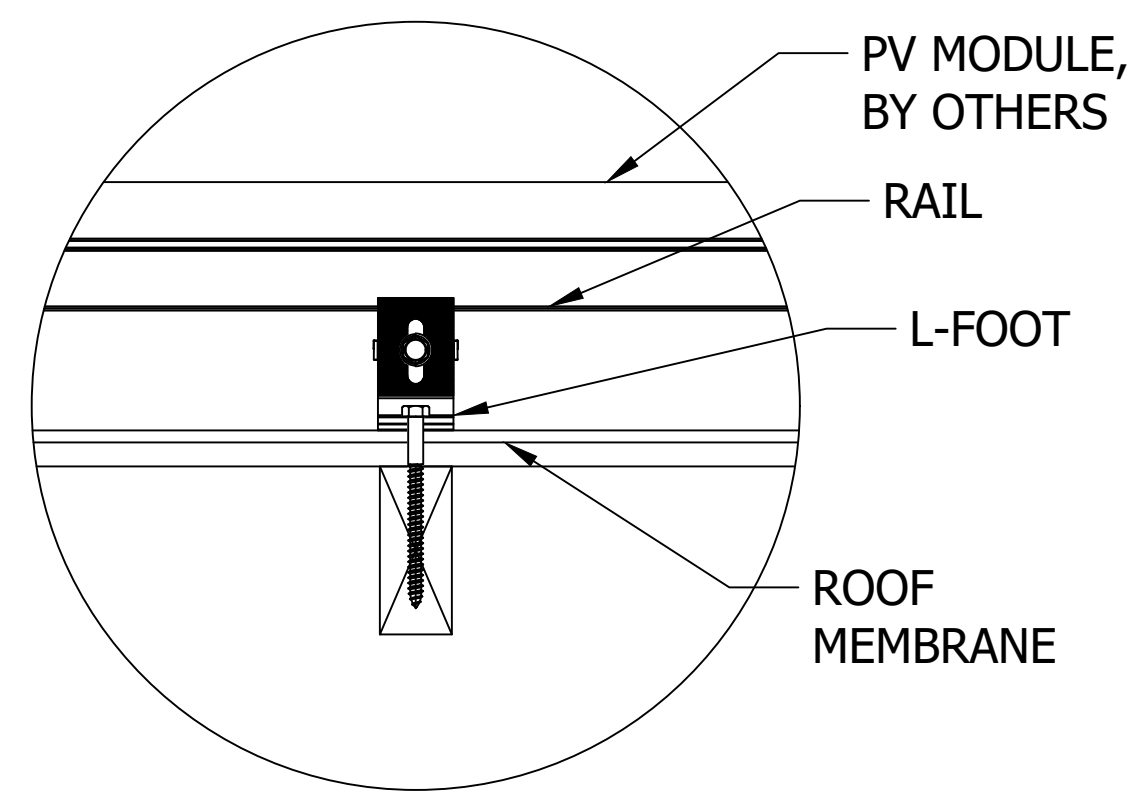
REV	DESCRIPTION	DATE

SHEET NAME
SLOPED ROOF PV SYSTEM
DETAILS: COMP ASSEMBLY - PORTRAIT

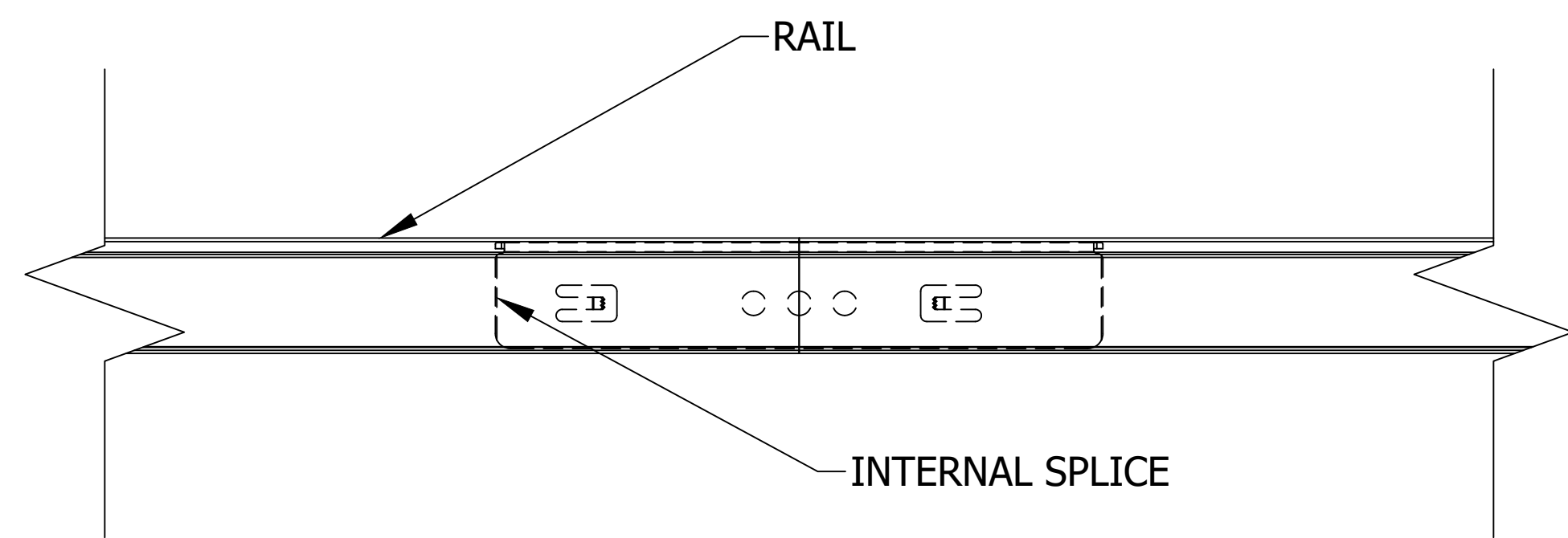
JOB NO.	1.1 SR
ISSUE DATE	SEP 2021
SHEET NO.	ECO 1.0
SHEET SIZE	24X36



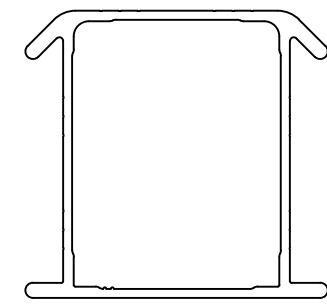
H L-FOOT DETAIL SIDE
Scale: 3"=1'-0"



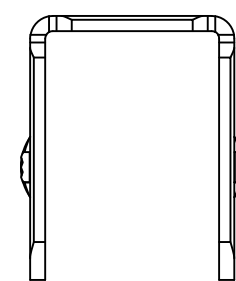
J L-FOOT DETAIL FRONT
Scale: 3"=1'-0"



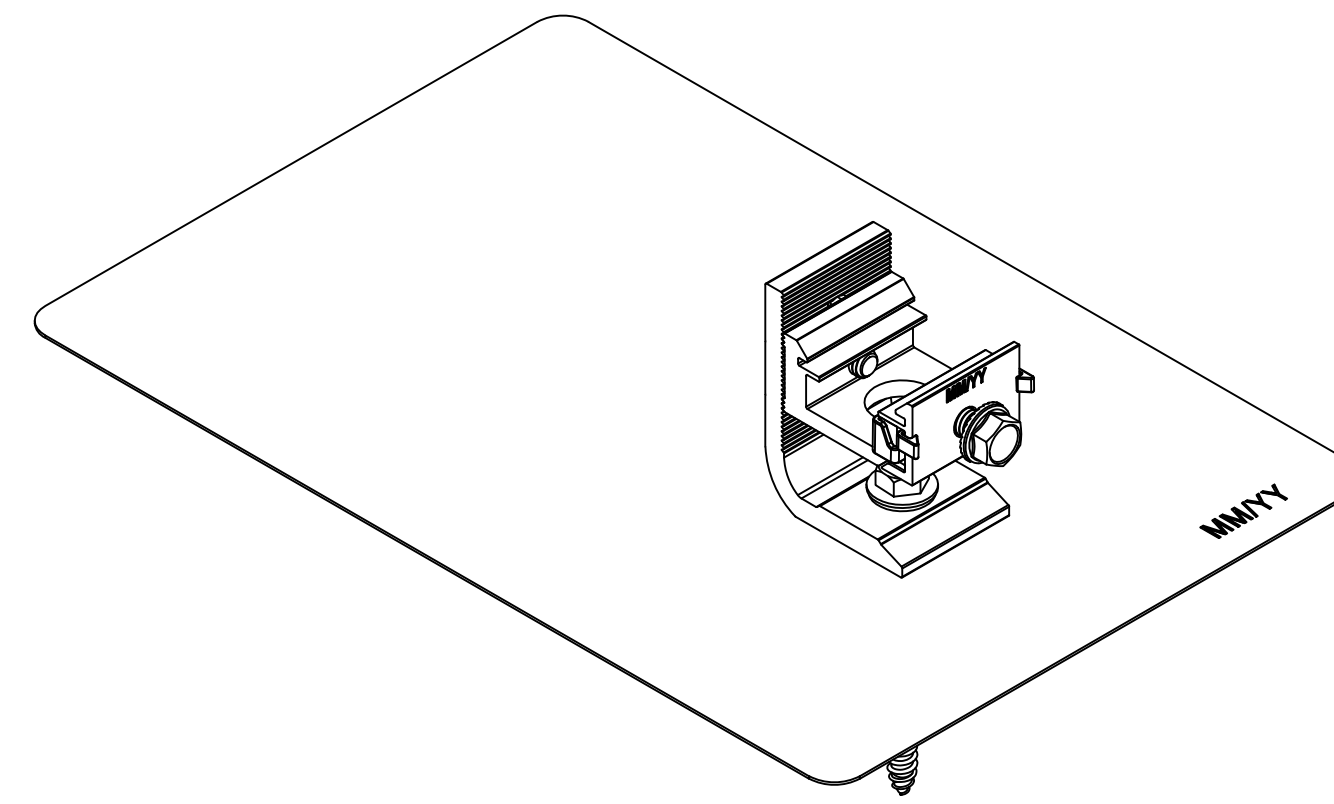
K DETAIL, SPLICE CONNECTION
6"=1'-0"



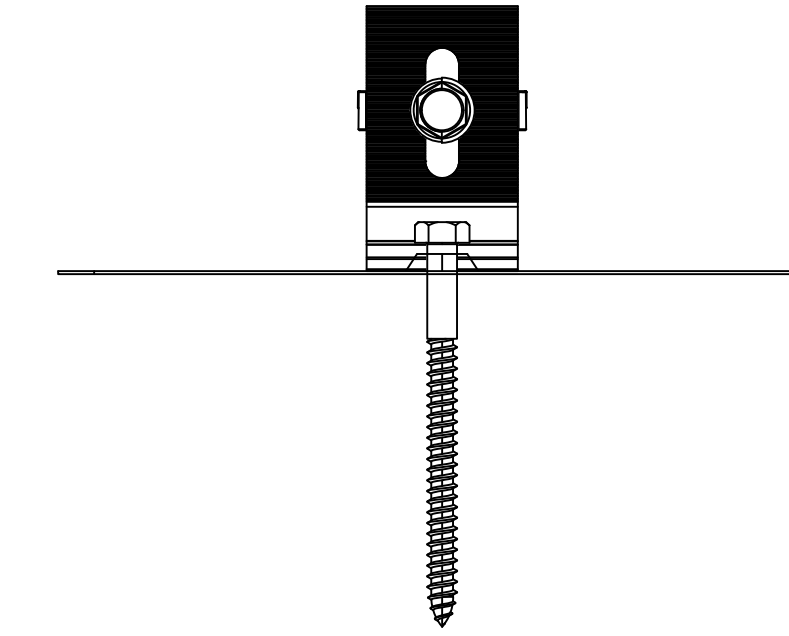
L DETAIL, RAIL
1'-0"=1'-0"



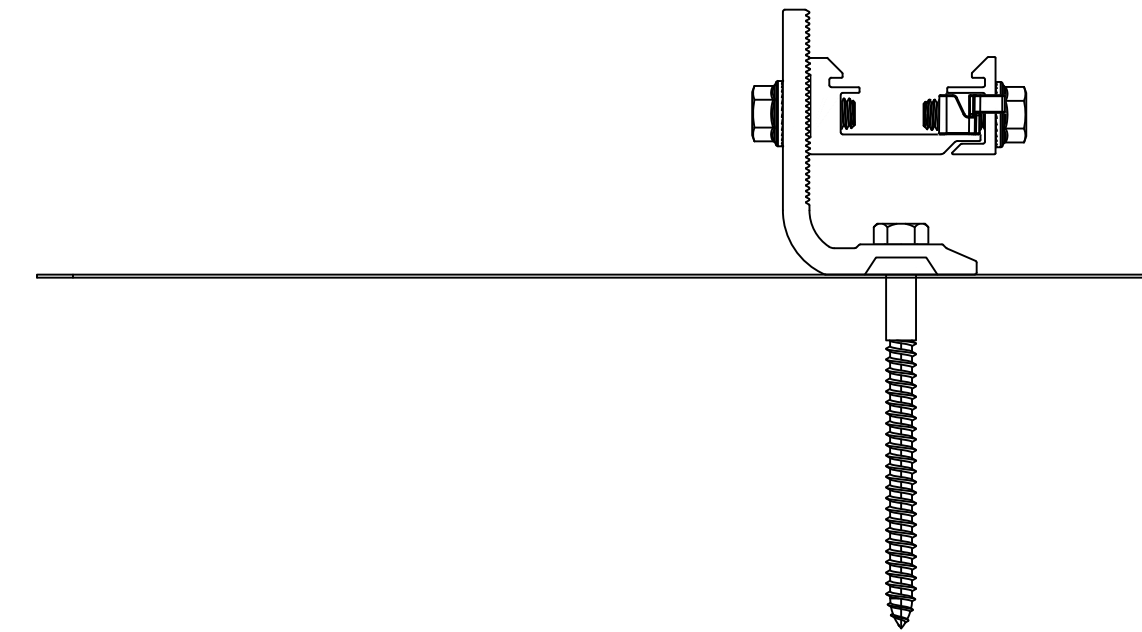
M DETAIL, SPLICE
1'-0"=1'-0"



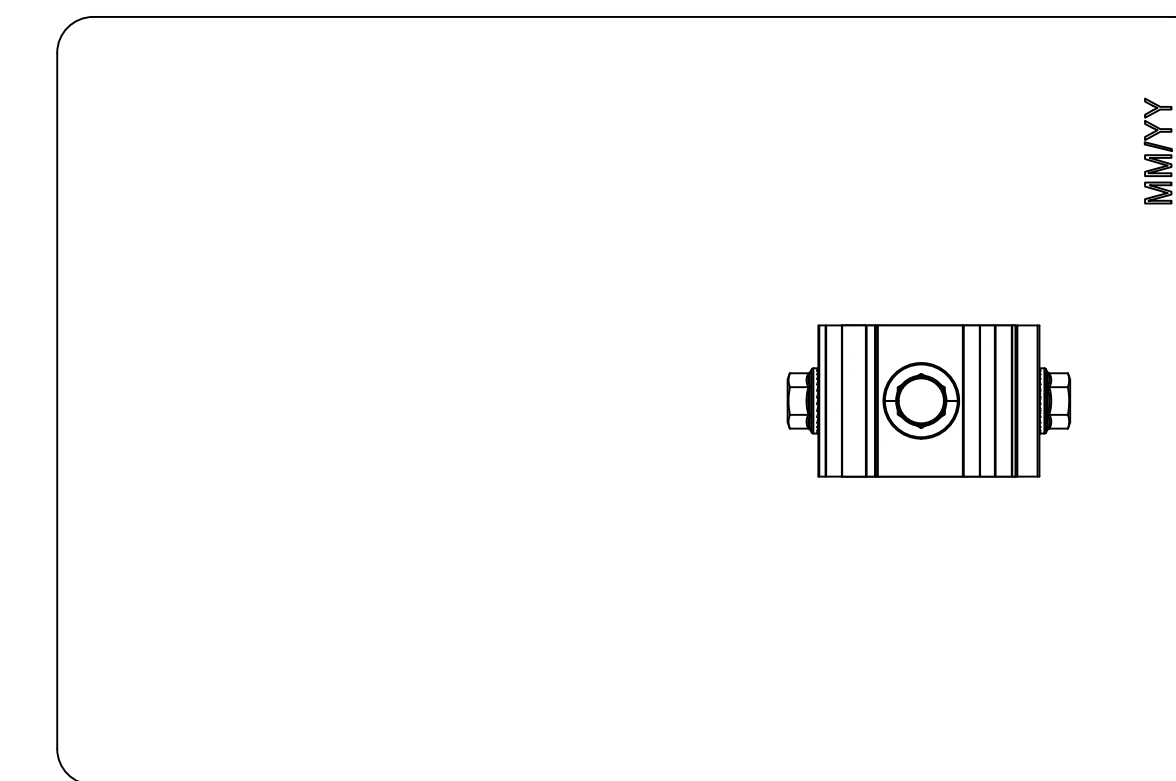
N ECOFASTEN L-FOOT



O ECOFASTEN L-FOOT, FRONT VIEW



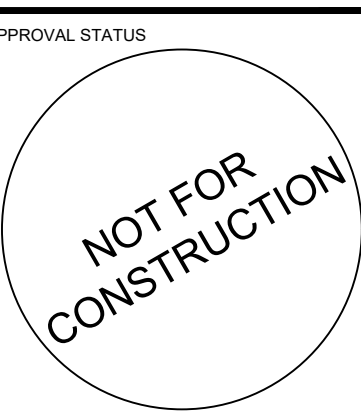
P ECOFASTEN L-FOOT, SIDE VIEW



Q ECOFASTEN L-FOOT, PLAN VIEW

CLIENT NAME	ECOFASTEN
PROJECT NAME	SLOPED ROOF MOUNT SYSTEM
PROJECT ADDRESS	
SYSTEM KW DC	

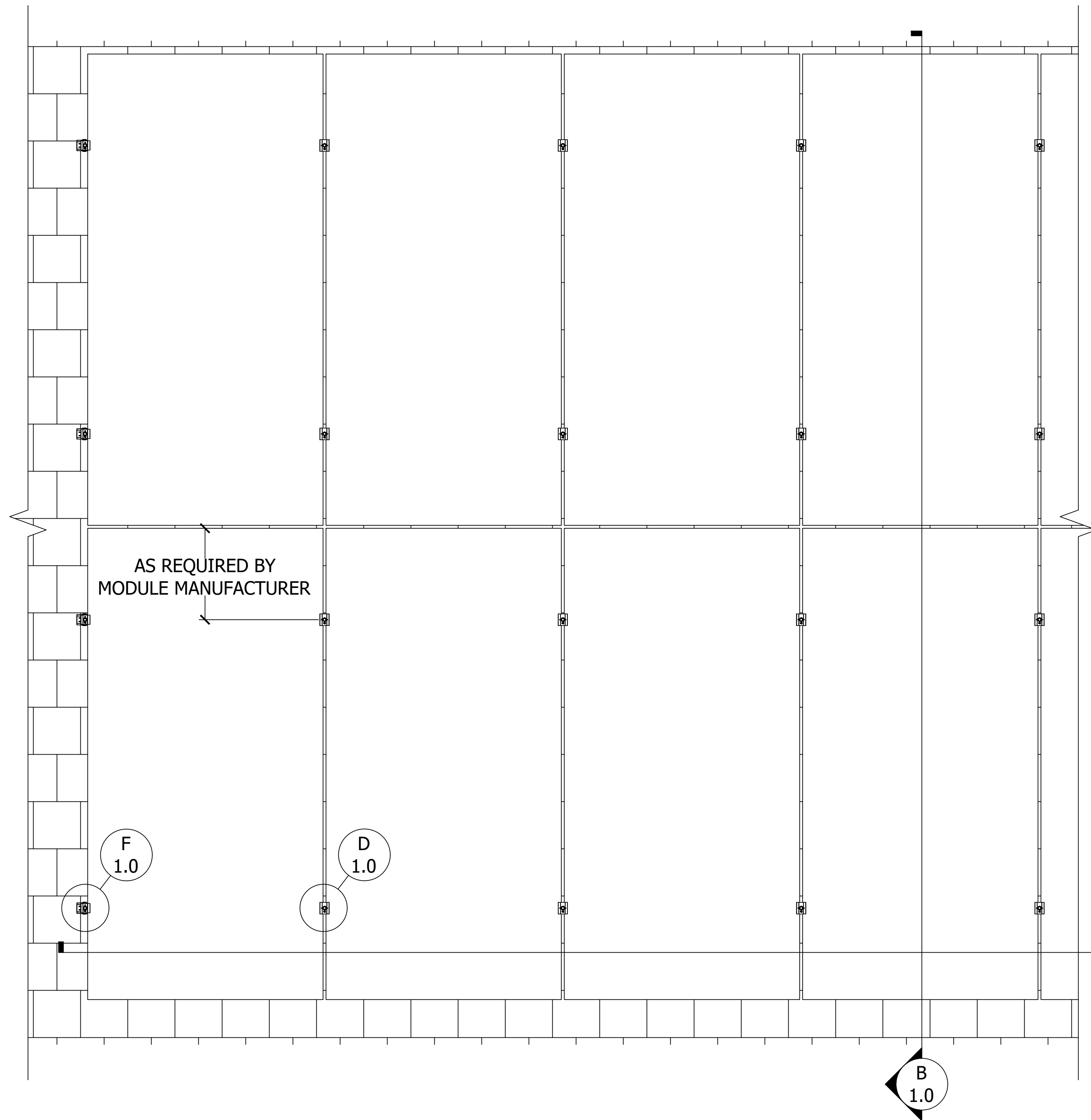
WIND SPEED, MPH	-
SNOW LOAD, PSF	-
EXPOSURE CAT	-
RISK CAT	72-CELL, GENERIC
MODULE TYPE	-
MODULE W DC	-
MODULE QTY	-



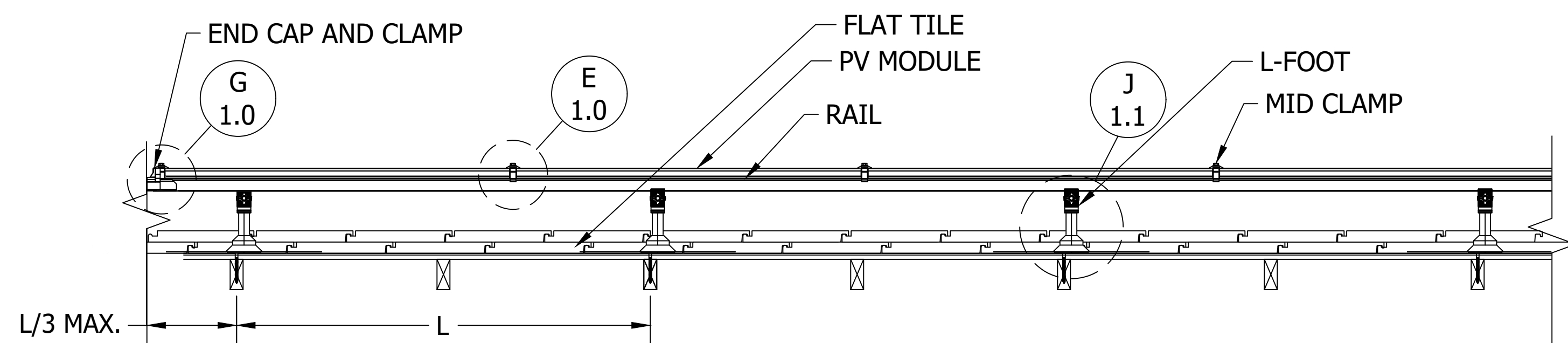
REV	DESCRIPTION	DATE

SHEET NAME
**SLOPED ROOF PV SYSTEM
DETAILS: L-FOOT
DETAILS**

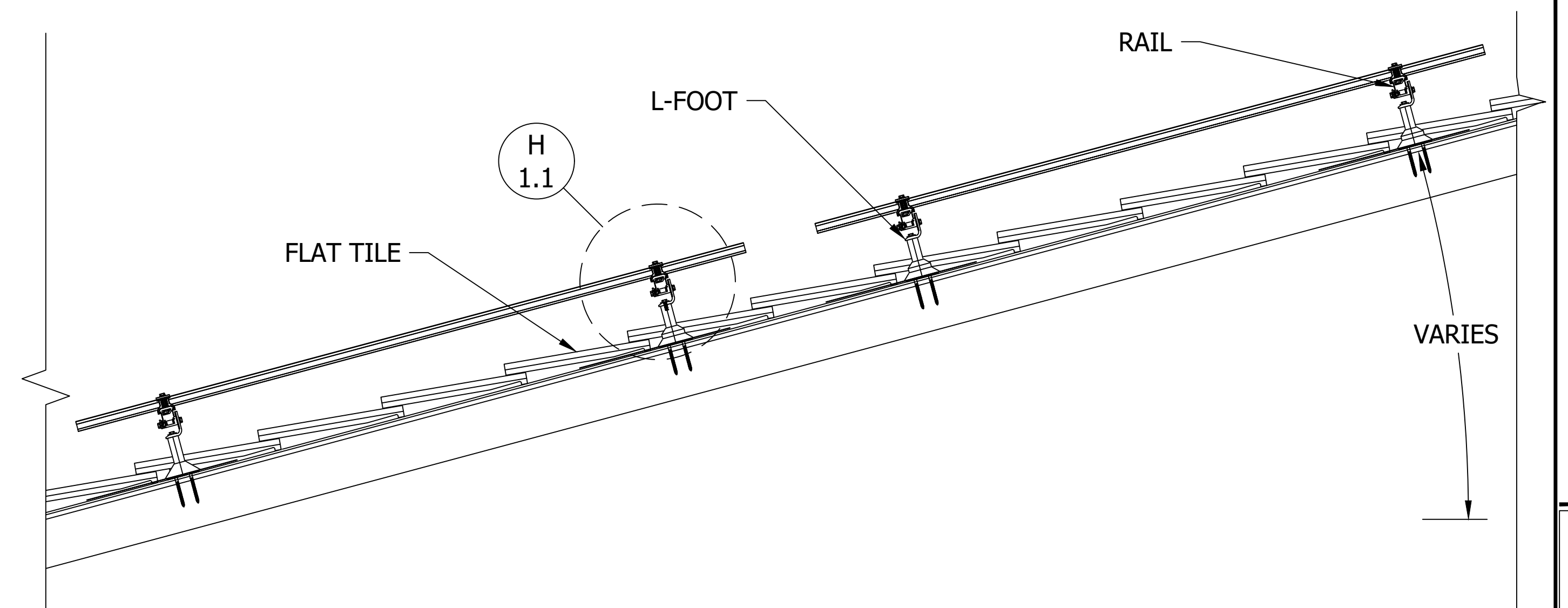
JOB NO.	3.1 SR
ISSUE DATE	SEP 2021
SHEET NO.	ECO 1.1
SHEET SIZE	24X36



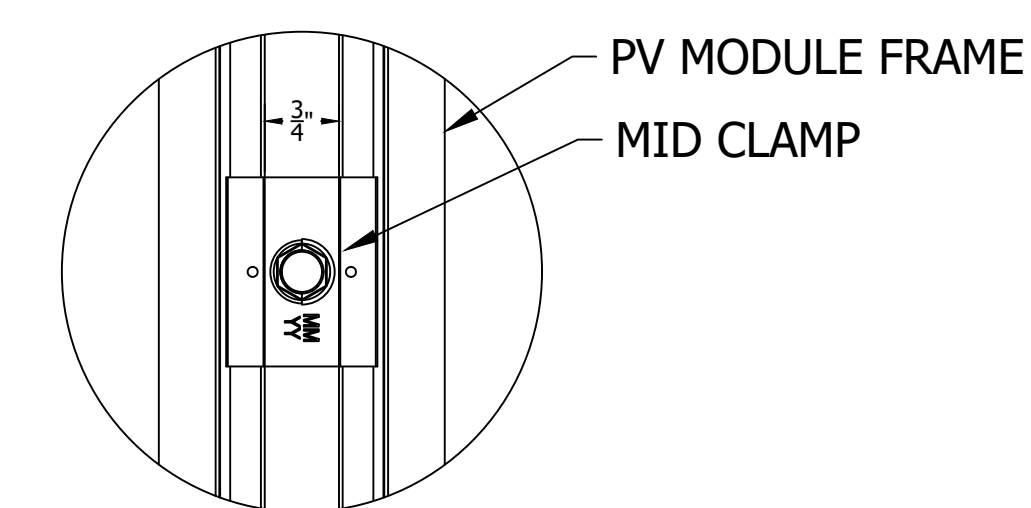
A PLAN VIEW, QB-1 ASSEMBLY, PORTRAIT MODULE
Scale: 1"=1'-0"



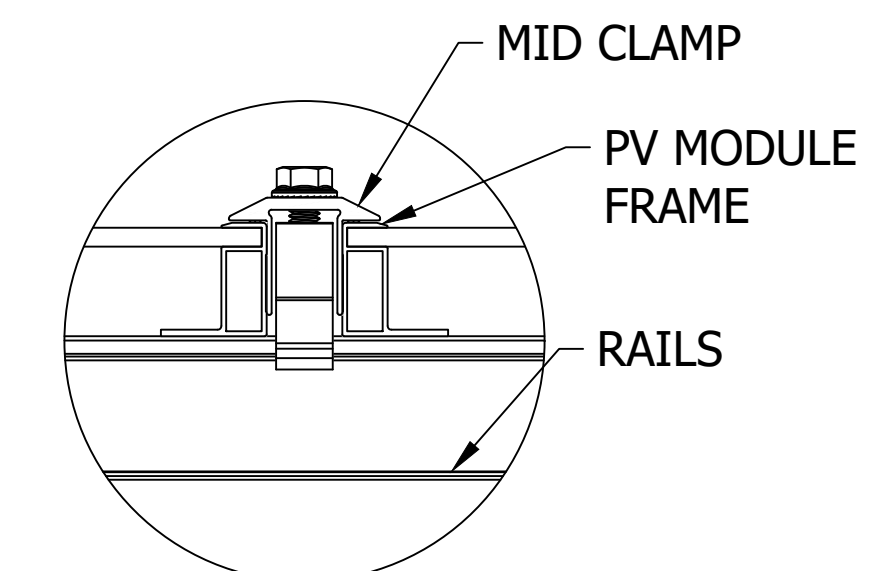
C FRONT VIEW, QB-1 ASSEMBLY, PORTRAIT MODULE
Scale: 1"=1'-0"



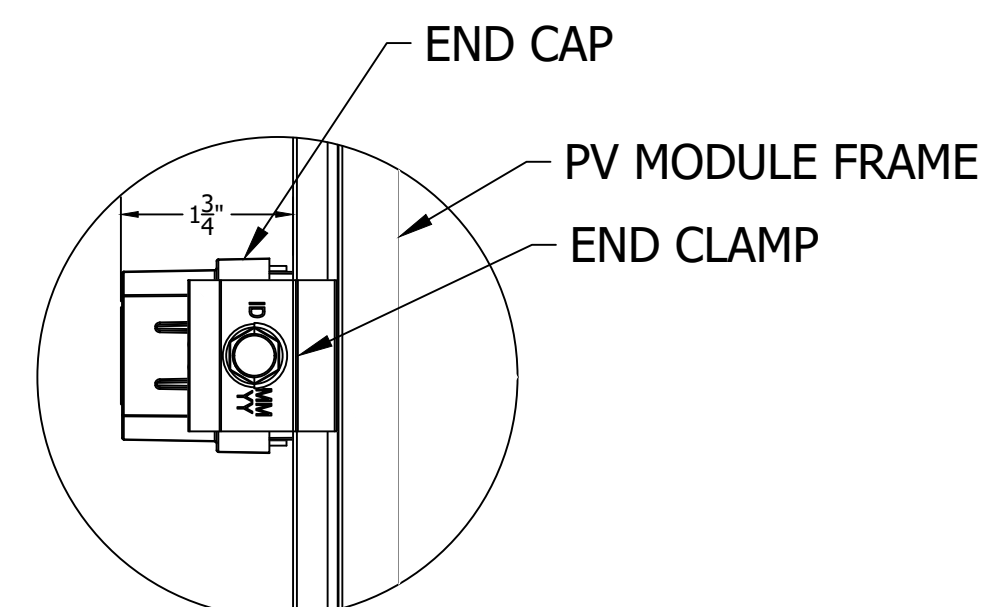
B SIDE VIEW, QB-1 ASSEMBLY, PORTRAIT MODULE
Scale: 1"=1'-0"



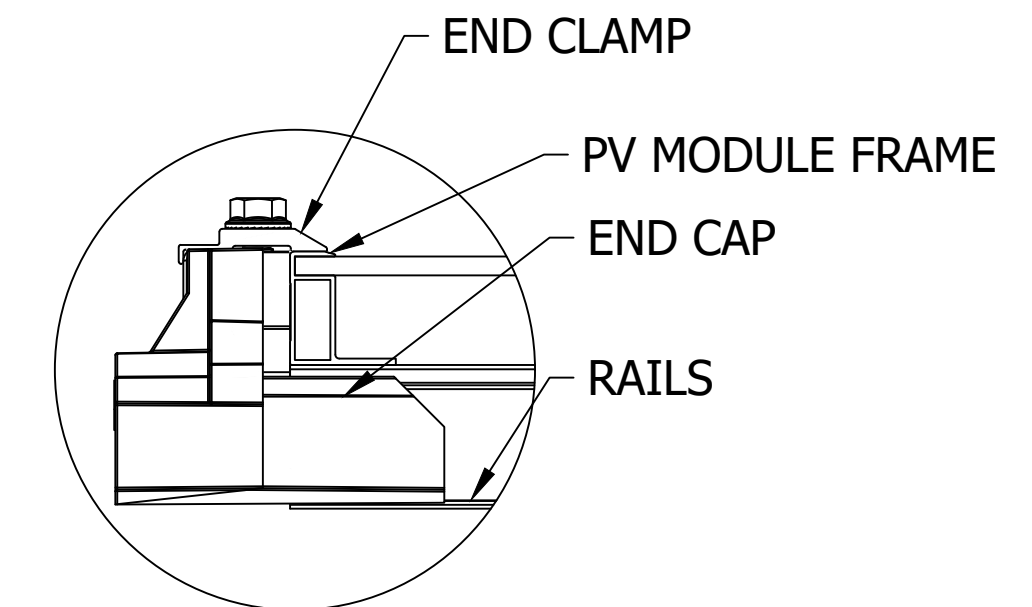
D DETAIL, MID CLAMP PLAN
Scale: 6"=1'-0"



E DETAIL, MID CLAMP FRONT
Scale: 6"=1'-0"



F DETAIL, END CAP AND CLAMP PLAN
Scale: 6"=1'-0"



G DETAIL, END CAP AND CLAMP FRONT
Scale: 6"=1'-0"

CLIENT NAME	ECOFASTEN
PROJECT NAME	SLOPED ROOF MOUNT SYSTEM
PROJECT ADDRESS	
SYSTEM KW DC	

WIND SPEED, MPH	
SNOW LOAD, PSF	
EXPOSURE CAT	
RISK CAT	
MODULE TYPE	72-CELL, GENERIC
MODULE W DC	
MODULE QTY	

APPROVAL STATUS

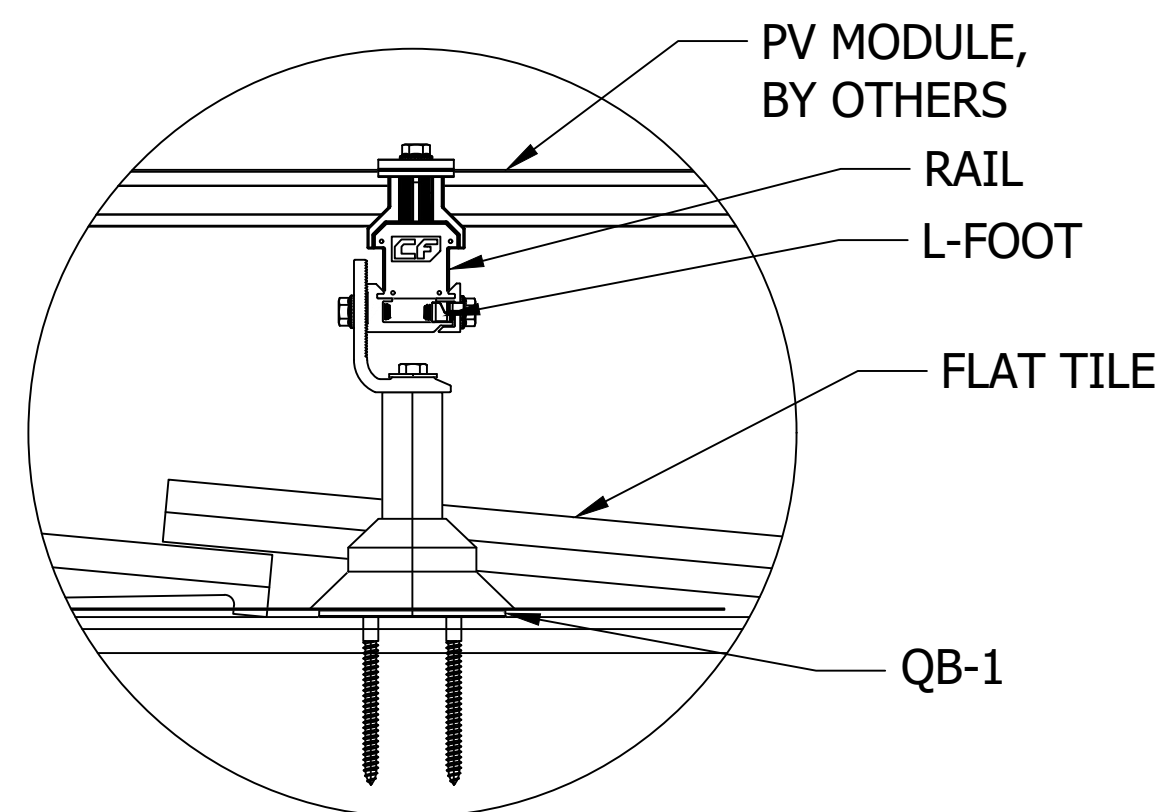
NOT FOR CONSTRUCTION

REV	DESCRIPTION	DATE

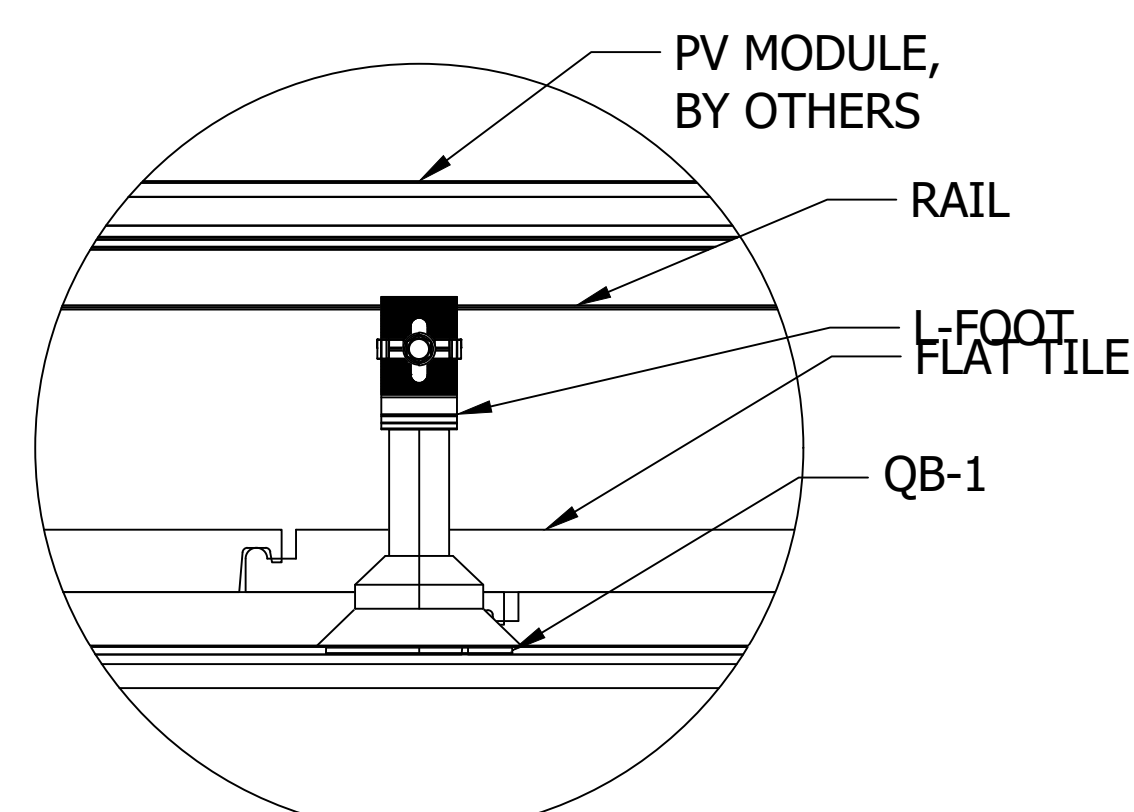
SHEET NAME

SLOPED ROOF PV SYSTEM DETAILS: QB-1 ASSEMBLY - PORTRAIT

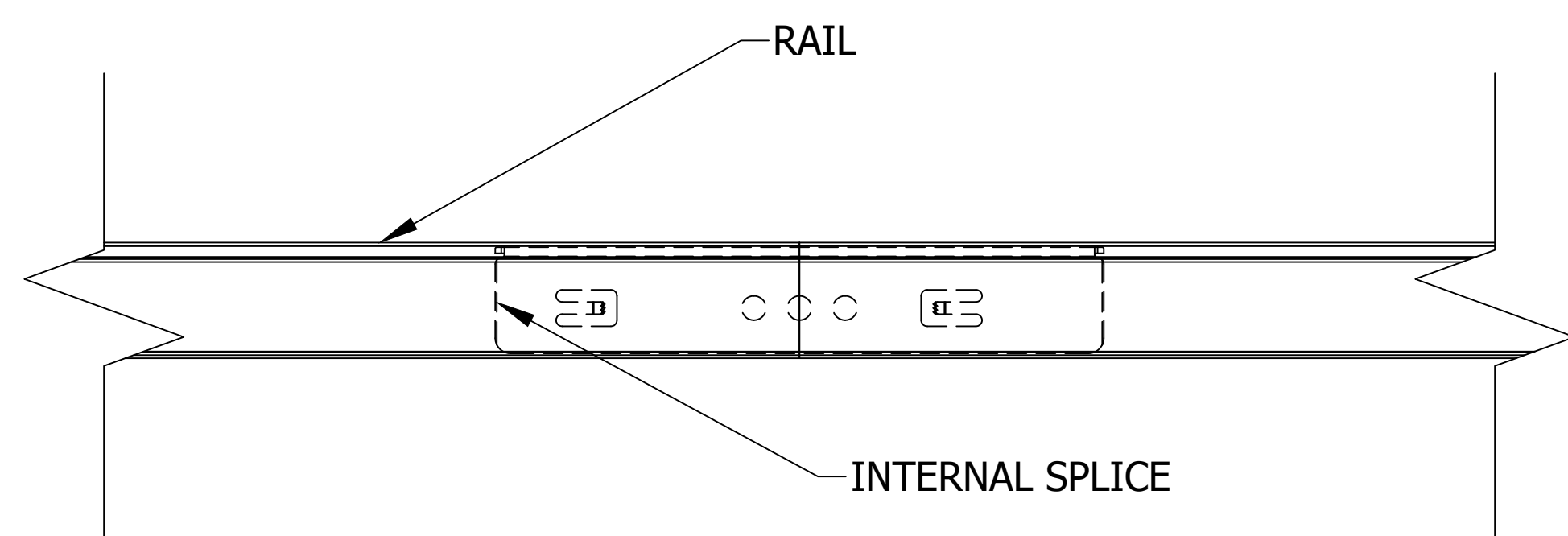
JOB NO.	1.2 SR
ISSUE DATE	SEP 2021
SHEET NO.	ECO 1.0
SHEET SIZE	24X36



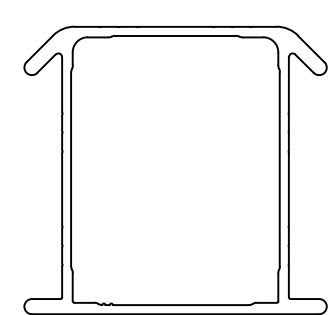
H QB-1 DETAIL SIDE
Scale: 3"=1'-0"



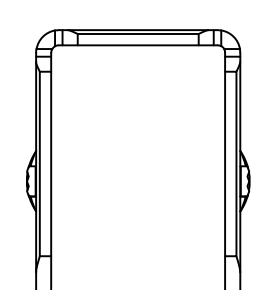
J QB-1 DETAIL FRONT
Scale: 3"=1'-0"



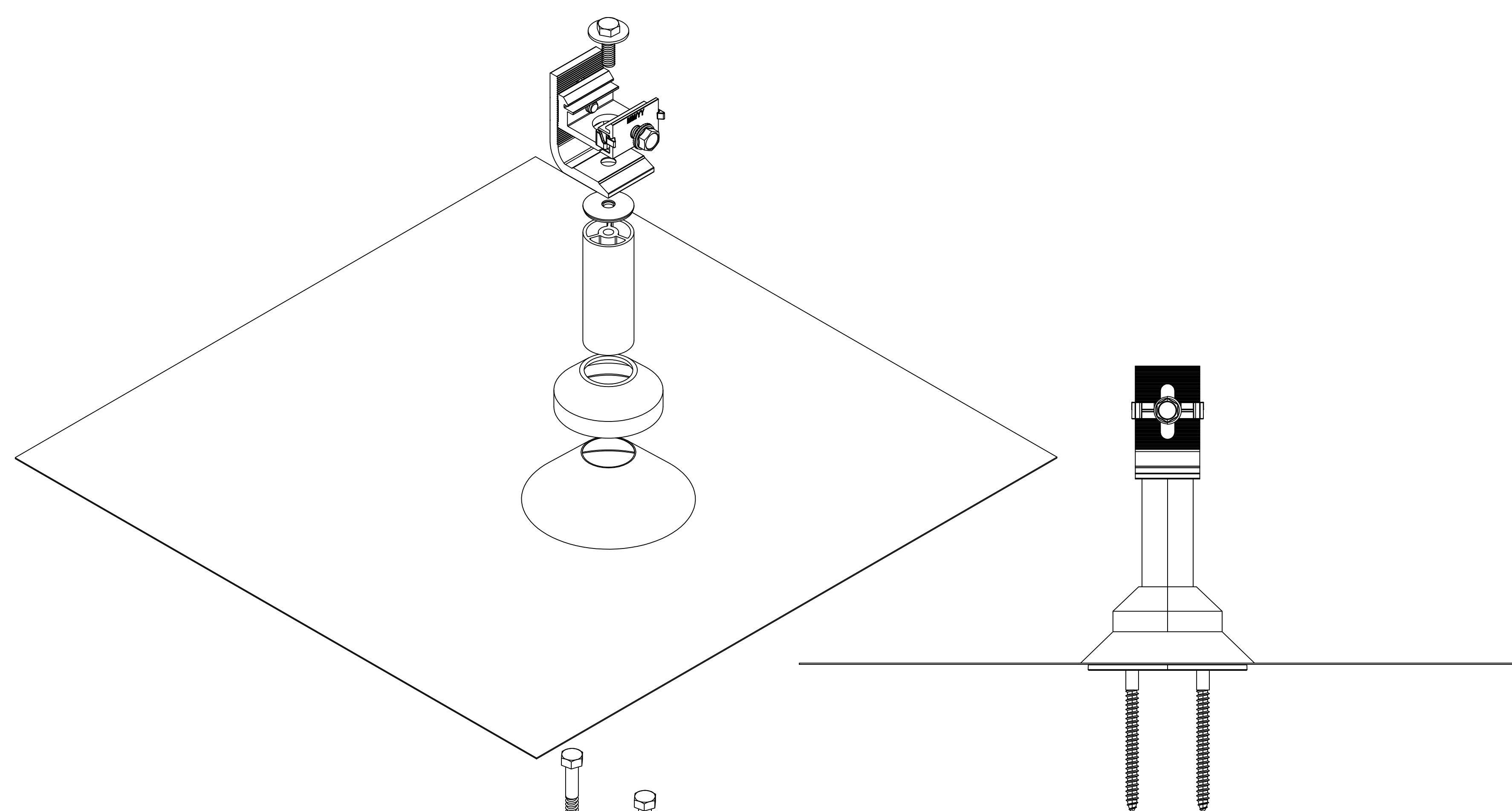
K DETAIL, SPLICE CONNECTION
6"=1'-0"



L DETAIL, RAIL
1'-0"=1'-0"



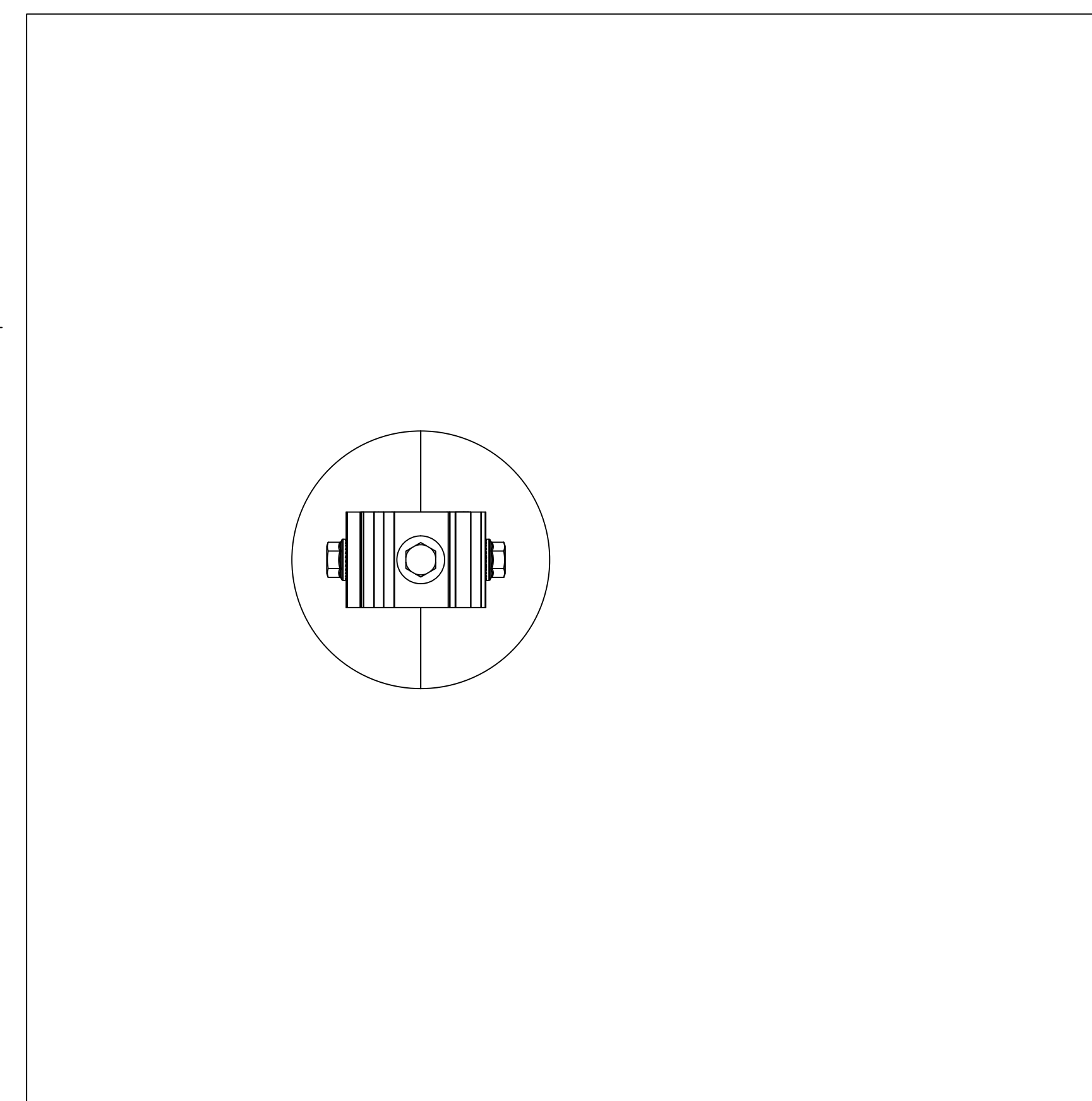
M DETAIL, SPLICE
1'-0"=1'-0"



O ECOFASTEN QB-1, FRONT VIEW

N ECOFASTEN QB-1

P ECOFASTEN QB-1, SIDE VIEW

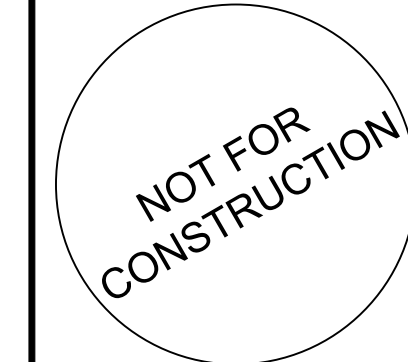


Q ECOFASTEN QB-1, PLAN VIEW

CLIENT NAME	ECOFASTEN
PROJECT NAME	SLOPED ROOF MOUNT SYSTEM
PROJECT ADDRESS	
SYSTEM KW DC	

WIND SPEED, MPH	-
SNOW LOAD, PSF	-
EXPOSURE CAT	-
RISK CAT	72-CELL, GENERIC
MODULE TYPE	-
MODULE W DC	-
MODULE QTY	-

APPROVAL STATUS



REVISION HISTORY

REV	DESCRIPTION	DATE

SHEET NAME

SLOPED ROOF
PV SYSTEM
DETAILS: QB-1
DETAILS

JOB NO.	3.1 SR
ISSUE DATE	SEP 2021
SHEET NO.	ECO 1.1
SHEET SIZE	24X36