
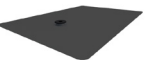
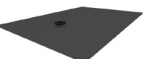



CONDUIT MOUNTS

AVAILABLE SYSTEM COMPONENTS

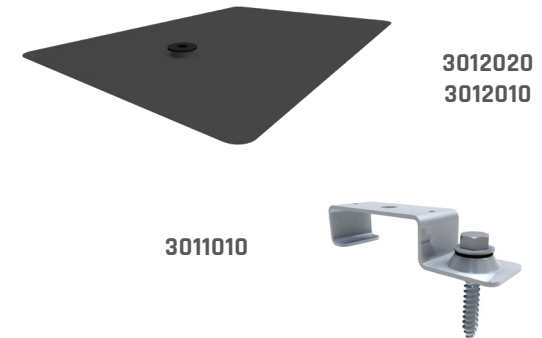
	PRODUCT IMAGE	PART NUMBER	PART DESCRIPTION	BOX QUANTITY	PALLET QUANTITY
MOUNTS	INCLUDES (1) 2" LAG BOLT AND (1) SS 8-18 X 3/4" TEK SCREW				
		3011010	CONDUIT BRKT COMP MLL	50	10350
MOUNTS	INCLUDES (1) SS 8-18 X 3/4" TEK SCREW				
		3011011	CONDUIT BRKT TILE MLL	60	4320
FLASHINGS	ASSEMBLED WITH (1) GF GROMMET				
		3012010	GF-1 FLASHING GLV BLK 8X12"	50	3000
FLASHINGS		3012020	GF-1 FLASHING GLV BLK 8X10" (NO WASHER)	50	3600
ACCS	SOLD SEPARATELY IN PACKAGES OF 50				
		3016015	SIMPLESEAL EPDM BUSHING (50)	50/10000	80000

*CONDUIT CLAMP NOT INCLUDED. COMPATIBLE WITH ALL CONDUIT CLAMPS USING INCLUDED TEK SCREWS.

CHOOSE YOUR ROOF TYPE:

COMPOSITION SHINGLE ROOF:

COMBINE FLASHING AND CONDUITMOUNT BRACKET



METAL ROOF:

COMBINE SIMPLE SEAL WITH CONDUIT MOUNT BRACKET



TILE ROOF:

HOOKS DIRECTLY ONTO THE TILE.

