

ECO-65[™]

THE SPECIALTY DIRECT-TO-DECK ATTACHMENT FOR MEMBRANE ROOFS

ECO-65 is engineered specifically for use on new or existing (retrofit) low slope roofs. Countless ballasted solar racking manufacturers rely on it for weight-reduction augmentation and as a seismic attachment method. The ECO-65 base plate is designed for attachment specifically to wood blocking or wood decking. The mount utilizes two studs for attachment, allowing the use of larger compression brackets.

FEATURES & BENEFITS

- Engineered for low slope roofs
- Specialized solution to match any proprietary hardware
- Wide footprint for optimum load dispersal
- Direct-to-deck attachment

**WATERTIGHT SOLUTION COMPATIBLE
WITH ANY RACKING SYSTEM**



Low Slope

ROOF TYPE



Rail-Based
Rail-Less

RACKING

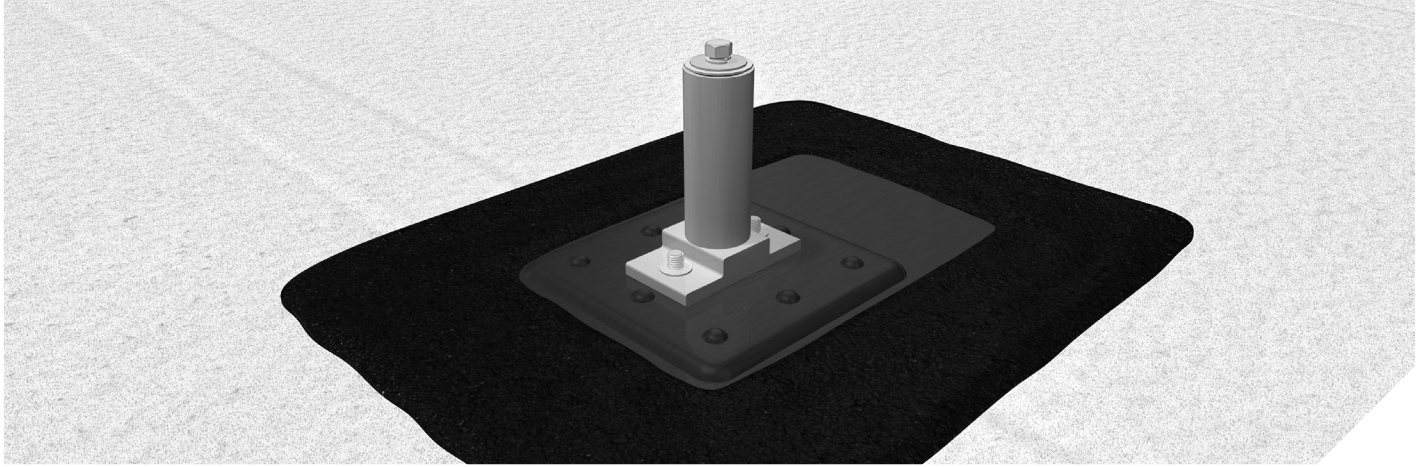


Structural-Attach
Direct-Attach

ATTACHMENT

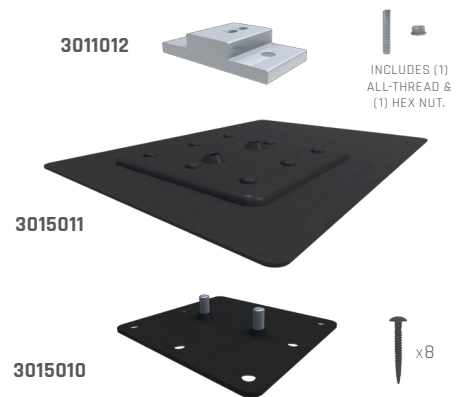


ECO-65™ THE SPECIALTY DIRECT-TO-DECK ATTACHMENT FOR MEMBRANE ROOFS



	PRODUCT IMAGE	PART NUMBER	PART DESCRIPTION	BOX QUANTITY	PALLET QUANTITY
ASSEMBLED WITH (2) SS FLAT HEAD BOLTS 5/16" -18X1 AND INCLUDES (2) EPDM BONDED WASHERS AND (2) HEX NUTS					
ECO-65		3015010	ECO-65 BASE SS 6X5.5"	25	1500
		3011012	F-202 BRKT MLL 3.75"	50	4800
INCLUDES (2) 5/16" EPDM SEALING WASHERS					
FLASHING		3015011	ECO-65 FLASHING AL BLK 10X14"	50	4050
INCLUDES (1) 3/8"-16X1 1/2" CUP PT SET SCREW AND (1) 3/8"-16 FLANGE NUT					
BRACKETS		2012022	CF UNIV L-FOOT MLL 3" (NO HARDWARE NEEDED)	50	4800
		3011018	L-FOOT SCL-101 BLK 3"	50	6000
		3011015	L-FOOT L-102 BLK 3"	50	6000
		3011017	L-FOOT SCL-101 MLL 3"	50	6000
INCLUDES (1) 4" LAG SCREW AND (1) EPDM BONDED WASHER					
FASTENERS		3016010	DECK SCREW CS #15X2"	1000	60000
		3016011	DECK SCREW CS #15X3"	1000	60000
		3016012	DECK SCREW CS #15X4"	1000	45000
ACCS.		3015012	ECO-65 EPDM PATCH 12X12"	50	2700

ECO-65 SYSTEM



CHOOSE YOUR BRACKET:



ECO-65 IS ALSO COMPATIBLE WITH THIRD-PARTY BRACKETS