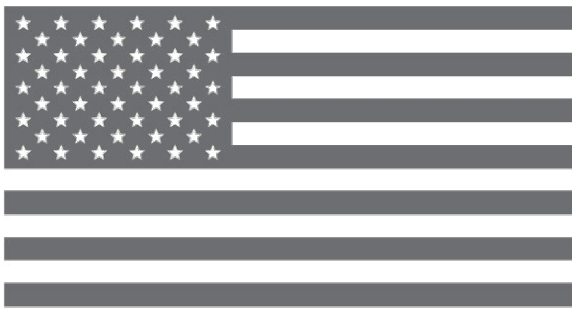




DOMESTIC CONTENT TRACEABILITY



GUIDANCE FOR IDENTIFYING PRODUCTS

1295 W. WASHINGTON STREET, SUITE 110, TEMPE, AZ 85288
877-859-3947 | INFO@ECOFASTENSOLAR.COM | ECOFASTENSOLAR.COM

Domestic Traceability

Taxpayers wishing to claim the Inflation Reduction Act's (IRA) 10% Domestic Content Bonus Credit (DCBC) on their solar projects must file certain declarations on their tax returns as well as retain certain records about the location of fabrication of the products used. In addition to the filing requirements, it is possible that the IRS may request additional information substantiating any DCBC claims as part of an audit.

EcoFasten has taken a series of measures in simplifying the process of substantiating that its DCBC-eligible products have been used on a given project. Three specific measures make it possible for taxpayers to identify the DCBC-eligible products at the procurement, inventory management, and field deployment stages of any project:

- 1. Procurement departments and project engineers can easily identify and order the DCBC-eligible parts.** All of EcoFasten's DCBC-eligible products have unique part numbers, accompanied by descriptions that include "US", to facilitate identification in a parts list.
- 2. Carton and bundle labels use distinct indicators for DCBC-eligible products.** Label coloring, marking, and inclusion of the part description including "US" facilitate differentiation of DCBC-eligible parts on the loading dock, inside the warehouse, and on the job site.
- 3. Parts have unique marks identifying their origin at US fabricators.** This document shows the location of specific marks that are made only on DCBC-eligible parts. We include these marks to ensure identification of DCBC-eligible parts that are installed on the job site, even after they have been removed from their packaging.

The remainder of this Guide provides specific information, by part, to make it easier to verify that DCBC-eligible parts make up a project using EcoFasten mounting solutions.

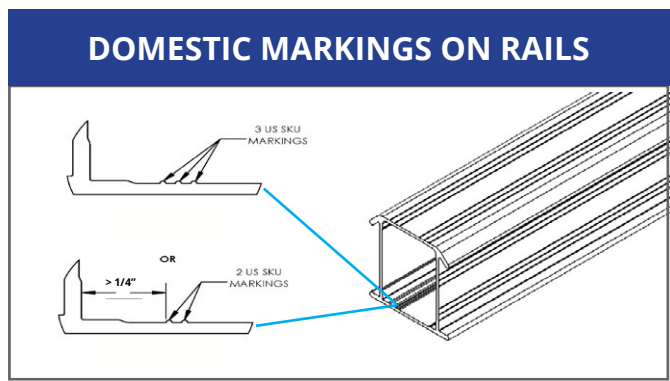
DOMESTIC CONTENT TRACEABILITY

GUIDANCE FOR IDENTIFYING PRODUCTS

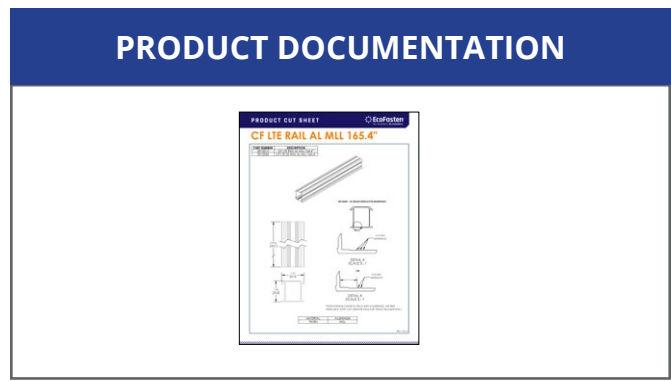


Domestic Identifiers

Domestically-produced rails will have a US encircled logo on their labels. For domestically-extruded EcoFasten ClickFit rails, the dies used to extrude these rail profiles have been modified to clearly demarcate the product as domestic content. Additionally, each domestic extruder that EcoFasten uses has their own die to enable further traceability down-stream.



Non-rail products, like our domestically-produced fasteners, will have orange product labels on their boxes and gaylords. Lastly, each domestic content product provided by EcoFasten will have its own Technical Data Sheet, Cut Sheet, and/or other product assets showing part numbers and product marks.



DOMESTIC CONTENT TRACEABILITY

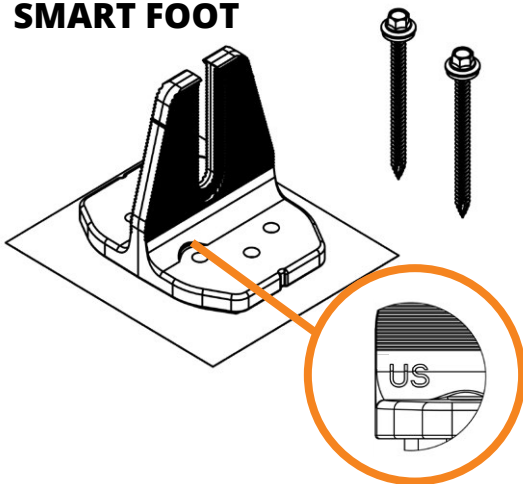
GUIDANCE FOR IDENTIFYING PRODUCTS



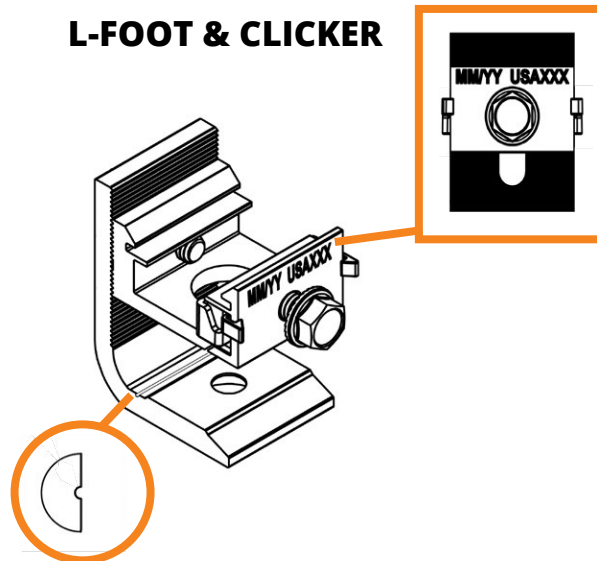
You'll find "US" embossed on EcoFasten domestic content fasteners and some product components, like the L-Foot on our traditional metal flashing, will have a protruding line. See images below for markings specific to the ClickFit and RockIt Systems

ADDITIONAL CLICKFIT SYSTEM DOMESTIC MARKINGS

SMART FOOT

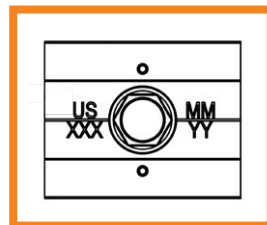
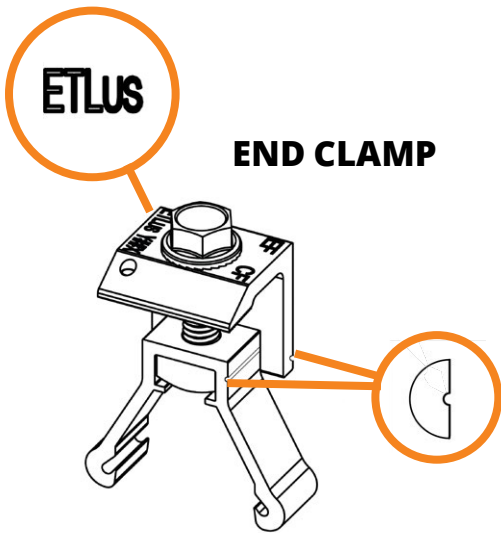


L-FOOT & CLICKER

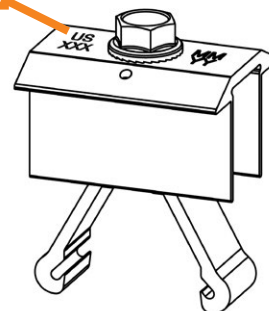


ETLUS

END CLAMP



MID CLAMP



DOMESTIC CONTENT TRACEABILITY

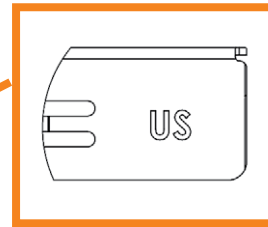
GUIDANCE FOR IDENTIFYING PRODUCTS



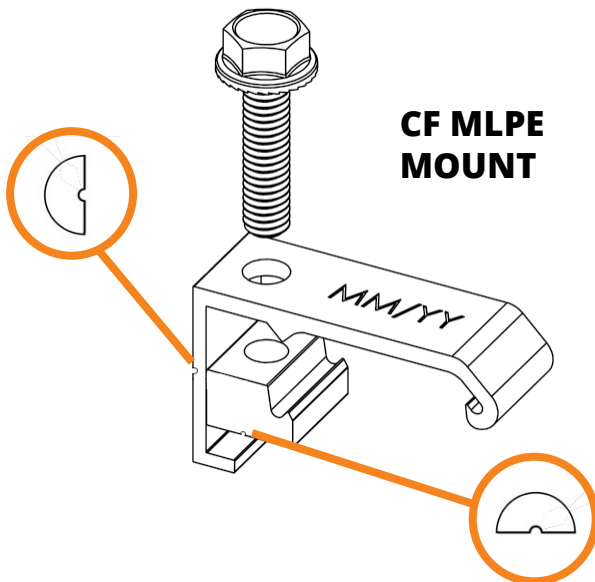
You'll find "US" embossed on EcoFasten domestic content fasteners and some product components, like the L-Foot on our traditional metal flashing, will have a protruding line. See images below for markings specific to the ClickFit and RockIt Systems

ADDITIONAL CLICKFIT SYSTEM DOMESTIC MARKINGS

CF SPLICE



CF MLPE MOUNT



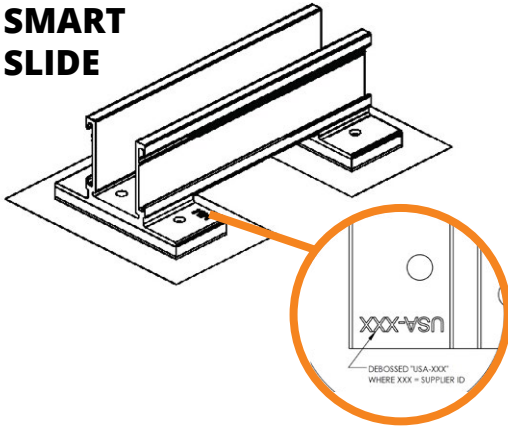
DOMESTIC CONTENT TRACEABILITY

GUIDANCE FOR IDENTIFYING PRODUCTS

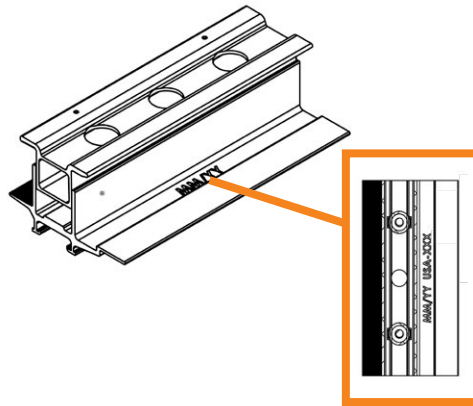


ROCKIT SYSTEM DOMESTIC MARKINGS

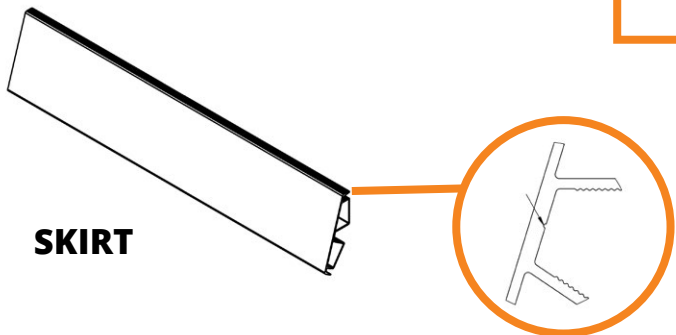
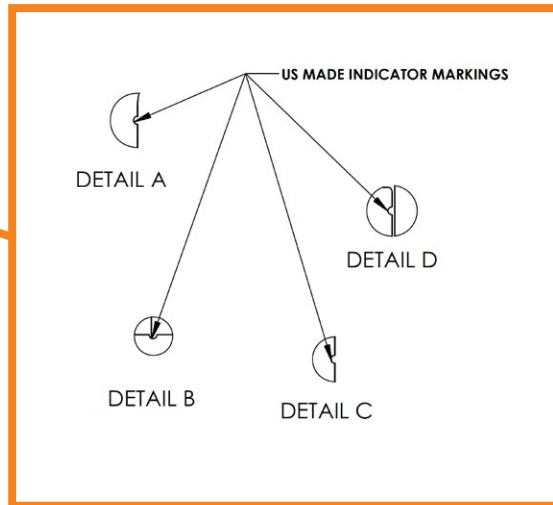
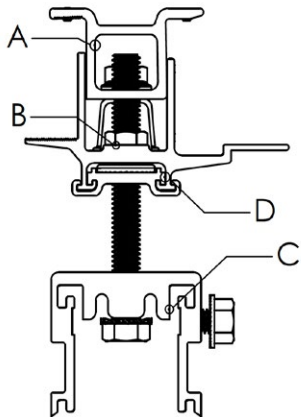
SMART SLIDE



COUPLING



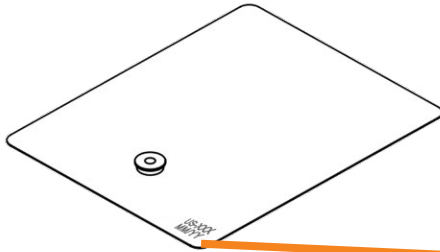
MOUNT



SKIRT

ADDITIONAL DOMESTIC MARKINGS

GF-1 FLASHING



US-XXX
MM/YY

ECOFA
STE US ML

FRAME MLPE MOUNT

