

# SIM SUPPORT




## WATERTIGHT BRACKET WITH CENTER LIFT

The SimSupport bracket is designed with two attachment points and a SimpleSeal bushing to ensure a watertight attachment. It also features a center lift for additional height that can accommodate any third-party bracket or EcoFasten compression bracket. The mount has a narrow footprint, which makes it ideal for valleys between ribs or ridges on metal roofs.

### FEATURES & BENEFITS

- Patented watertight technology
- Compatible with a variety of EcoFasten compression brackets and solar roof mounting components
- Two attachment points for optimum pullout values
- Fastener spacing allows for 2 fasteners per wood rafter

## STURDY, DUAL FASTENER MOUNT FOR NARROW VALLEYS

 ROOF TYPE	Metal
 RACKING	Rail-Based
 ATTACHMENT	Structural-Attach



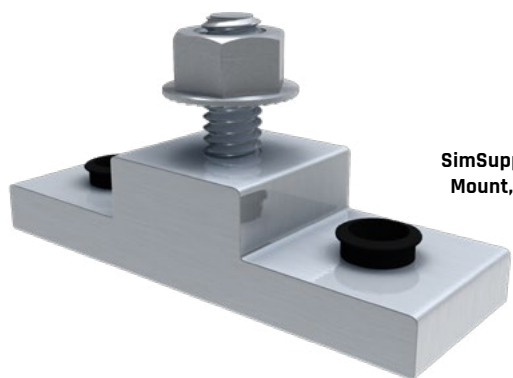
# SIMSUPPORT



**WATERTIGHT BRACKET  
WITH CENTER LIFT**

## CONFIGURATION OPTIONS

### 1. SIM SUPPORT



**SimSupport  
Mount, AL**

### 2. CHOOSE YOUR BRACKET:



**Open Slot L-Foot  
3", Black Anodized**



**ClickFit Universal L-Foot  
3", Mill Finish**

SIMSUPPORT IS ALSO COMPATIBLE WITH THIRD-PARTY BRACKETS

[VIEW THE COMPLETE PARTS LIST](#)