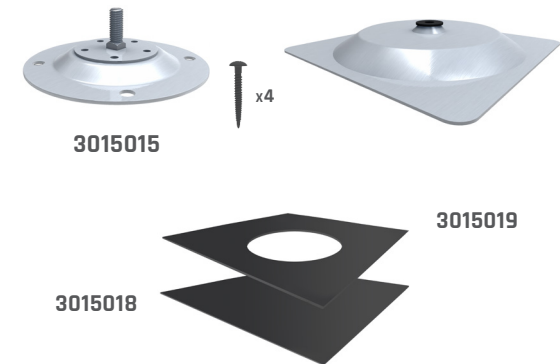


	PRODUCT IMAGE	PART NUMBER	PART DESCRIPTION	BOX QUANTITY	PALLET QUANTITY
BASES	ASSEMBLED WITH (1) GF GROMMET AND INCLUDES (1) SS EPDM BONDED WASHER AND (1) SS FLANGE NUT				
		<b>3015015</b>	SIMPLEGRIP BASE ASSEMBLY AL	50	1800
	INCLUDES (1) ROOF LEVEL AND (1) UPPER LEVEL BUTYL TAPE				
		<b>3015018</b>	SIMPLEGRIP ADHESIVE BOTTOM	25/250	5000
		<b>3015019</b>	SIMPLEGRIP ADHESIVE TOP	25/250	5000
BRACKETS	INCLUDES (1) HEX FLANGE BOLT, FULL THREAD 5/16"-18, UNIVERSAL CLICKER X 3/4"				
		<b>2012022</b>	CF UNIV L-FOOT MLL 3"	50	4800
	INCLUDES (1) 3/8"-16 X 1.25" HEX HD CAP SCREW AND (1) 3/8"-16 FLANGE NUT FOR RACKING				
		<b>3011018</b>	L-FOOT SCL-101 BLK 3"	50	6000
	INCLUDES (1) 2" LAG BOLT AND (1) SS 8-18 X 3/4" TEK SCREW				
		<b>3011010</b>	CONDUIT BRKT COMP MLL	50	10350
	INCLUDES (1) 4" LAG SCREW AND (1) EPDM BONDED WASHER (PRE-ASSEMBLED)				
		<b>2011013</b>	RI COMP SLIDE AL BLK	50	3600
FASTENERS		<b>3016010</b>	DECK SCREW CS #15X2"	1000	60000
		<b>3016011</b>	DECK SCREW CS #15X3"	1000	60000
		<b>3016012*</b>	DECK SCREW CS #15X4"	1000	45000

\*LIMITED QUANTITIES AVAILABLE

### SIMPLEGRIP-SQ:



### CHOOSE YOUR BRACKET:

