



# **SIMPLE GRIP-SQ**<sup>®</sup>

THE SELF-FLASHED SOLUTION FOR  
ROLLED AND MEMBRANE ROOFS

## INSTALLATION GUIDE

**REVISION:** 2/12/24

**VERSION:** V3.1

# SIMPLEGRIP-SQ

## INSTALLATION GUIDE



*CLICKING THE PAGE NAME WILL TAKE YOU TO THAT PAGE*

<a href="#"><u>TABLE OF CONTENTS</u></a>	<a href="#"><u>PAGE 01</u></a>
<a href="#"><u>FEATURES &amp; BENEFITS</u></a>	<a href="#"><u>PAGE 02</u></a>
<a href="#"><u>COMPONENTS</u></a>	<a href="#"><u>PAGE 03</u></a>
<a href="#"><u>INSTALLATION</u></a>	<a href="#"><u>PAGE 04</u></a>
<a href="#"><u>LINE DRAWINGS</u></a>	<a href="#"><u>PAGE 07</u></a>
<a href="#"><u>SPECIFICATIONS</u></a>	<a href="#"><u>PAGE 14</u></a>

# SIMPLEGRIP-SQ

## INSTALLATION GUIDE



## SIMPLEGRIP-SQ

SimpleGrip-SQ is designed to attach PV modules to rolled or membrane roofs with pitches from 1/4:12 - 21:12. The base is compressed between two layers of adhesive to create a watertight seal without the need for additional flashing. The compression plate protects the adhesive and features a watertight grommet that can be combined with any EcoFasten bracket.

## FEATURES

- Patented Watertight Technology
- Four self-drilling screws optimum uplift and fast installation
- UV Ray shielded mastic prevents degradation
- Installs without cutting into the roof

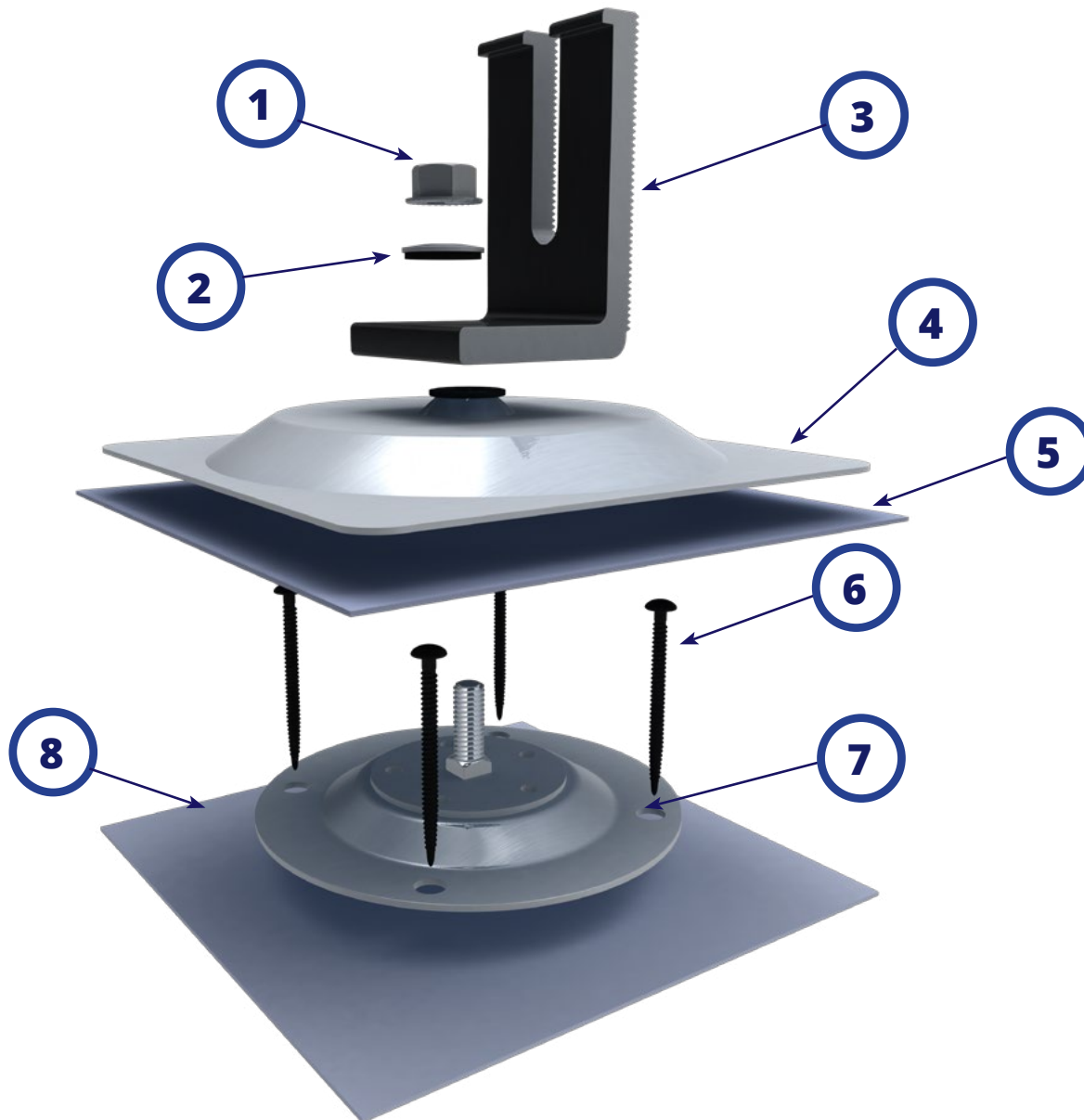
FEATURES+ BENEFITS

# SIMPLEGRIP-SQ

## INSTALLATION GUIDE



### SYSTEM COMPONENTS



- |                                              |                                                |
|----------------------------------------------|------------------------------------------------|
| 1. 5/16" SERRATED FLANGE NUT                 | 5. ADHESIVE TOP                                |
| 2. 5/16" EPDM BONDED SEALING WASHER          | 6. #15-13 SELF DRILLING FASTENER<br>(2 OR 4X)  |
| 3. L-FOOT SCL-101 BLK 3"                     | 7. SIMPLEGRIP BASE ASSEMBLY AL (BASE<br>PLATE) |
| 4. SIMPLEGRIP BASE ASSEMBLY AL<br>(FLASHING) | 8. ADHESIVE BOTTOM                             |

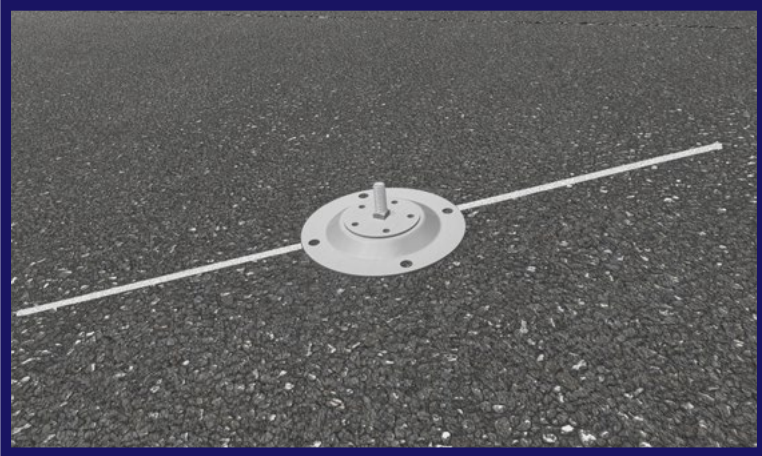
COMPONENTS

# SIMPLEGRIP-SQ

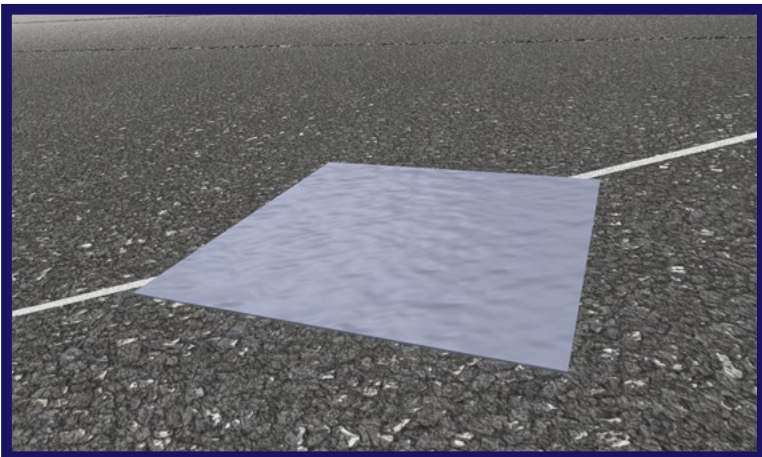
## INSTALLATION GUIDE



## INSTALLING SIMPLEGRIP-SQ

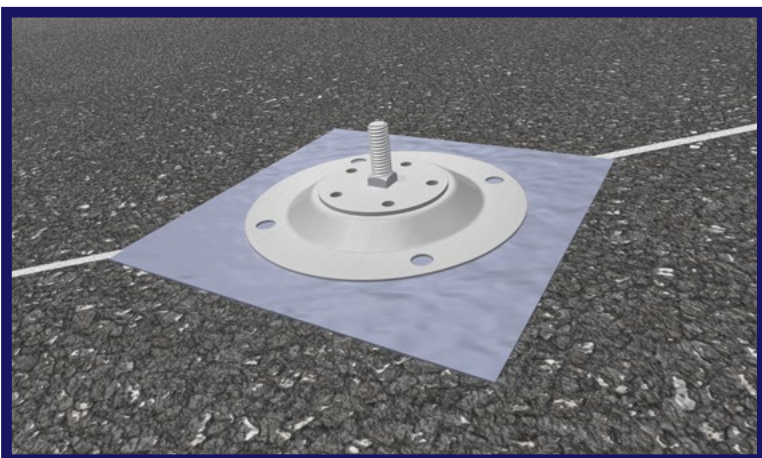


Locate and mark off rafters then determine location for the SimpleGrip-SQ Base Plate over the rafter. Pre-drill a single 1/8" hole into roof to confirm rafter location.



Clear the mount location of debris with a brush or compressed air. Peel off release liner from one side of Adhesive Bottom and place and roll onto roof surface at the marked location of the Base Plate.

\*See NOTES below for working with EternaBond Adhesive.



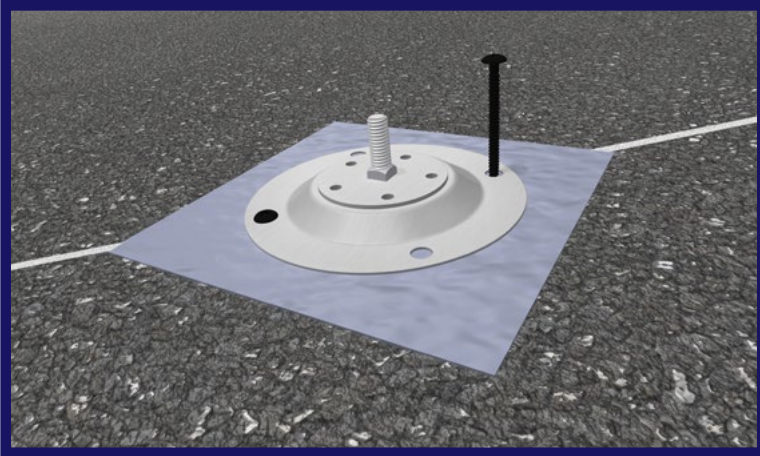
Peel off and remove the top side of the release liner from the Adhesive Bottom sheet and place Base Plate in the center of the Adhesive Bottom, taking care that mounting holes are oriented over the center of the rafter.

# SIMPLEGRIP-SQ

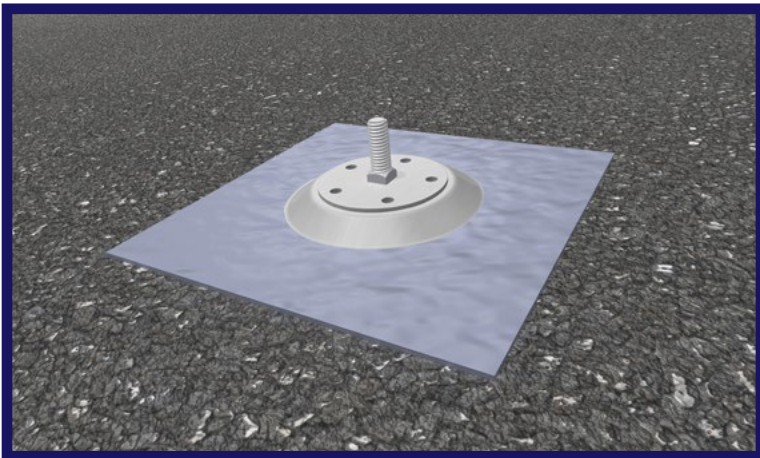
## INSTALLATION GUIDE



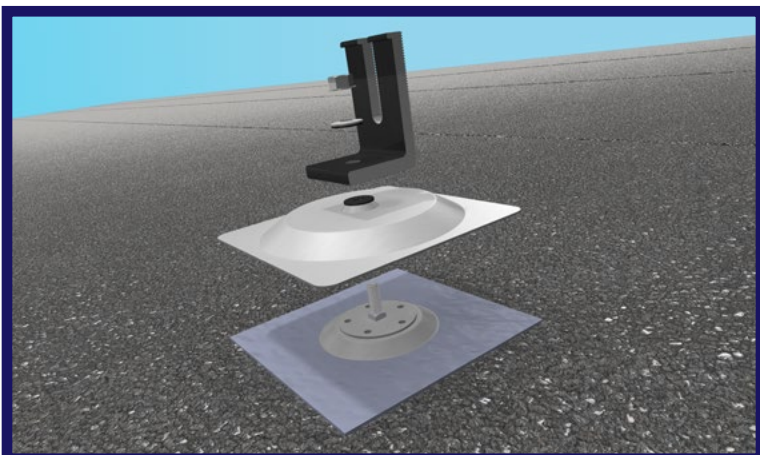
## INSTALLING SIMPLEGRIP-SQ



Install a minimum of 2 fasteners into rafter at opposite sides of the Base Plate. 2 Additional fasteners can be installed in the opposing holes into the roof deck for additional strength.



Peel off and remove one side of the release liner on Adhesive Top sheet and place over the perimeter of the Base Plate. Peel off and remove the top side of release liner from the adhesive Top sheet.



Install the SimpleGrip-SQ Flashing over the threaded stud of the Base Plate. Attach one of EcoFasten's compression brackets to the threaded stud. Install the bonded sealing washer with rubber side facing down, followed by the 5/16" serrated flange nut.

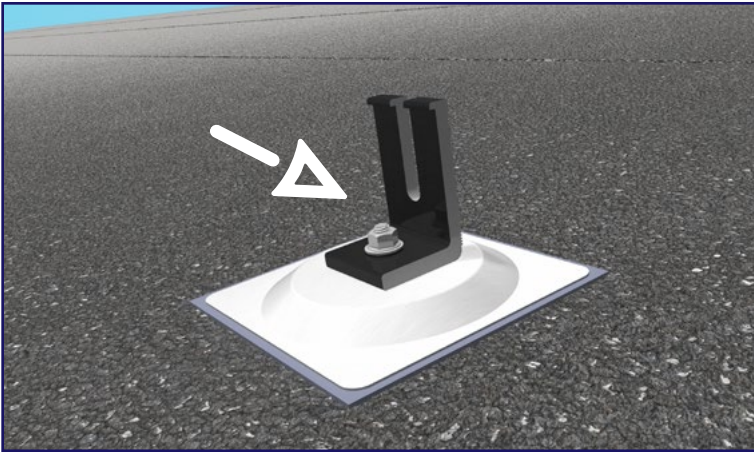
INSTALLATION

# SIMPLEGRIP-SQ

## INSTALLATION GUIDE



## INSTALLING SIMPLEGRIP-SQ



Torque Serated Flange Nut to 100-140 inch pounds.

### \*WORKING WITH ETERNABOND ADHESIVE

- EternaBond adhesive sheets are compatible with a variety of roof types including membrane and rolled roofing (excluding PVC roofs.)
- Surface must be dry and clear of all oil, grease, dust dirt or other debris. Use a dry brush or compressed air to clear the area.
- Ambient air temp should be above 40 degrees F or use EternaPrime Primer down to -20 degrees F.
- To Install peel off and remove one side of the release liner and apply to the roof surface. Rub or roll with pressure using your hand or steel roller to activate bonding process.

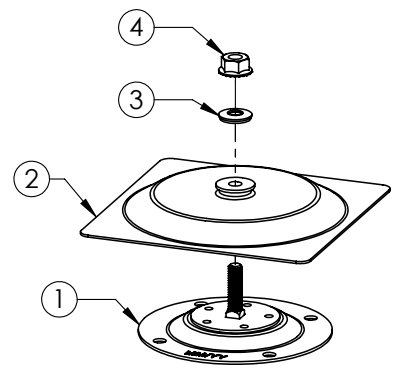
# SIMPLEGRIP-SQ

## INSTALLATION GUIDE



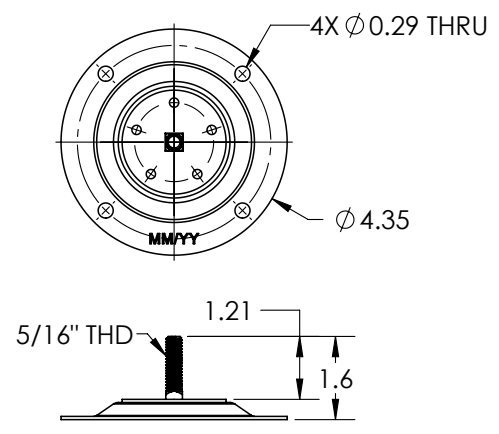
### CUT SHEET: SIMPLEGRIP BASE ASSEMBLY AL

PART NUMBER	DESCRIPTION
3015015	SIMPLEGRIP BASE ASSEMBLY AL



ITEM NO.	DESCRIPTION
1	SIMPLEGRIP-SQ SUB ASSY
2	SIMPLEGRIP-SQ-BUSHING GF EPDM SUB-ASSY
3	WASHER, SEALING, 5/16" EPDM BACKED STAINLESS STEEL
4	SS SERRATED FLG LOCKNUT, 5/16-18

#### 1) SIMPLEGRIP-SQ SUB ASSY



Material	Steel
Finish	Mill

REV.- CS1

LINE DRAWINGS



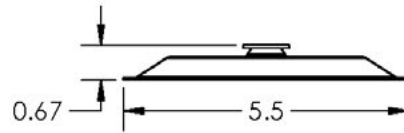
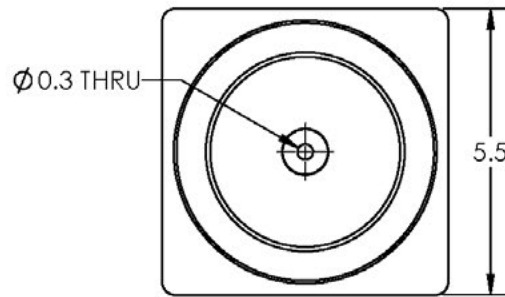
# SIMPLEGRIP-SQ

## INSTALLATION GUIDE



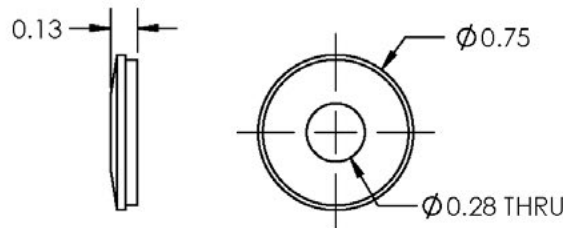
### CUT SHEET: SIMPLEGRIP BASE ASSEMBLY AL

2) SIMPLEGRIP-SQ-BUSHING GF EPDM SUB-ASSY



Material	Aluminum
Finish	Mill

3) WASHER, SEALING, 5/16" EPDM BACKED STAINLESS STEEL



Material	Stainless Steel/EPDM
Finish	Mill

REV.- CS1

LINE DRAWINGS

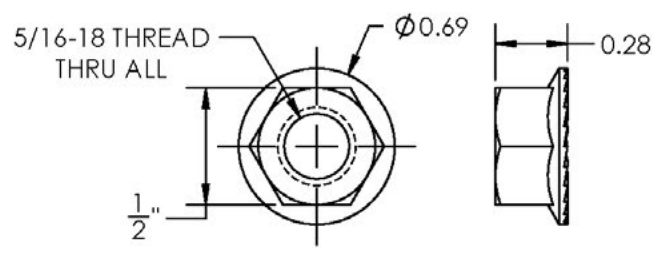
# SIMPLEGRIP-SQ

## INSTALLATION GUIDE



### CUT SHEET: SIMPLEGRIP BASE ASSEMBLY AL

4) SS SERRATED FLG LOCKNUT, 5/16-18



Material	Stainless Steel
Finish	Mill

REV.- CS1

LINE DRAWINGS

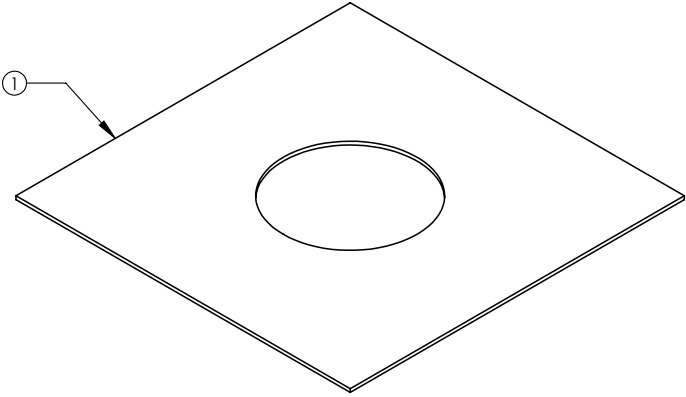
# SIMPLEGRIP-SQ

## INSTALLATION GUIDE

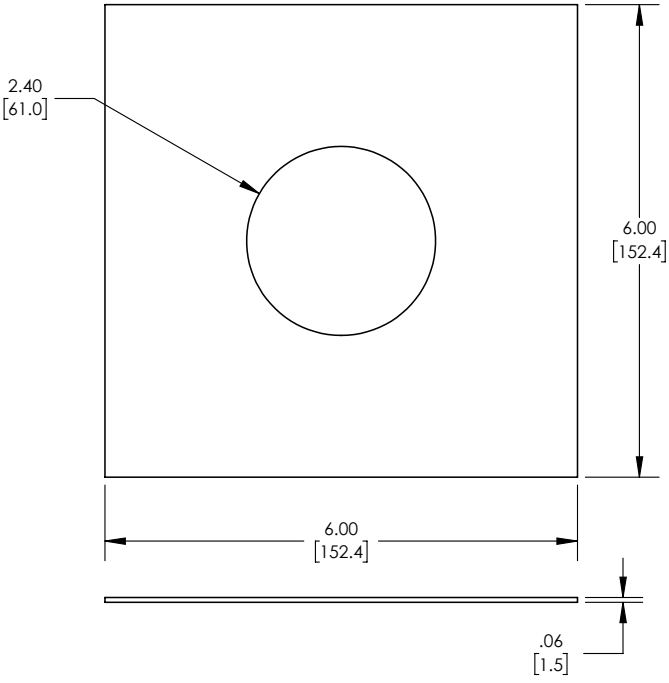


### CUT SHEET: SIMPLEGRIP ADHESIVE TOP/BOTTOM

PART NUMBER	DESCRIPTION
3015019	SIMPLEGRIP ADHESIVE, TOP

ITEM NO.	DESCRIPTION
1	SIMPLEGRIP-SQ ETERNABOND DOUBLESTICK TOP

MATERIAL	DOUBLESTICK PUTTY TAPE
FINISH	GREY

REV: CS-1

LINE DRAWINGS

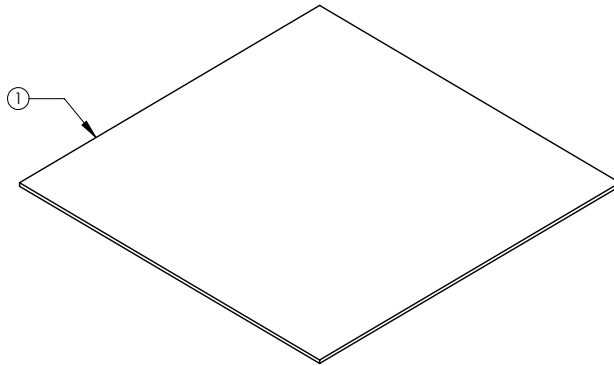
# SIMPLEGRIP-SQ

## INSTALLATION GUIDE

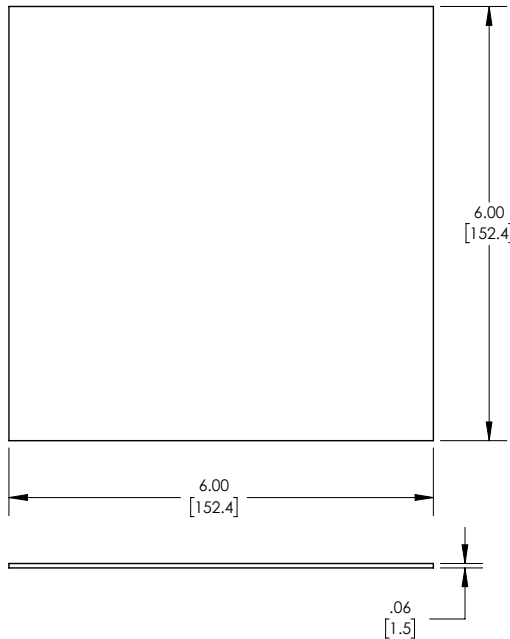


### CUT SHEET: SIMPLEGRIP ADHESIVE TOP/BOTTOM

PART NUMBER	DESCRIPTION
3015018	SIMPLEGRIP ADHESIVE, BOTTOM



ITEM NO.	DESCRIPTION
1	SIMPLEGRIP-SQ ETERNABOND DOBLESTICK BOTTOM



MATERIAL	DOBLESTICK PUTY TAPE
FINISH	GREY

REV: CS-1

LINE DRAWINGS

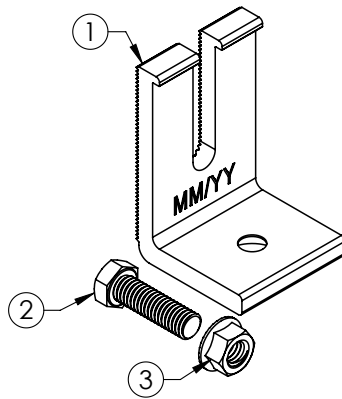
# SIMPLEGRIP-SQ

## INSTALLATION GUIDE



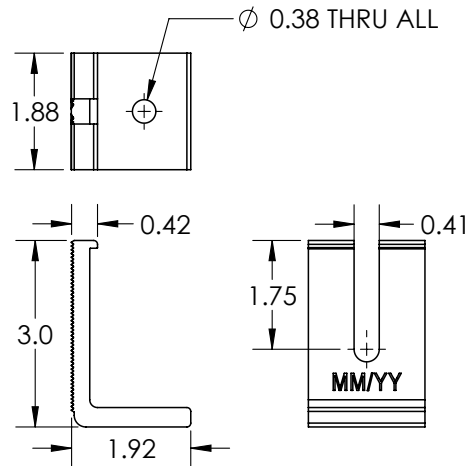
### CUT SHEET: L-FOOT SCL-101 BLK 3"

PART NUMBER	DESCRIPTION
3011018	L-FOOT SCL-101 BLK 3"



ITEM NO.	DESCRIPTION
1	L FOOT W/ STANDARD DIMPLE AND OPEN SLOT, 3 IN TALL BLK
2	SS HEX HD CAP SCREW, FULL THD, 3/8-16 UNC X 1.25 LONG
3	SS SERRATED FLANGE LOCK NUT, 3/8-16

1) L FOOT W/ STANDARD DIMPLE AND OPEN SLOT, 3 IN TALL BLK



Material	Aluminum
Finish	Mill

REV.- CS1

LINE DRAWINGS

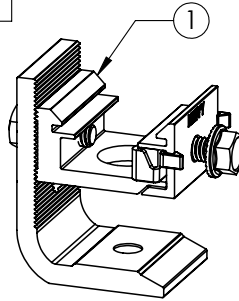
# SIMPLEGRIP-SQ

## INSTALLATION GUIDE



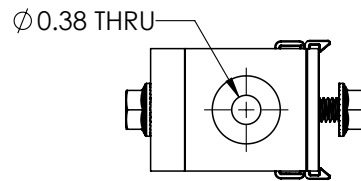
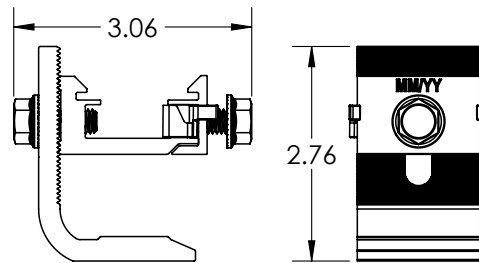
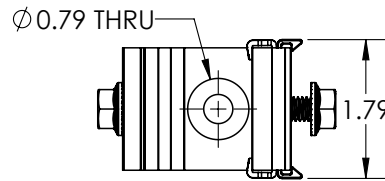
### CUT SHEET: CF UNIV L-FOOT MLL 3"

PART NUMBER	DESCRIPTION
2012022	CF UNIV L-FOOT MLL 3"



ITEM NO.	DESCRIPTION
1	CLICKFIT L FOOT ASSEMBLY

1) CLICKFIT L FOOT ASSEMBLY



Material	Aluminum/Stainless Steel
Finish	Mill

REV.- CS1

LINE DRAWINGS

# SIMPLEGRIP-SQ

## INSTALLATION GUIDE



### SYSTEM COMPONENTS

#### 1. SimpleGrip Base Assembly AL

Consists of (1) Base Plate and (1) integrated stainless steel 5/16" threaded stud. Base Plate is 16 gauge CR Steel and 300 series stainless steel.

Consists of (1) Compression Flashing and (1) pre-assembled integrated EPDM bushing.

#### 2. SimpleGrip-SQ Adhesive Top / Bottom:

Consists of (1) Adhesive Top (1) Adhesive Bottom. Patches are 6" inches square butyl patches with peel off adhesion on both sides.

#### 3. Recommended Fasteners

Self-drilling #15 roofing screws are available from Ecofasten in 2", 3" and 4" lengths. Third party fasteners that have been approved by the engineer of record are permissible.

#### 4. Recommended Sealant:

If required by roof manufacturer, sealant shall be roof manufacturer approved.

### DELIVERY / STORAGE / HANDLING

# SIMPLEGRIP-SQ

## INSTALLATION GUIDE



Inspect material upon delivery. Notify manufacturer within 24 hours of any missing or defective items. Keep material dry, covered and off the ground until installed.

### PATENTS

Visit [www.efpatents.com](http://www.efpatents.com) for patent information.

### DESIGN REQUIREMENTS

1. Bracket spacing to be recommended by project engineer.
2. Install a minimum of two fasteners per base plate.
3. It is important to design new structures or assess existing structures to make sure they withstand retained loads.

### EXAMINATION

1. Substrate: Inspect structure on which brackets are to be installed and verify that it will withstand any additional loading that may be incurred.
2. Notify General Contractor of any deficiencies before installing EcoFasten Solar brackets.
3. Verify that roofing material has been installed correctly prior to installing solar attachment bracket.

### INSTALLATION

Comply with architectural drawings and project engineer's recommendation for location of system. Comply with Manufacturer's written installation instructions for