



SIMPLE BLOCK-U[®]

**PENETRATION-FREE STANDING
SEAM METAL ROOF ATTACHMENT**

INSTALLATION GUIDE

REVISION: 12/18/23

VERSION: V3.0

SIMPLEBLOCK-U

INSTALLATION GUIDE



EcoFasten[®]
For Installers. By Installers.

CLICKING THE PAGE NAME WILL TAKE YOU TO THAT PAGE

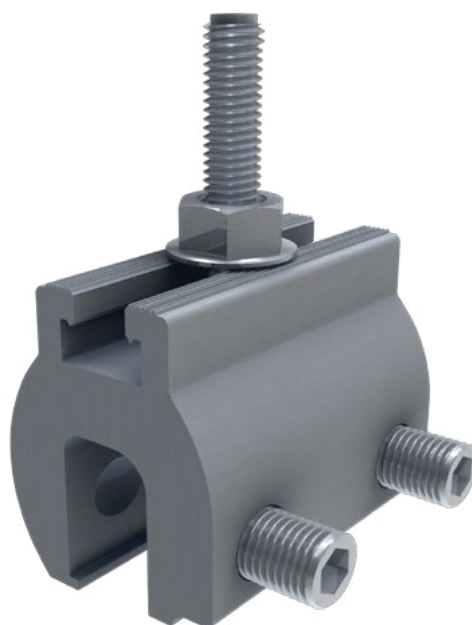
<u>TABLE OF CONTENTS</u>	<u>PAGE 01</u>
<u>FEATURES & BENEFITS</u>	<u>PAGE 02</u>
<u>COMPATIBILITY</u>	<u>PAGE 03</u>
<u>COMPONENTS</u>	<u>PAGE 04</u>
<u>INSTALLATION</u>	<u>PAGE 05</u>
<u>LINE DRAWINGS</u>	<u>PAGE 07</u>
<u>SPECIFICATIONS</u>	<u>PAGE 12</u>

SIMPLEBLOCK-U

INSTALLATION GUIDE



EcoFasten[®]
For Installers. By Installers.



SIMPLEBLOCK-U

SimpleBlock[®]-U has a streamlined design that offers a lightweight yet durable solution for mounting a variety of brackets to a standing seam roof. Two oval-point set screws are pre-installed, saving time on installation and eliminating the need to penetrate the roof.

FEATURES

- Installs on vertical, double-lock standing seam profiles
- No roof penetrations required
- Open T-slot for North-South adjustability
- The technology in this product is licensed by S-5!

FEATURES + BENEFITS

SIMPLEBLOCK-U

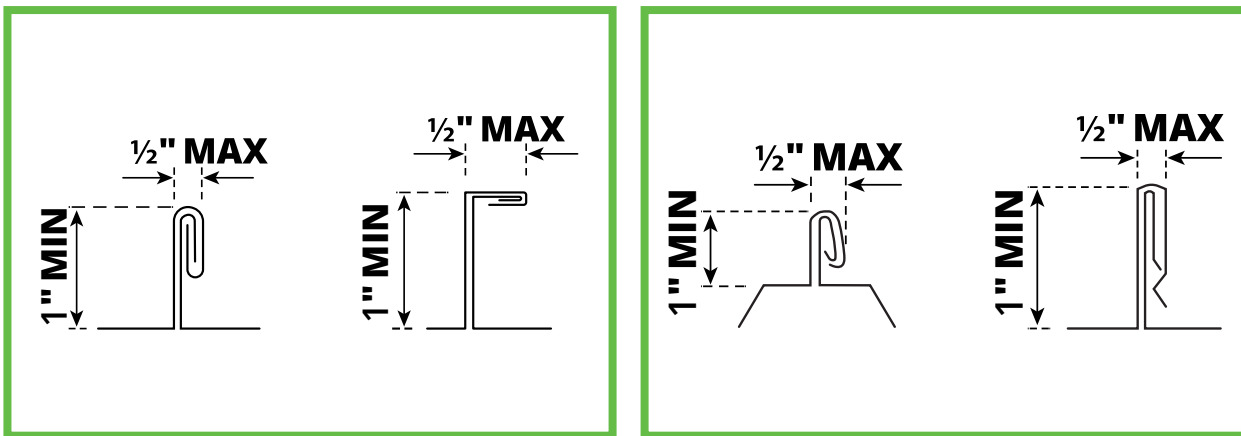
INSTALLATION GUIDE



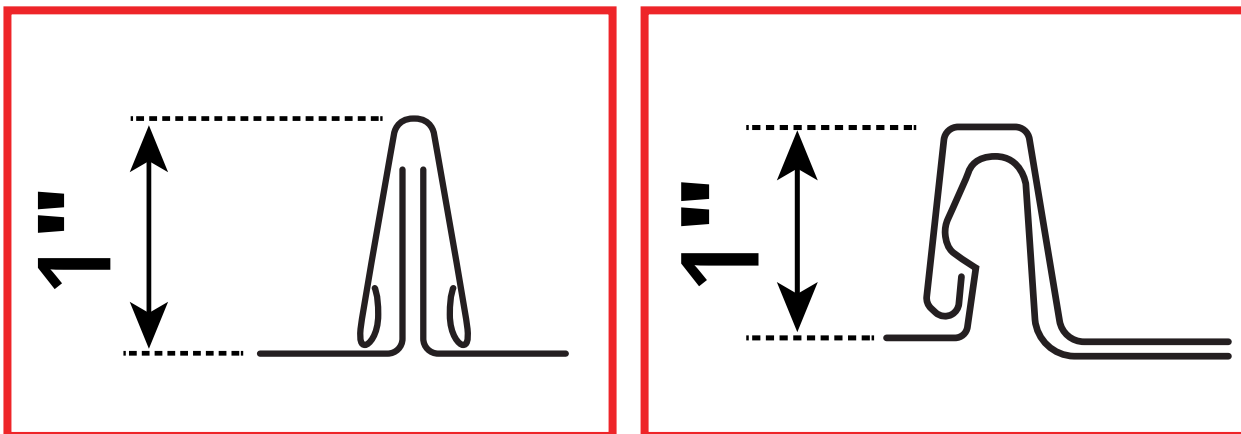
STANDING SEAM PROFILES COMPATIBILITY

SimpleBlock-U is compatible with standing seam roofs (folding and snapping styles) with a vertical seam height of at least 1.0" and a horizontal seam width maximum of 0.5".

ACCEPTABLE PROFILES



UNACCEPTABLE PROFILES



COMPATIBILITY

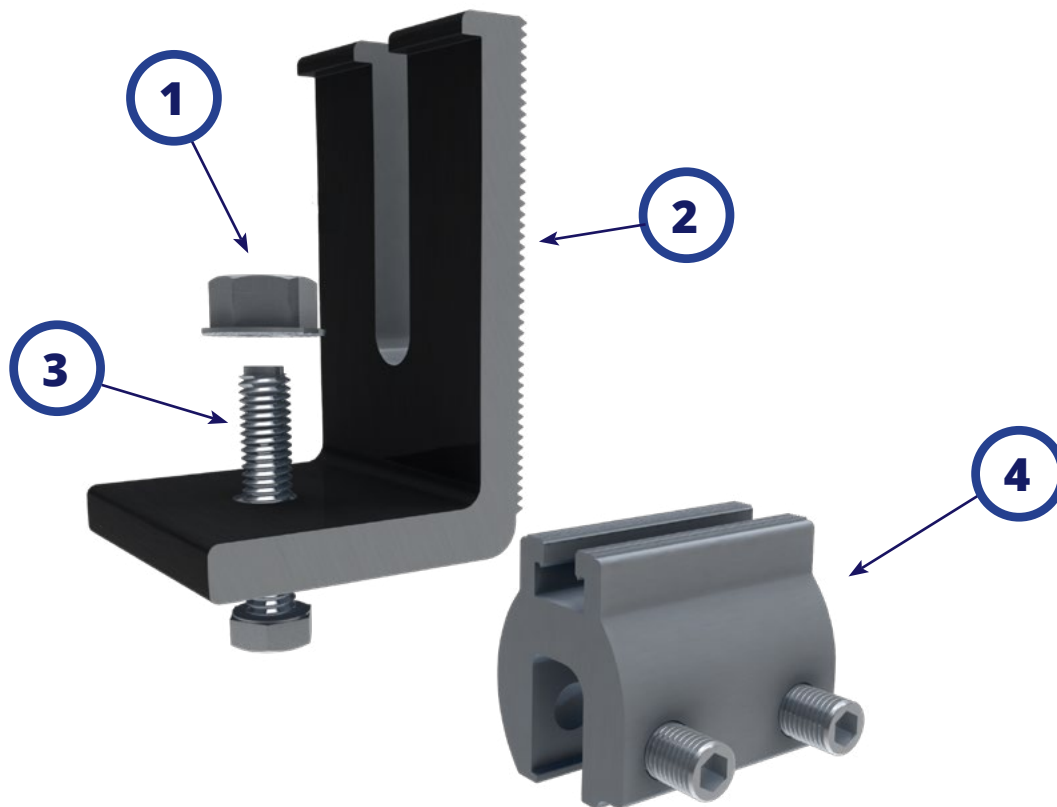
SIMPLEBLOCK-U

INSTALLATION GUIDE



EcoFasten[®]
For Installers. By Installers.

SYSTEM COMPONENTS



1. 5/16" SERRATED FLANGE NUT

**2. SCL-101 BLK 3"
COMPRESSION BRACKET**

3. 5/16-18 1" HEX BOLT

**4. SIMPLEBLOCK-U-AL
ASSEMBLY**

COMPONENTS

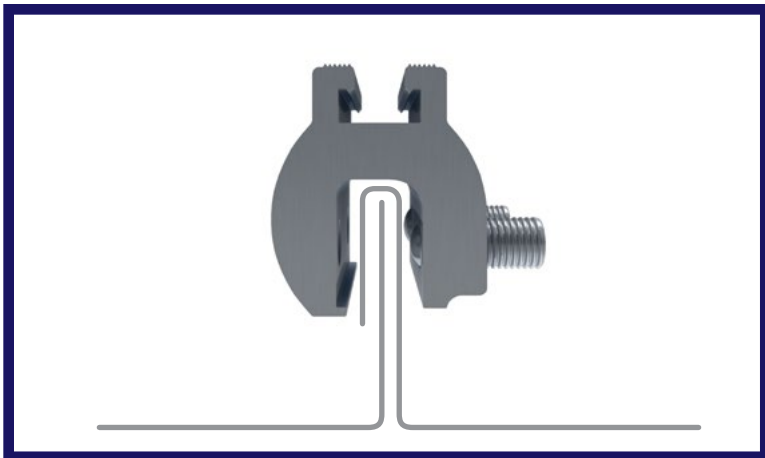
SIMPLEBLOCK-U

INSTALLATION GUIDE

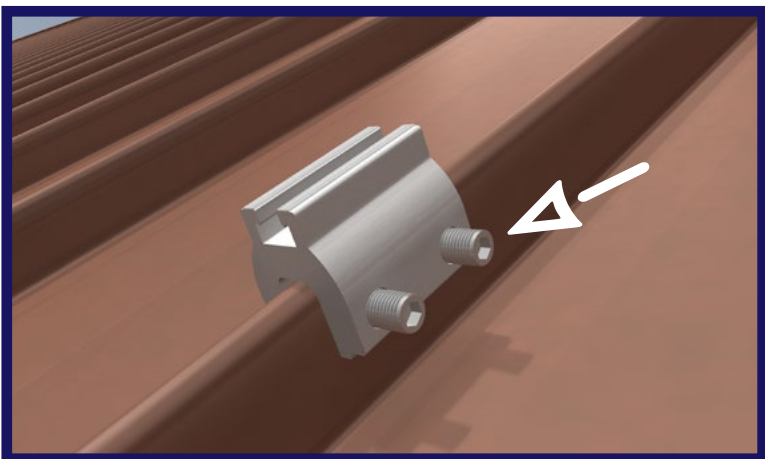


EcoFasten[®]
For Installers. By Installers.

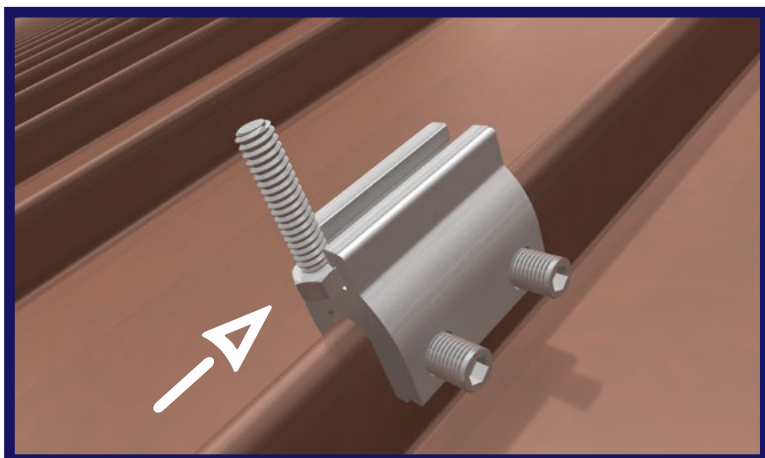
INSTALLING SIMPLEBLOCK-U



Position SimpleBlock assembly on the panel seam. Make sure the block is fully seated on the metal seam.



Torque set screws to 150 in-lbs using included 3/16" hex drive.



Slide hex bolt into the channel on the top of the SimpleBlock-U assembly.

INSTALLATION

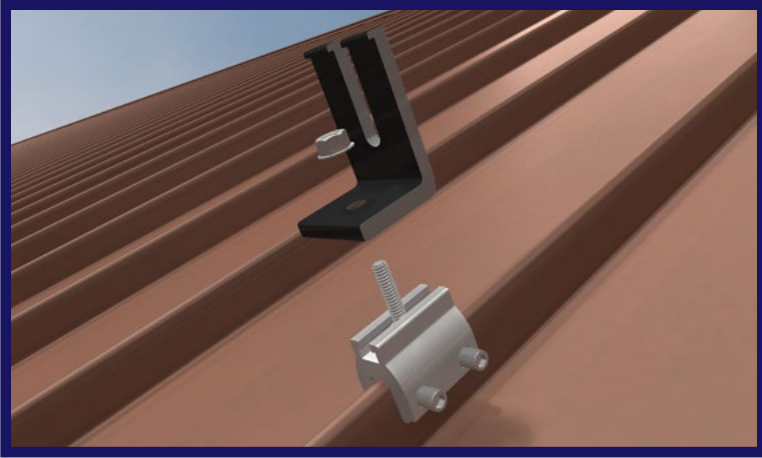
SIMPLEBLOCK-U

INSTALLATION GUIDE

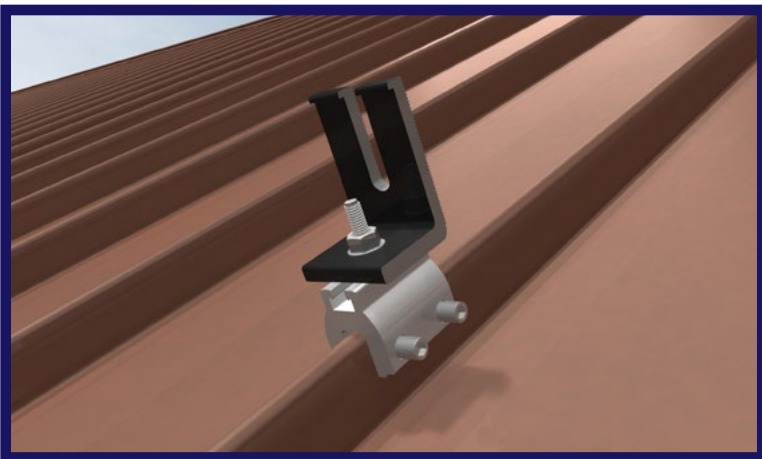


EcoFasten[®]
For Installers. By Installers.

INSTALLING SIMPLEBLOCK-U



Place the bracket onto the installed hex bolt followed by the serrated flange nut.



Torque flange nut to 150 in-lbs.

INSTALLATION

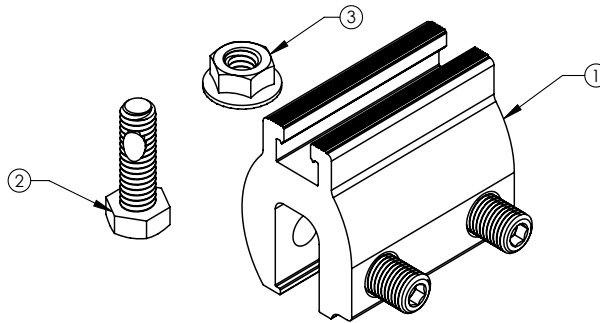
SIMPLEBLOCK-U

INSTALLATION GUIDE



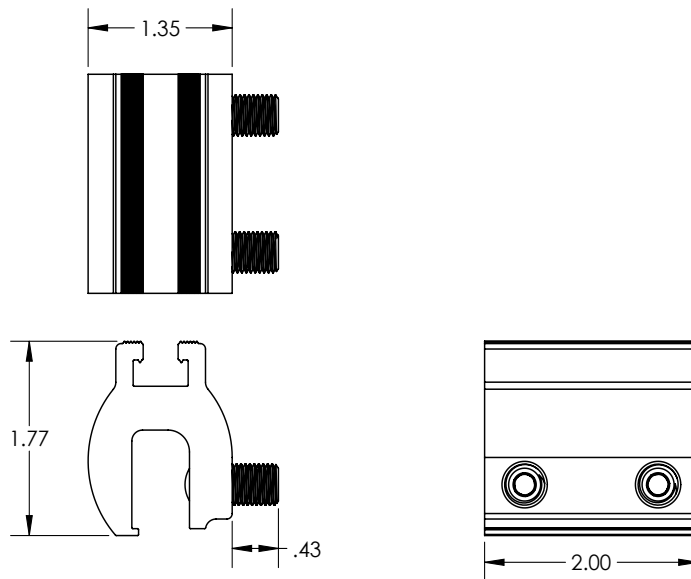
CUT SHEET: SIMPLEBLOCK-U MOUNT AL

PART NUMBER	DESCRIPTION
3014011	SIMPLEBLOCK-U MOUNT AL



ITEM NO.	DESCRIPTION
1	SIMPLEBLOCK-U-AL-SUB-ASSEMBLY
2	BOLT, HEX, 5/16-18 UNC-2A X 1.0, LOCK
3	SS SERRATED FLANGE LOCK NUT, 5/16-18

1) SIMPLEBLOCK-U-AL-SUB-ASSEMBLY



MATERIAL	ALUMINUM
FINISH	MILL

REV: CS-2

LINE DRAWINGS

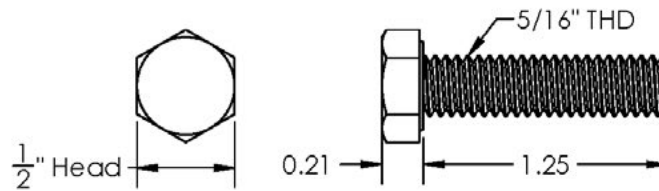
SIMPLEBLOCK-U

INSTALLATION GUIDE



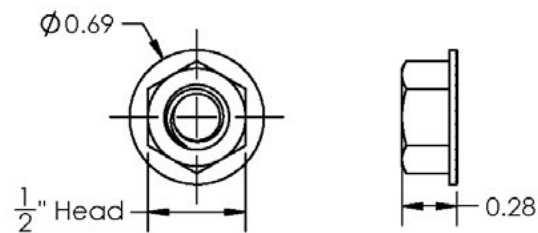
CUT SHEET: SIMPLEBLOCK-U MOUNT AL

2) SS HEX HD CAP SCREW, FULL THD, 5/16-18 UNC X 1.25 LONG



Material	Stainless Steel
Finish	Mill

3) SS SERRATED FLANGE LOCK NUT, 5/16-18



Material	Stainless Steel
Finish	Mill

REV.- CS1

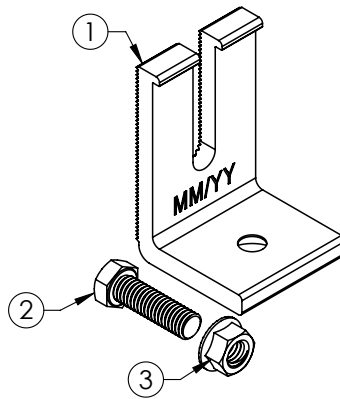
SIMPLEBLOCK-U

INSTALLATION GUIDE



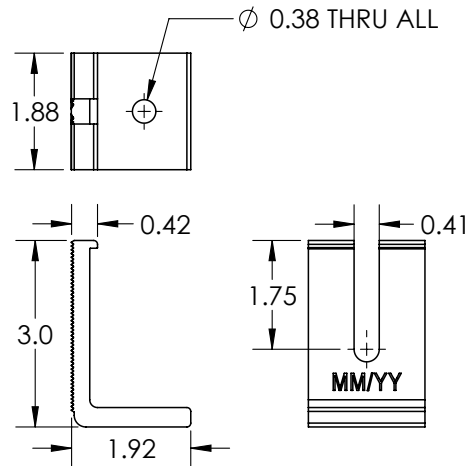
CUT SHEET: L-FOOT SCL-101 BLK 3"

PART NUMBER	DESCRIPTION
3011018	L-FOOT SCL-101 BLK 3"



ITEM NO.	DESCRIPTION
1	L FOOT W/ STANDARD DIMPLE AND OPEN SLOT, 3 IN TALL BLK
2	SS HEX HD CAP SCREW, FULL THD, 3/8-16 UNC X 1.25 LONG
3	SS SERRATED FLANGE LOCK NUT, 3/8-16

1) L FOOT W/ STANDARD DIMPLE AND OPEN SLOT, 3 IN TALL BLK



Material	Aluminum
Finish	Mill

REV.- CS1

LINE DRAWINGS

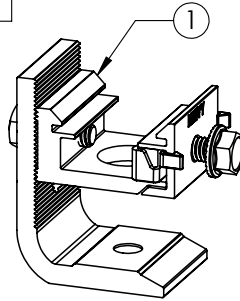
SIMPLEBLOCK-U

INSTALLATION GUIDE



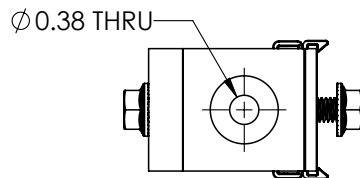
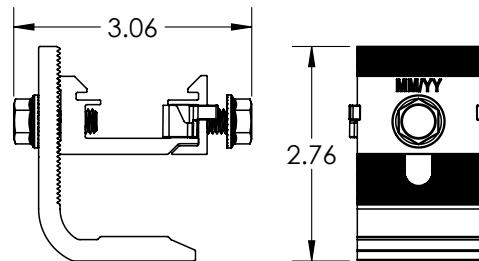
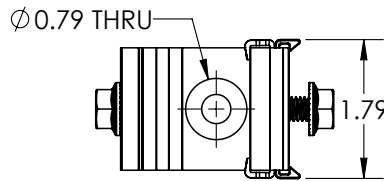
CUT SHEET: CF UNIV L-FOOT MLL 3"

PART NUMBER	DESCRIPTION
2012022	CF UNIV L-FOOT MLL 3"



ITEM NO.	DESCRIPTION
1	CLICKFIT L FOOT ASSEMBLY

1) CLICKFIT L FOOT ASSEMBLY



Material	Aluminum/Stainless Steel
Finish	Mill

REV.- CS1

LINE DRAWINGS

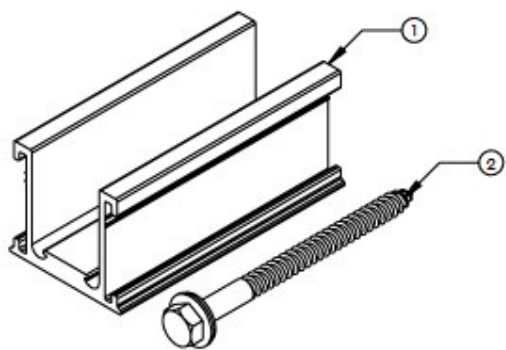
SIMPLEBLOCK-U

INSTALLATION GUIDE



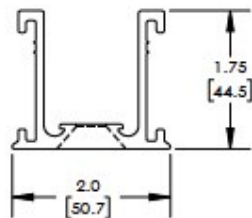
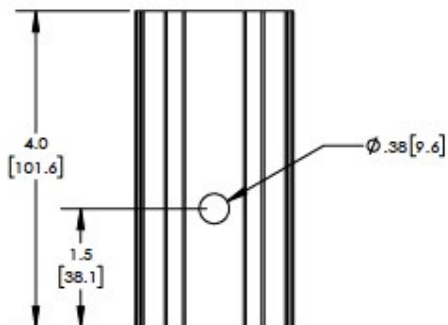
CUT SHEET: RI COMP SLIDE AL BLK

PART NUMBER	DESCRIPTION
2011013	RI COMP SLIDE AL BLK



ITEM NO.	DESCRIPTION
1	ROCKET V3 SLIDECOMP
2	LAG SCREW, 5/16-4", THREAD 3", EPDM BACKED WASHER

1) ROCKET V3 SLIDE COMP



MATERIAL	ALUMINUM
FINISH	BLACK

LINE DRAWINGS

SIMPLEBLOCK-U

INSTALLATION GUIDE



SYSTEM COMPONENTS

1. SimpleBlock-U Mount AL

Consists of (1) aluminum SimpleBlock-U assembly with 2 preinstalled 3/8"-24 oval point set screws, (1) 5/16"-18 x 1.25" hex bolt, and (1) 5/16" stainless steel flange nut.

2. Aluminum Compression Bracket:

Compatible with our 3" aluminum open slot black L-Foot.

DELIVERY / STORAGE / HANDLING

Inspect material upon delivery. Notify manufacturer within 24 hours of any missing or defective items. Keep material dry, covered and off the ground until installed.

PATENTS

Visit www.efpatents.com for patent information.

DESIGN REQUIREMENTS

1. Bracket spacing to be recommended by project engineer.
2. It is important to design new structures or assess existing structures to make sure they withstand retained loads.

EXAMINATION

1. Substrate: Inspect structure on which brackets are to be installed and verify

SIMPLEBLOCK-U

INSTALLATION GUIDE



EcoFasten[®]
For Installers. By Installers.

that it will withstand any additional loading that may be incurred.

2. Notify General Contractor of any deficiencies before installing EcoFasten Solar brackets.
3. Verify that roofing material has been installed correctly prior to installing solar attachment bracket.

INSTALLATION

Comply with architectural drawings and project engineer's recommendation for location of system. Comply with Manufacturer's written installation instructions for installation and layout.

SPECIFICATIONS

PAGE
13