

TR-MOUNT

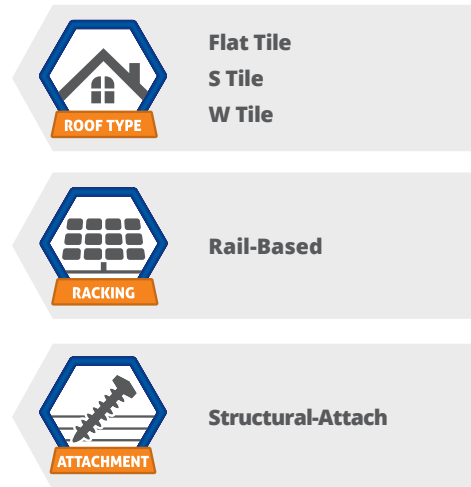
REPLACEMENT TILE & ADJUSTABLE BASE

The TR-Mount is designed for use on new or existing (retrofit) tile roofs and is available in Flat, S, and W-shaped tile profiles. This popular system replaces the tile located directly above the mount, eliminating the need for cutting or grinding tiles. One universally-sized base mount fits Flat, S, and W shaped tile profiles and features built-in deck-level flashing on all four sides. Simply slide the post into its track, and align with the fastener hole on the top flashing for a quick, easy installation.

FEATURES & BENEFITS

- Replaces a complete tile
- Two attachment points for optimum pullout values
- Available in Flat, S, and W-shaped tile profiles
- Universal sized base features built-in flashing on all four sides

**ELIMINATES THE NEED FOR CUTTING,
DRILLING, OR GRINDING TILES**

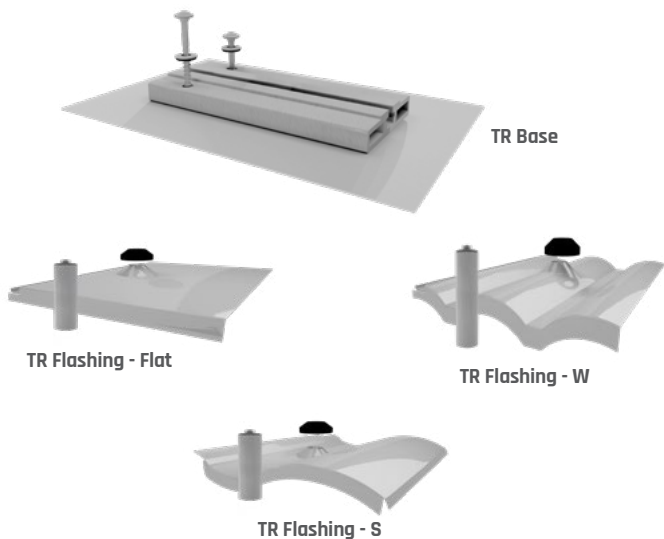


TR-MOUNT[®]

REPLACEMENT TILE
& ADJUSTABLE BASE

CONFIGURATION OPTIONS

1. COMBINE BASE WITH FLASHING:



2. CHOOSE YOUR BRACKET:



[VIEW THE COMPLETE PARTS LIST](#)