

# ESDEC, INC. TEST REPORT

**SCOPE OF WORK**

UL 441 TESTING ON ECOFASTEN'S SIMPLESEAL ROOF ATTACHMENT

**REPORT NUMBER**

105106865LAX-004

**ISSUE DATE**

22-JULY-2022

**PAGES**

7

**DOCUMENT CONTROL NUMBER**

GFT-OP-10a (21-June-2019)

© 2019 INTERTEK



## SUMMARY REPORT

22-JULY-2022

Intertek Report No.: 105106865LAX-004

Intertek Project No.: G105106865

Yann Schwarz  
ESDEC, Inc.  
28357 Industrial Blvd.  
Hayward, CA 94545  
Email: yann.schwarz@esdec.com

Ph: 510 225-0973

**Subject:** Project Summary of the Rain Testing per UL 441 on Ecofasten's SimpleSeal Roof Attachment



Dear Mr. Yann Schwarz

Intertek was contracted by ESDEC, Inc. to perform testing in general accordance with UL 441 on Ecofasten's SimpleSeal Roof Attachment. Results obtained are tested values and were secured by using the designated test method(s). Testing was conducted at ESDEC's test facility at 28357 Industrial BLVD, Hayward, CA 94545.

This letter report represents the summary of our evaluation of the above referenced product(s).

*UL 441, Safety for Gas Vents, Section 27: Rain Test*

This letter report does not constitute certification of this product or any opinion or endorsement by this laboratory. If there are any questions regarding the results contained in this report, or any of the other services offered by Intertek, please do not hesitate to contact your dedicated Intertek Project Manager.

Completed by:	Deep Vora	Reviewed by:	Kamerine Kroner
Title:	Senior Project Engineer	Title:	Reviewer
Signature:		Signature	
Date	July 22, 2022	Date:	July 29, 2022

Please note: this Letter Report does not represent authorization for the use of any Intertek certification marks.

This report is for the exclusive use of Intertek's Client and is provided pursuant to the agreement between Intertek and its Client. Intertek's responsibility and liability are limited to the terms and conditions of the agreement. Intertek assumes no liability to any party, other than to the Client in accordance with the agreement, for any loss, expense or damage occasioned by the use of this report. Only the Client is authorized to permit copying or distribution of this report and then only in its entirety. Any use of the Intertek name or one of its marks for the sale or advertisement of the tested material, product or service must first be approved in writing by Intertek. The observations and test results in this report are relevant only to the sample tested. This report by itself does not imply that the material, product, or service is or has ever been under an Intertek certification program.

**SUMMARY REPORT**

**SECTION 1**

**MATERIAL SOURCE/INSTALLATION**

The specimen was installed onto a Spruce-Pine-Fir wood deck. The test deck measured 3' wide by 3' high and was constructed of #2 Spruce Pine Fir nominal 2x4 lumber. One rafter was centered on the deck for bolt attachment. The rafters were attached to the top and bottom plates with 3" long roofing screws. A 3' wide by 3' high sheet of 26ga PBR roof paneling was attached to the deck with #10-14 x 1" tapping screws with an EPDM bonded washer. The PBR panel was positioned such that its flat surface was centered flush with the rafter.

**Description/Installation (SimpleSeal Roof Attachment by Ecofasten):** The test specimen was composed of an EPDM bushing installed into an approx. 3"x2"x2" aluminum L-foot. A 5/16" x 4" lag screw with EPDM backed washer was used to secure the specimen to the center rafter through the metal panel. No sealant was used in the test.

Ecofasten SimpleSeal Part numbers covered by this test report are as follows:

Part Number	Description
3011017	L-Foot SCL-101 MLL 3"
3016015	SimpleSeal EPDM Bushing
3016017	Lag Screw SS .313x4" W/BW

**SECTION 3**

**LIST OF OFFICIAL OBSERVERS**

NAME	COMPANY
Jae Hendrickson	ESDEC, Inc.

**SECTION 4**

**TEST RESULTS**

The temperature during testing was 24°C (75°F) and the humidity was 42%. The results are tabulated as follows:

**Test Specimen #1 (Ecofasten SimpleSeal Roof Attachment):**

TITLE OF TEST	RESULTS	ALLOWED	NOTE
Water Penetration, Per UL 441 - One hour of water spray	Pass	No leakage	1, 2

**General Note:** All testing was performed in accordance with the referenced standard(s).

*Note 1: Tested at 2:12 pitch*

*Note 2: Test results are applicable for roofs having a slope of 2:12 or greater*

**SUMMARY REPORT**

**SECTION 5**  
**PHOTOGRAPHS**



**Photo No. 1**  
**Unassembled Test Specimen**



**Photo No. 2**  
**Test Specimen Under Test**

**SUMMARY REPORT**



**Photo No. 3**  
**Test Specimen After Test**



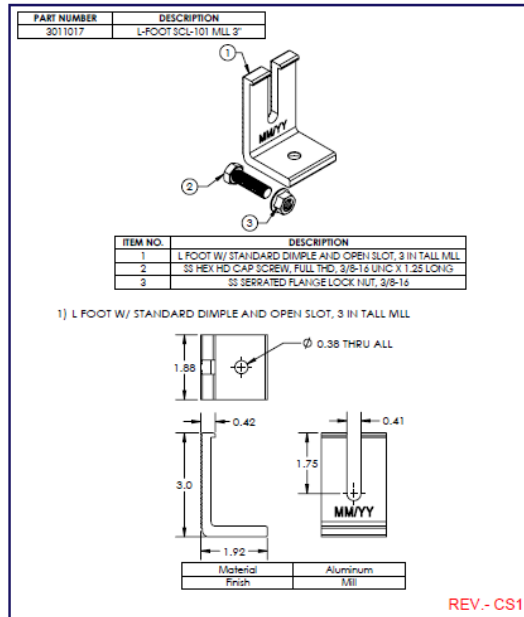
**Photo No. 4**  
**Underside of Test Desk After Test – no visible water penetration**

## SUMMARY REPORT

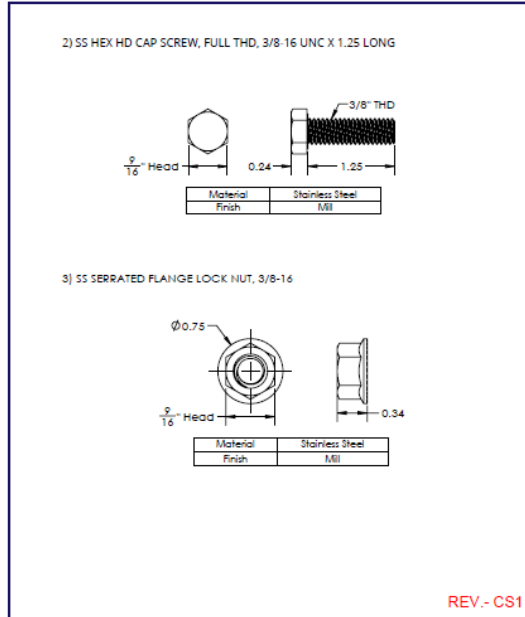
### SECTION 6 DRAWINGS

The test specimen drawings have been reviewed by Intertek and are representative of the test specimen(s) reported herein. Any deviations are documented herein or on the drawings.

#### L-FOOT SCL-101 MLL 3"

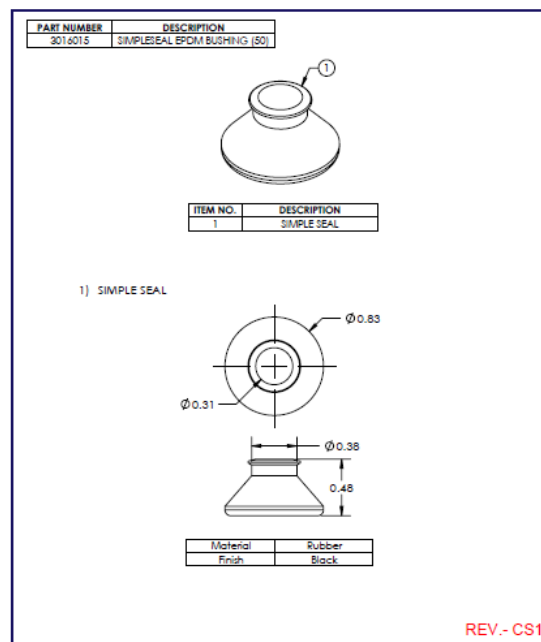


#### L-FOOT SCL-101 MLL 3"



**Drawing No. 1**  
**Ecofasten SimpleSeal L-Foot**

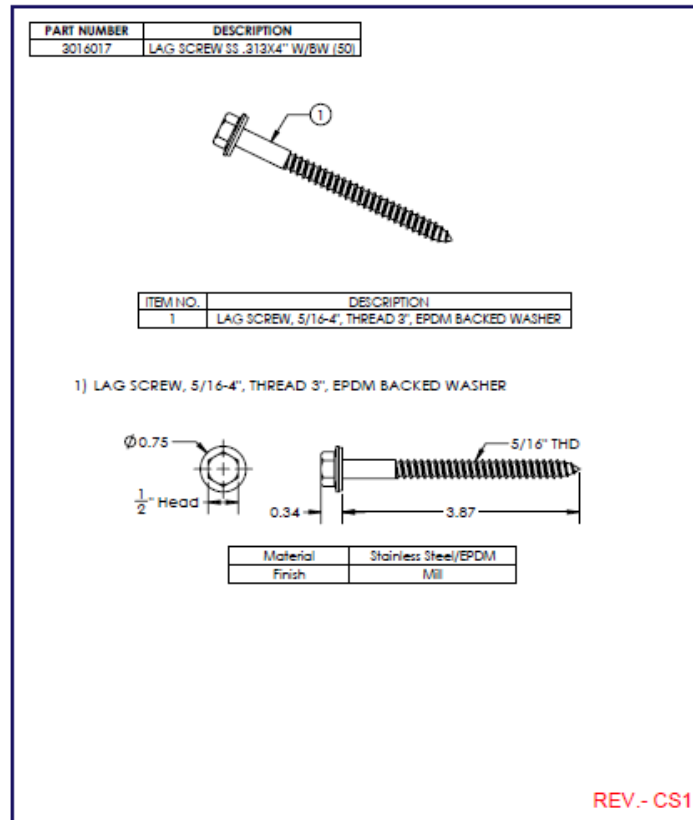
#### SIMPLESEAL EPDM BUSHING (50)



**Drawing No. 2**  
**Ecofasten SimpleSeal EPDM Bushing**

**SUMMARY REPORT**

**LAG SCREW SS .313X4" W/BW (50)**



**Drawing No. 3**  
**Ecofasten SimpleSeal Lag Screw**