

# ESDEC INC.

# LETTER REPORT

**SCOPE OF WORK**

UL 441 TESTING ON ECOFASTEN'S SMART CONDUIT MOUNT

**REPORT NUMBER**

105417482LAX-001a

**ISSUE DATE**

09-May-2023

**PAGES**

8

**DOCUMENT CONTROL NUMBER**

GFT-OP-10a (21-June-2019)

© 2019 INTERTEK



## LETTER REPORT

May 9<sup>th</sup>, 2023

Intertek Report No. 105417482LAX-001a

Intertek Project No. G105417482

Jae Hendrickson  
ESDEC Inc.  
976 Brady Ave. NW, Ste 100  
Atlanta, GA 30318-5698  
[j.hendrickson@us.esdecgroup.com](mailto:j.hendrickson@us.esdecgroup.com)

Ph: (510) 889-7655

**Subject:** Project Summary of the Rain Testing per UL 441 on Ecofasten's Smart Conduit Mount.

Dear Jae Hendrickson,

Intertek was contracted by ESDEC, Inc. to perform testing in general accordance with UL 441 on Ecofasten's Smart Conduit Mount. Results obtained are tested values and were secured by using the designated test method(s). Testing was conducted at ESDEC's test facility at 28357 Industrial BLVD, Hayward, CA 94545.

This letter report represents the summary of our evaluation of the above referenced product(s).

*Gas Vents - Section 27: Rain Test [UL 441:2016 Ed.11 (27)+R:28Aug2019]*

This letter report does not constitute certification of this product or any opinion or endorsement by this laboratory. If there are any questions regarding the results contained in this report, or any of the other services offered by Intertek, please do not hesitate to contact your dedicated Intertek Project Manager.

---

This report is for the exclusive use of Intertek's Client and is provided pursuant to the agreement between Intertek and its Client. Intertek's responsibility and liability are limited to the terms and conditions of the agreement. Intertek assumes no liability to any party, other than to the Client in accordance with the agreement, for any loss, expense or damage occasioned by the use of this report. Only the Client is authorized to permit copying or distribution of this report and then only in its entirety. Any use of the Intertek name or one of its marks for the sale or advertisement of the tested material, product or service must first be approved in writing by Intertek. The observations and test results in this report are relevant only to the sample tested. This report by itself does not imply that the material, product, or service is or has ever been under an Intertek certification program.

**LETTER REPORT**

**SUMMARY REPORT**

**SECTION 1**

**MATERIAL SOURCE/INSTALLATION**

Test specimen(s) were provided by the client.

The specimen was installed onto a Spruce-Pine-Fir wood deck. The test deck measured 3' wide by 3' high and was constructed of #2 Spruce Pine Fir nominal 2x4 lumber. A sheet of nominal 7/16" thick oriented strand board (OSB) was secured to the studs with #8 x 1-5/8" roofing screws. The test deck was then covered with #15 felt paper and dimensional shingles. No center rafter was installed.

Description/Installation (Smart Conduit Mount by Ecofasten): The test specimen was composed of an approx. 3.5" x 1.5" x 1" die cast aluminum Conduit Mount with the UltraGrip™ Flashing System using either a grey or black sealant. The mount was secured to the deck with (Qty 1) #14 x 3" stainless steel structural wood screws with EPDM backed stainless steel washers. No pilot holes were drilled.

**SECTION 2**

**LIST OF OFFICIAL OBSERVERS**

NAME	COMPANY
Jae Hendrickson	ESDEC, Inc.

**SECTION 3**

**TEST RESULTS**

The temperature during testing was 20°C (68°F) and the humidity was 52%. The results are tabulated as follows:

**Test Specimen #1 (Ecofasten Smart Conduit Mount with Sealant #1 (black)):**

TITLE OF TEST	RESULTS	ALLOWED	Note
UL 441, Clause 27, Rain Test	Pass	No Leakage	1 - 4

**Test Specimen #2 (Ecofasten Smart Conduit Mount with Sealant #2 (gray)):**

TITLE OF TEST	RESULTS	ALLOWED	Note
UL 441, Clause 27, Rain Test	Pass	No Leakage	1 - 4

*General Note: All testing was performed in accordance with the referenced standard(s).*

*Note 1: Tested at a 2:12 roof pitch.*

*Note 2: Test results are applicable for three tab and dimensional asphalt shingle roofs having a slope 2:12 or greater.*

*Note 3: Test results are applicable for both rafter and deck mounting configurations.*

*Note 4: Test results are applicable for installing at butt joints, steps, or keyways.*

**LETTER REPORT**

**SECTION 4**  
**PHOTOGRAPHS**



**Photo No. 1**  
**Unassembled Test Specimen**



**Photo No. 2**  
**Test Specimen Under Test**

**LETTER REPORT**



**Photo No. 3**  
**Test Specimen After Test**



**Photo No. 4**  
**Underside of Test Desk After Test – no visible water penetration**

## LETTER REPORT

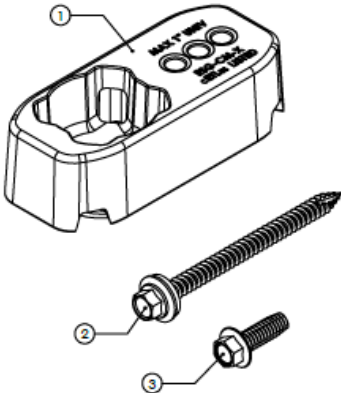
### SECTION 5 DRAWINGS

The test specimen drawings have been reviewed by Intertek and are representative of the test specimen(s) reported herein. Any deviations are documented herein or on the drawings.

## PRODUCT CUT SHEET EcoFasten<sup>®</sup> For Installers. By Installers.

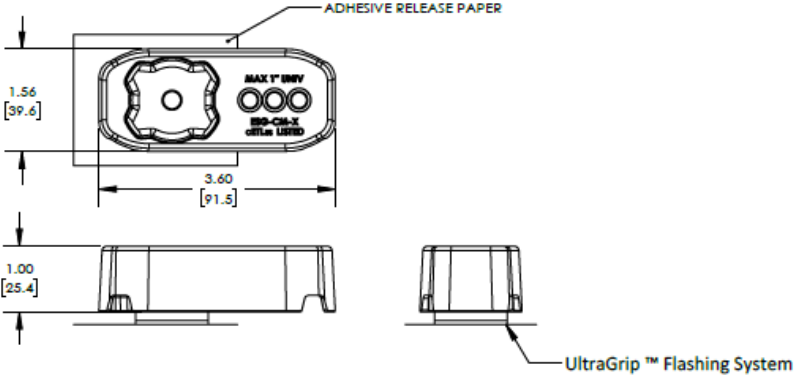
# SMART CONDUIT MOUNT W/HW

PART NUMBER	DESCRIPTION
4011017	SMART CONDUIT MOUNT W/HW



ITEM NO.	DESCRIPTION
1	SMART CONDUIT MOUNT
2	SELF DRILLING SCREW, #14, WOOD TIP, WITH WASHER, EPDM BACKED
3	THREAD ROLLING SCREW, HEX FLANGE HEAD, #1/4 X 3/4

1) SMART CONDUIT MOUNT



MATERIAL	ALUMINUM
FINISH	MILL

SHEET 1 OF 2
REV: CS-1

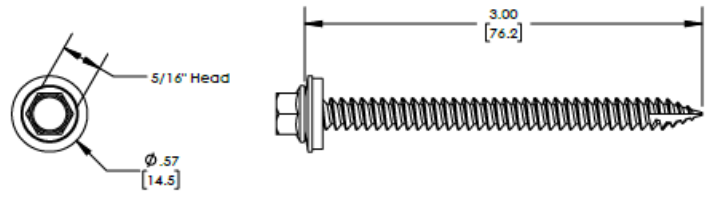
**Drawing No. 1**  
**Ecofasten Smart Conduit Mount with Hardware**

**LETTER REPORT**

**PRODUCT CUT SHEET** 

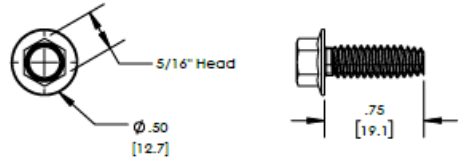
**SMART CONDUIT MOUNT W/HW**

2) SELF DRILLING SCREW, #14, WOOD TIP, WITH WASHER, EPDM BACKED



MATERIAL	STAINLESS STEEL, POLYMERIC
FINISH	MILL

3) THREAD ROLLING SCREW, HEX FLANGE HEAD, #1/4 X 3/4



MATERIAL	STAINLESS STEEL
FINISH	MILL

SHEET 2 OF 2 REV: CS-1



**Drawing No. 2**  
**Ecofasten Smart Conduit Mount with Hardware**

**LETTER REPORT**

**SECTION 6**  
**PROJECT STATUS**

Issuance of this letter report is to provide an update on the evaluation covered by Intertek Project No. G105417482.

If there are any questions regarding the results contained in this report, or any of the other services offered by Intertek, please do not hesitate to contact your dedicated Intertek Project Manager.

Completed by:	Abdullah Alharbi	Reviewed by:	Kamerine Kroner
Title:	PV Engineer	Title:	Reviewer
Signature:		Signature	
Date	05/09/2023	Date:	05/15/2023

Please note: this Letter Report does not represent authorization for the use of any Intertek certification marks.