

# SMART CONDUIT

## ADAPTABLE CONDUIT MOUNT WITH INTEGRATED FLASHING

Smart Conduit Mount is our latest and most convenient solution to elevate electrical conduit up and off the surface of the roof. It can be quickly installed on composition shingle roofs and can be oriented both N-S or E-W, giving the installer maximum flexibility. Smart Conduit Mount features our exclusive UltraGrip Technology™, an integrated flashing system that uses flexible foam and sealant to flash the roof, while a layer of cushioning foam embeds deep into the shingle granules. Compatible with all conduit clamps (not included).

### FEATURES & BENEFITS

- Eliminates the need to pry up shingle courses and install a metal flashing
- Rafter or direct-to-deck mounting options
- No need to drill pilot holes
- Rotates 360 degrees for conduit runs in any direction
- Three adjustment slots perfect conduit positioning
- Drainage holes for water shedding
- Works with most common conduit types including EMT, RMC, IMC, Rigid PVC, and Liquid Tight Flexible Metallic Conduit
- Conforms to UL 2239 and UL 2703A



Composition Shingle

ROOF TYPE



Rail-Based  
Rail-Less

RACKING



Structural-Attach  
Direct-Attach

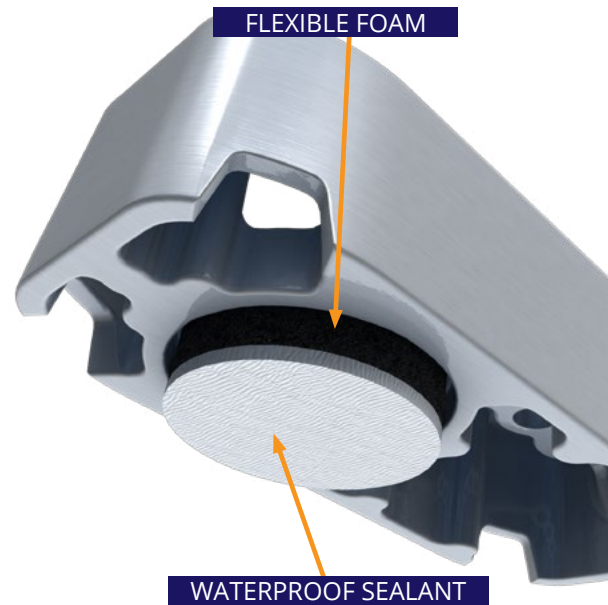
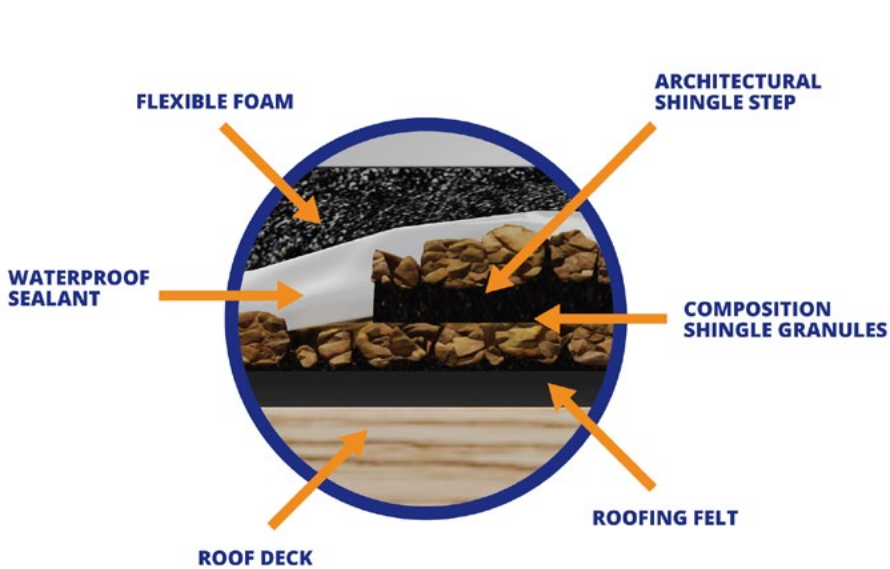
ATTACHMENT



**FAST INSTALLING AND WATERTIGHT**

# SMART CONDUIT

ADAPTABLE CONDUIT MOUNT WITH INTEGRATED FLASHING



[VIEW THE COMPLETE PARTS LIST](#)