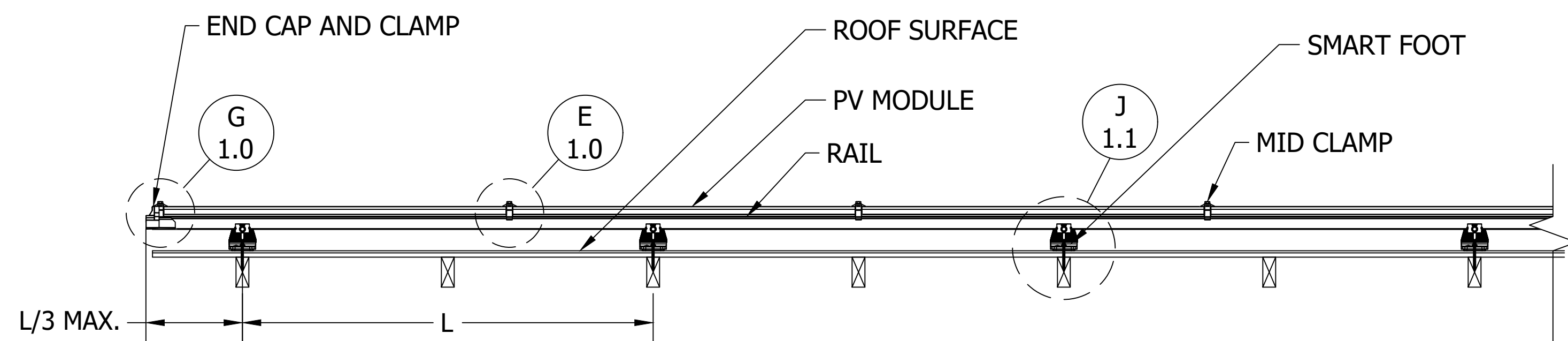
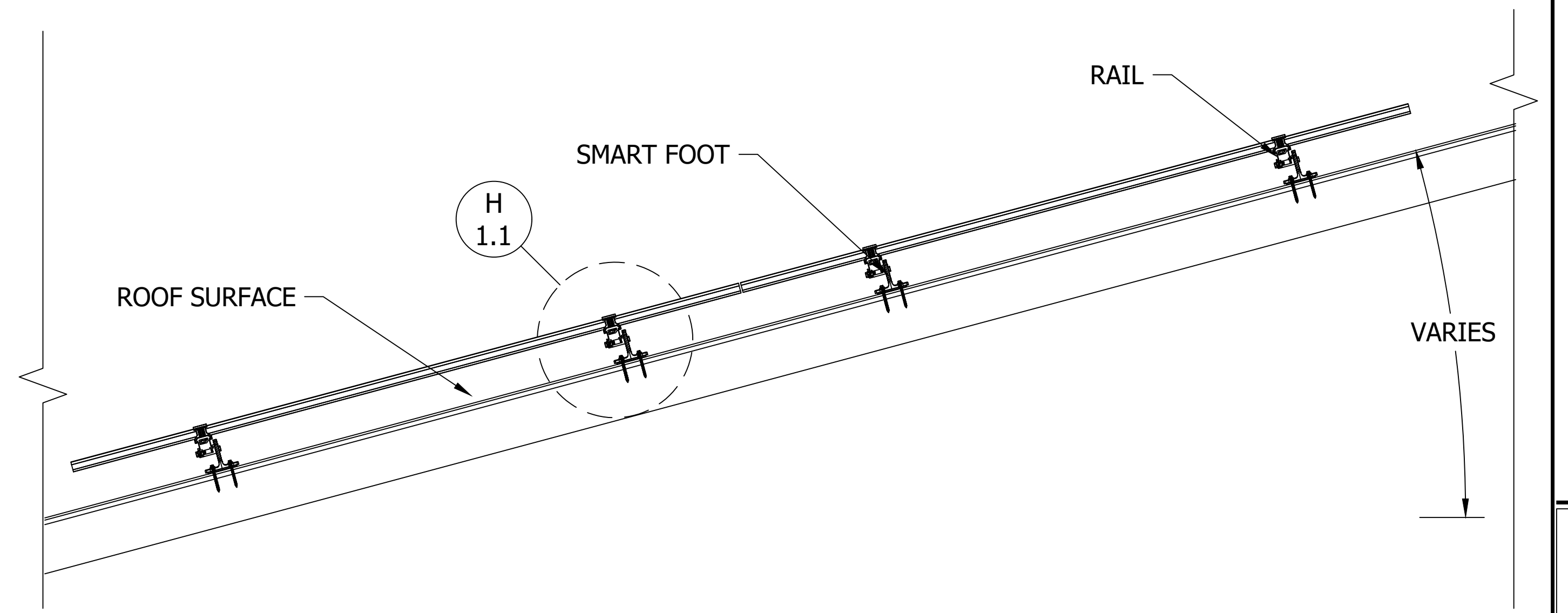


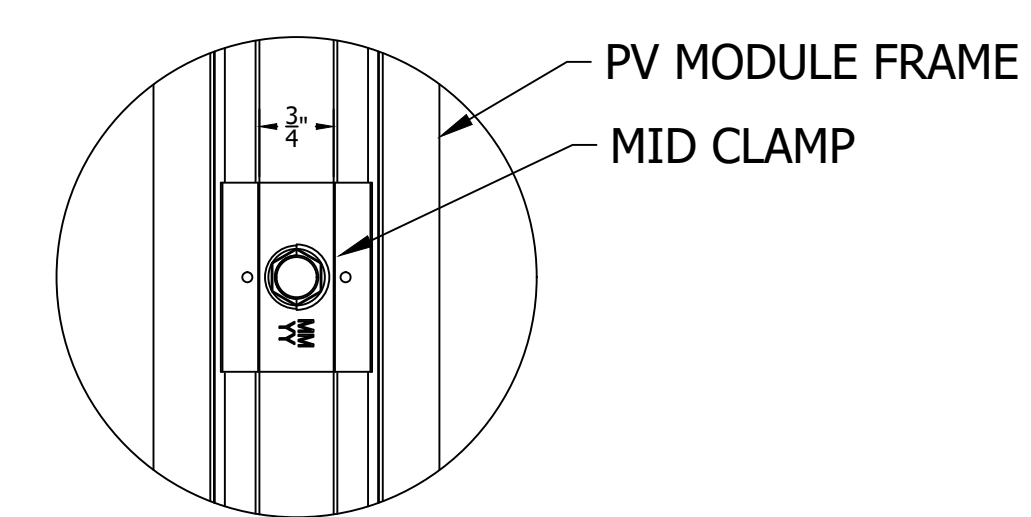
**A** PLAN VIEW, COMP ASSEMBLY, PORTRAIT MODULE  
Scale: 1"=1'-0"



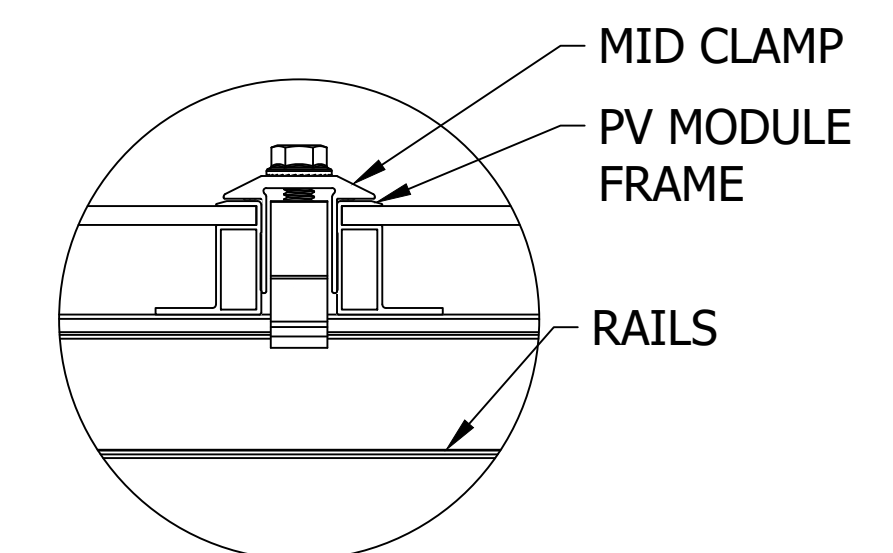
**C** FRONT VIEW, COMP ASSEMBLY, PORTRAIT MODULE  
Scale: 1"=1'-0"



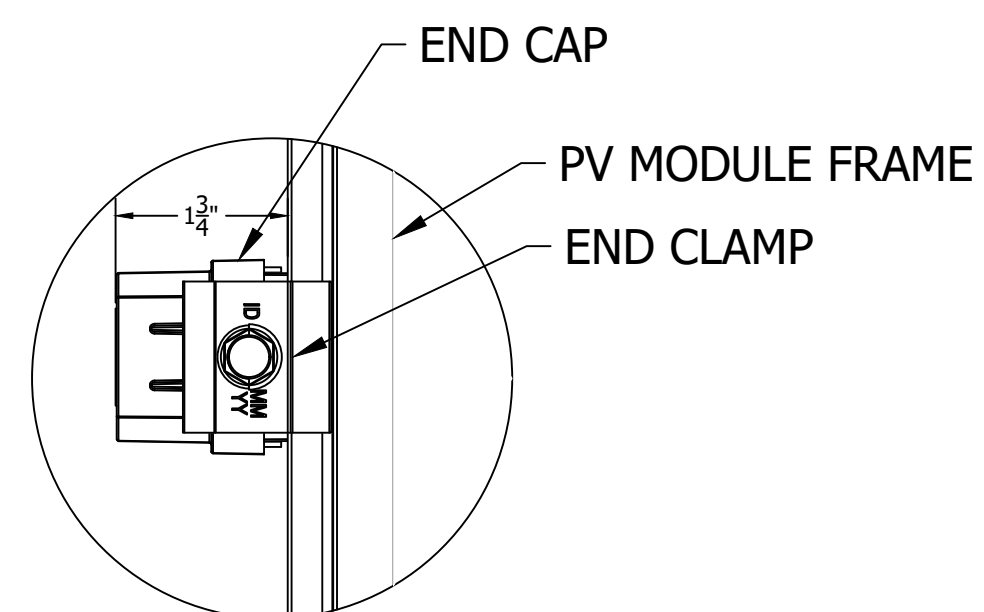
**B** SIDE VIEW, COMP ASSEMBLY, PORTRAIT MODULE  
Scale: 1"=1'-0"



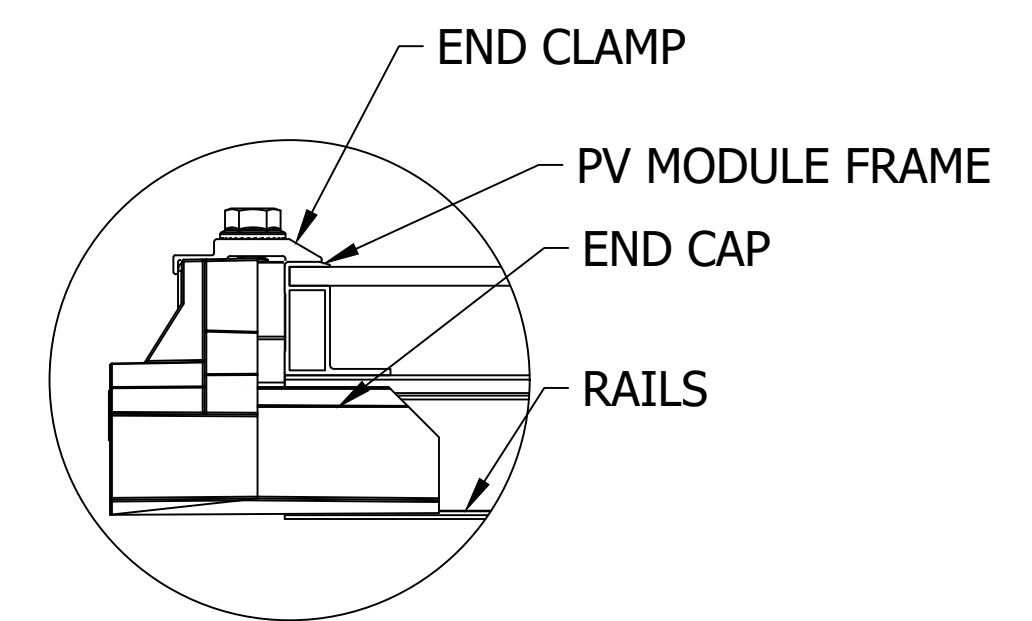
**D** DETAIL, MID CLAMP PLAN  
Scale: 6"=1'-0"



**E** DETAIL, MID CLAMP FRONT  
Scale: 6"=1'-0"



**F** DETAIL, END CAP AND CLAMP PLAN  
Scale: 6"=1'-0"



**G** DETAIL, END CAP AND CLAMP FRONT  
Scale: 6"=1'-0"

CLIENT NAME	ECOFASTEN
PROJECT NAME	SLOPED ROOF MOUNT SYSTEM
PROJECT ADDRESS	
SYSTEM KW/DC	

WIND SPEED, MPH	
SNOW LOAD, PSF	
EXPOSURE CAT	
RISK CAT	
MODULE TYPE	
MODULE W/DC	
MODULE QTY	

APPROVAL STATUS

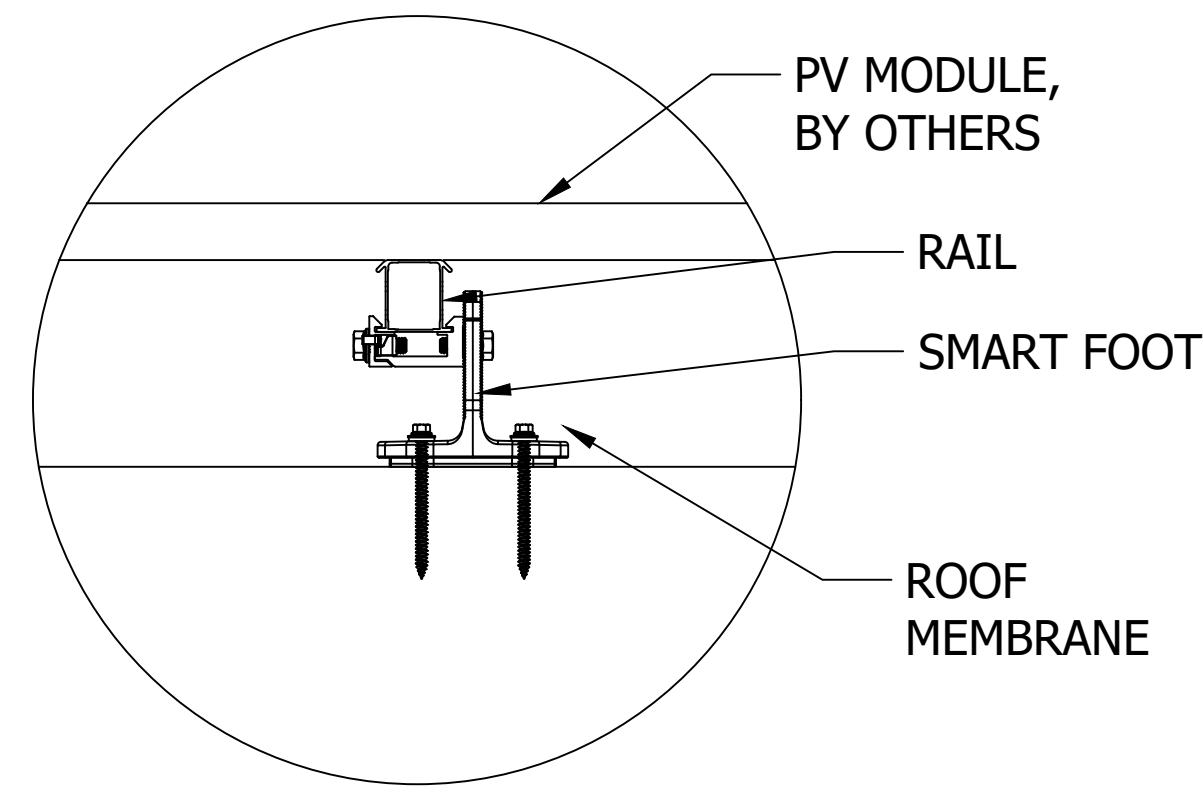
**NOT FOR CONSTRUCTION**

REV	DESCRIPTION	DATE

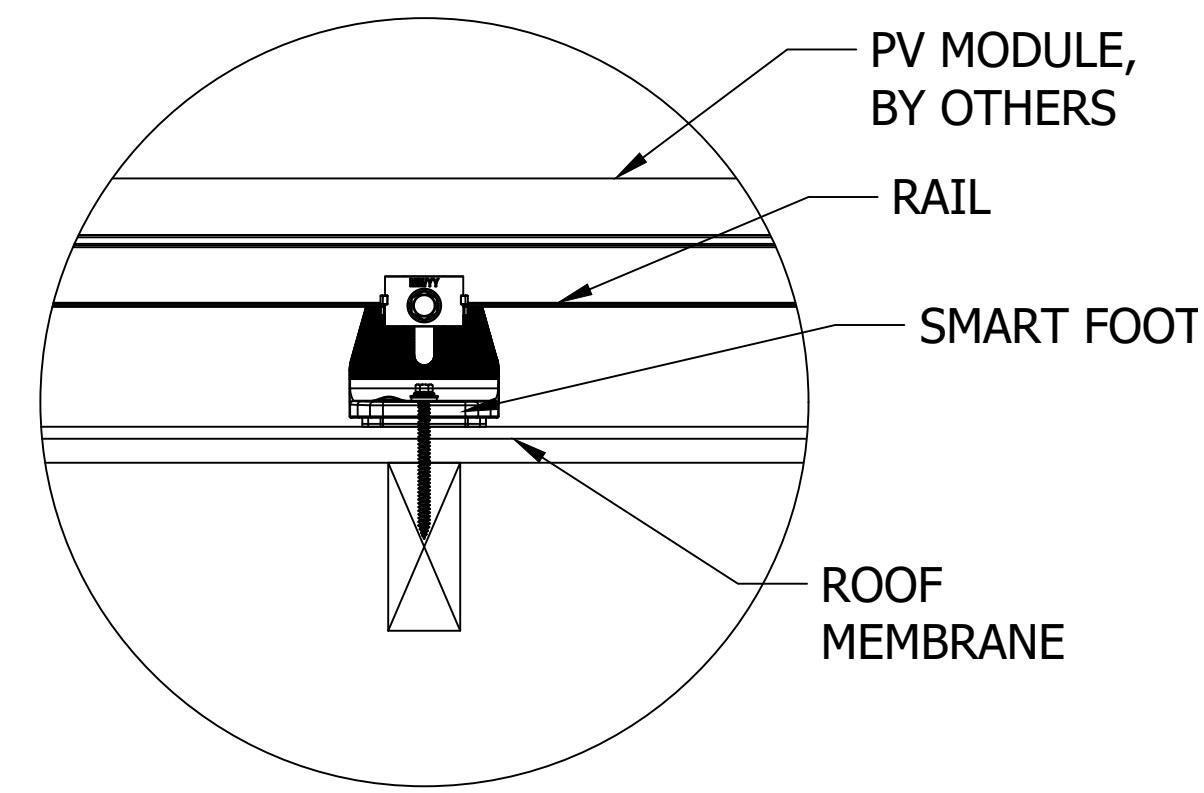
SHEET NAME

**SLOPED ROOF PV SYSTEM DETAILS: SMART FOOT COMP ASSEMBLY - PORTRAIT**

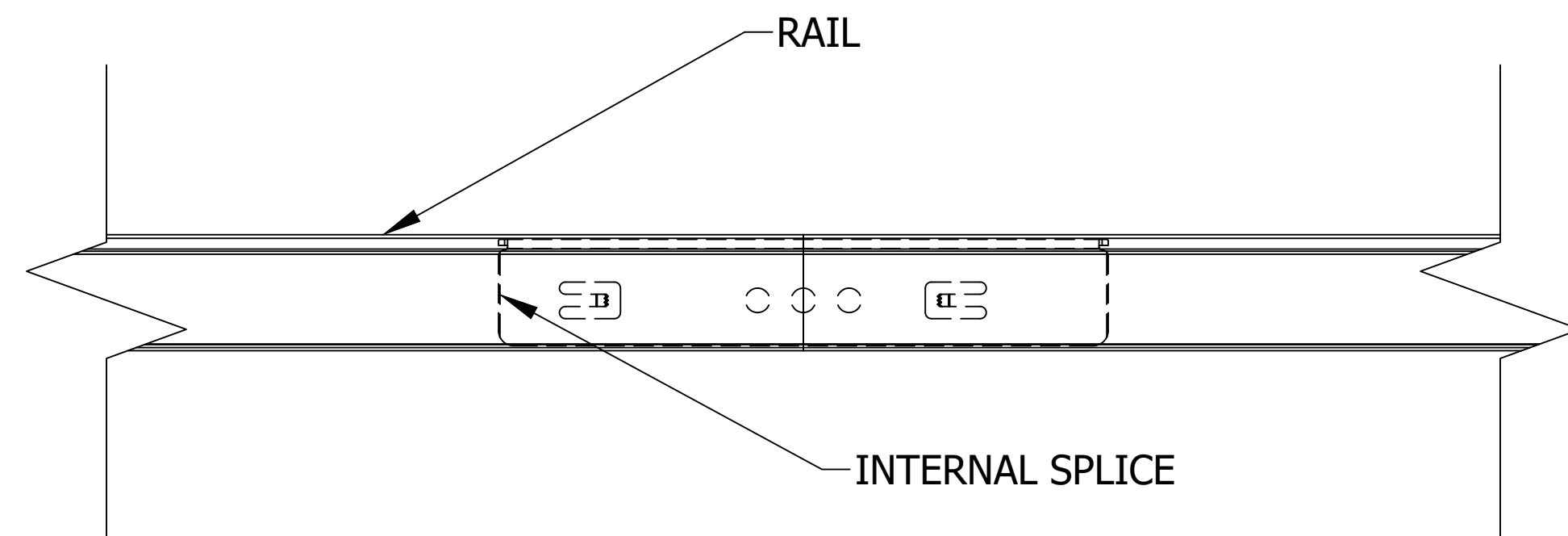
JOB NO.	1.1 SR
ISSUE DATE	SEP 2021
SHEET NO.	<b>ECO 1.0</b>
SHEET SIZE	24X36



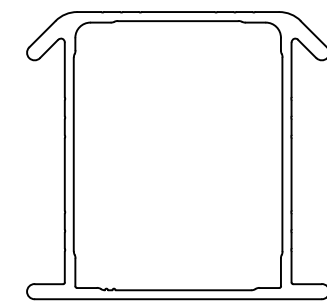
H SMART FOOT DETAIL SIDE  
Scale: 3"=1'-0"



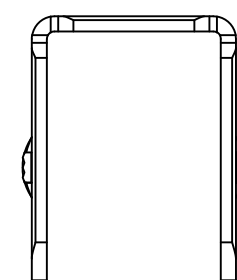
J SMART FOOT DETAIL FRONT  
Scale: 3"=1'-0"



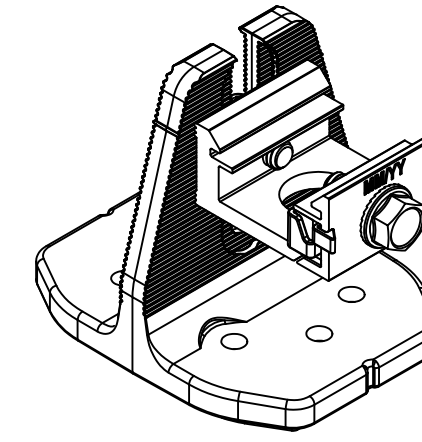
K DETAIL, SPLICE CONNECTION  
6"=1'-0"



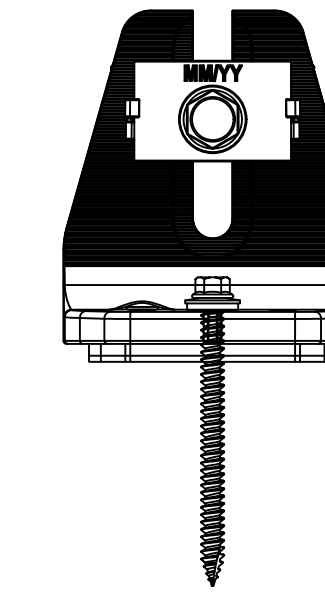
L DETAIL, RAIL  
1'-0"=1'-0"



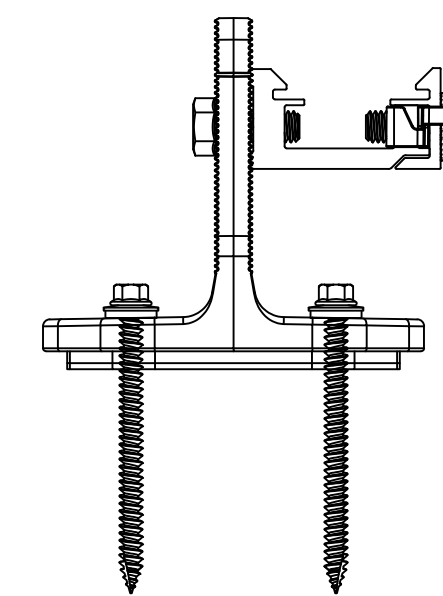
M DETAIL, SPLICE  
1'-0"=1'-0"



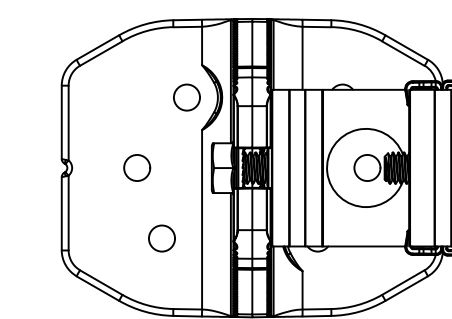
N ECOFASTEN SMART FOOT



O ECOFASTEN SMART FOOT, FRONT VIEW



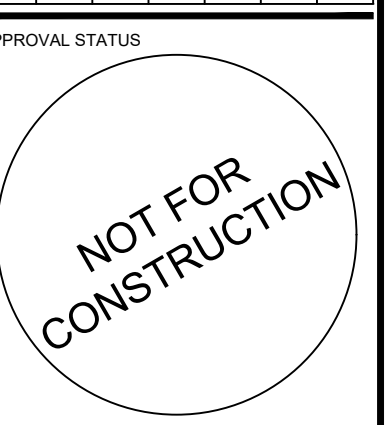
P ECOFASTEN SMART FOOT, SIDE VIEW



Q ECOFASTEN SMART FOOT, PLAN VIEW

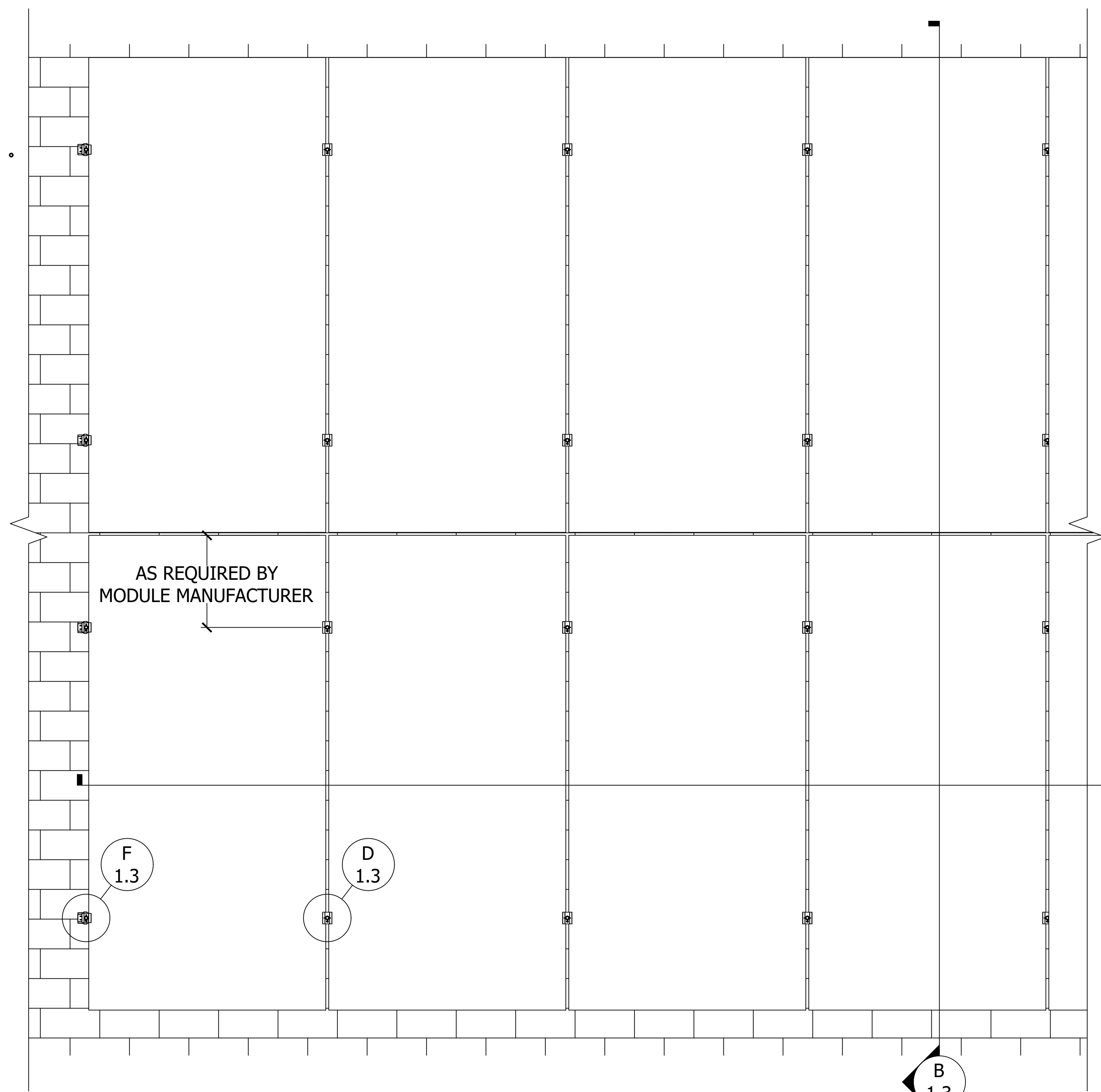
CLIENT NAME	ECOFASTEN
PROJECT NAME	SLOPED ROOF MOUNT SYSTEM
PROJECT ADDRESS	
SYSTEM KW DC	

WIND SPEED, MPH	-
SNOW LOAD, PSF	-
EXPOSURE CAT	-
RISK CAT	-
MODULE TYPE	-
MODULE W DC	-
MODULE QTY	-

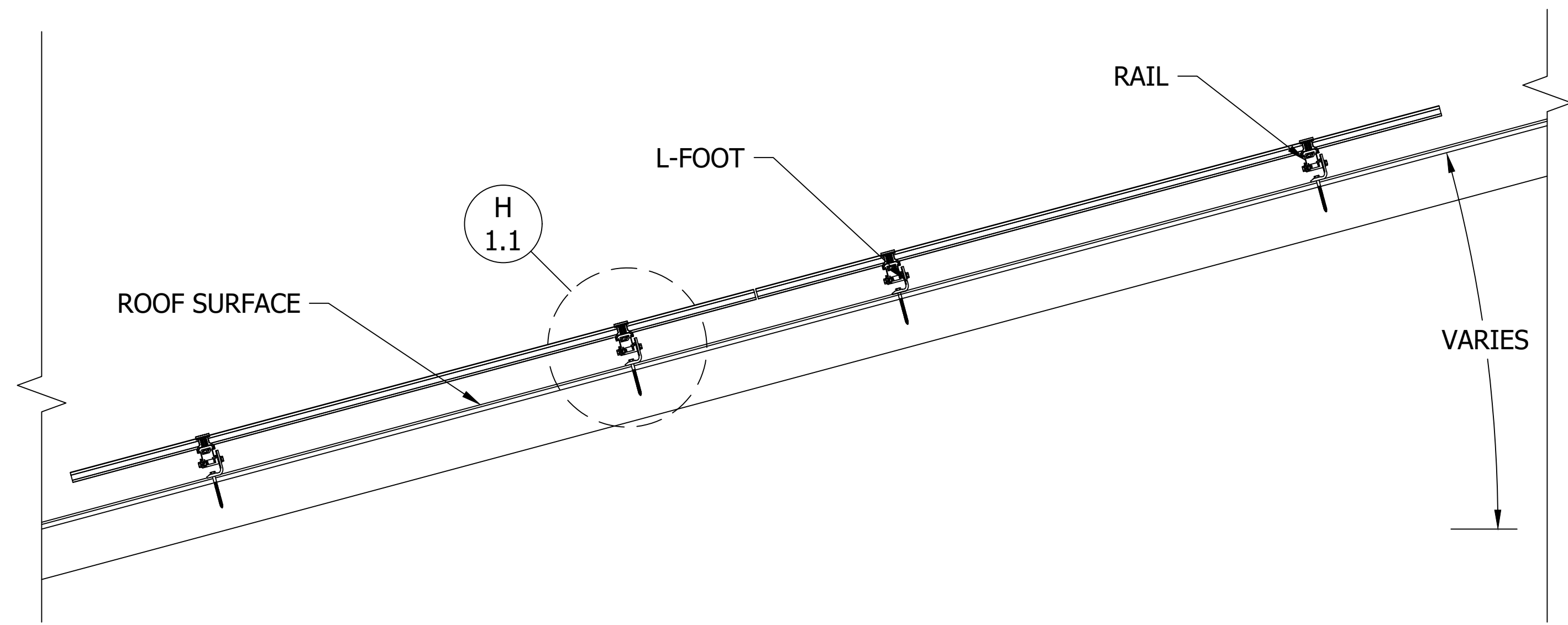


REVISION HISTORY		
REV	DESCRIPTION	DATE

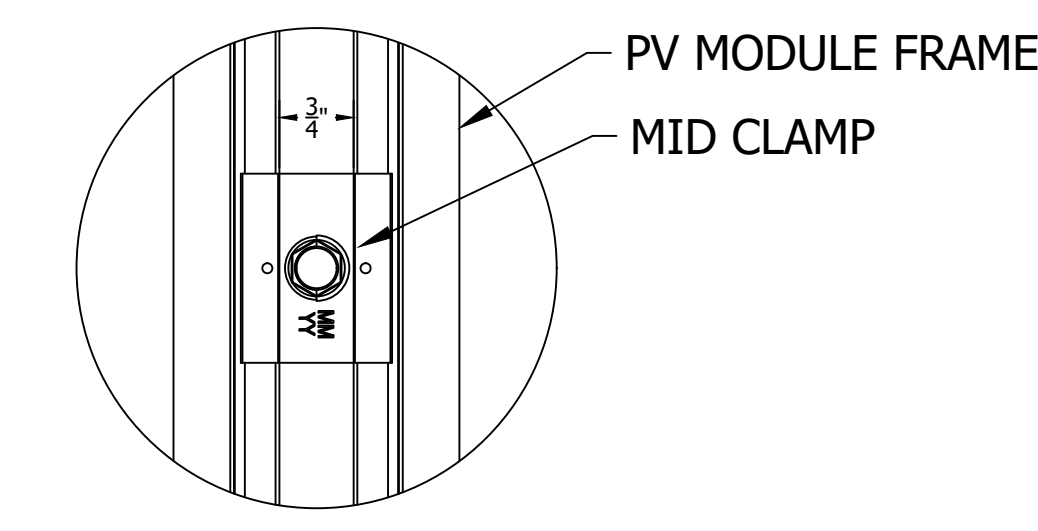
SHEET NAME	
SLOPED ROOF PV SYSTEM DETAILS: SMART FOOT DETAILS	
JOB NO.	3.1 SR
ISSUE DATE	SEP 2021
SHEET NO.	ECO 1.1
SHEET SIZE	24X36



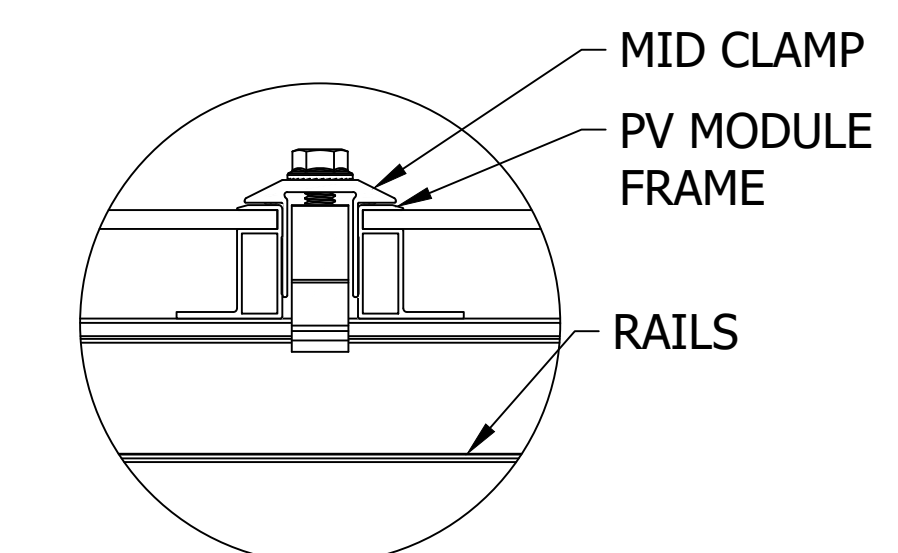
**A** PLAN VIEW, COMP ASSEMBLY, PORTRAIT MODULE  
Scale: 1"=1'-0"



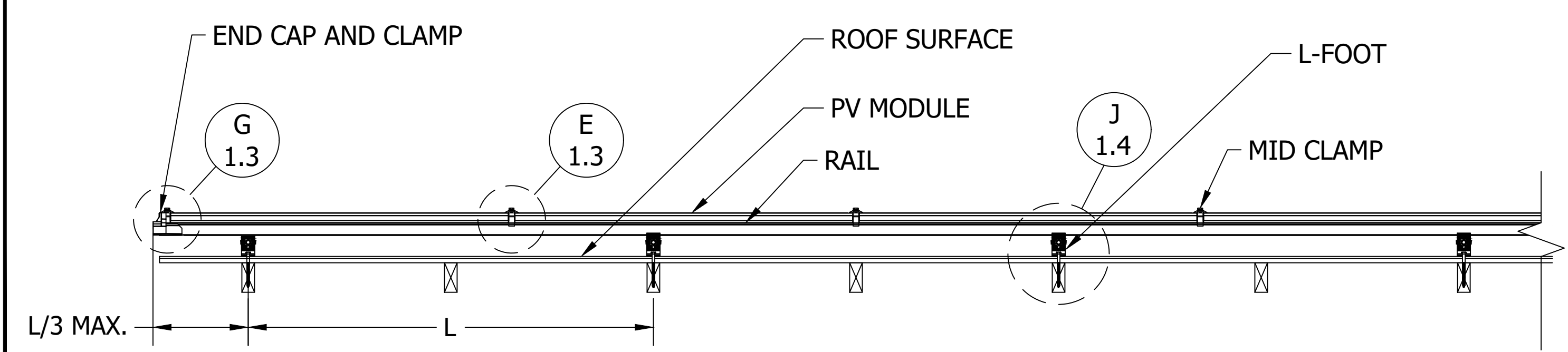
**B** SIDE VIEW, COMP ASSEMBLY, PORTRAIT MODULE  
Scale: 1"=1'-0"



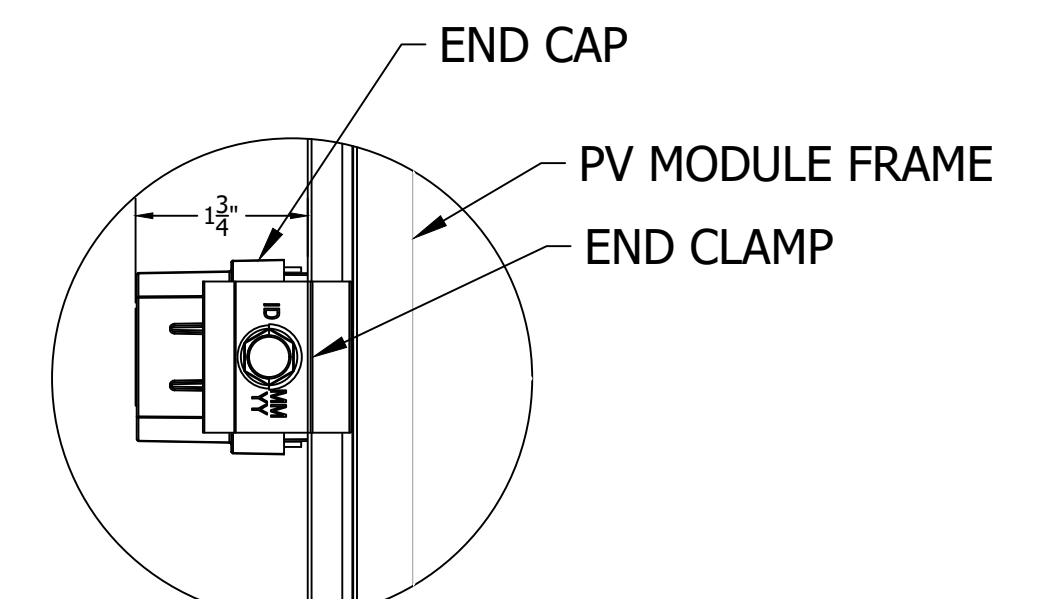
**D** DETAIL, MID CLAMP PLAN  
Scale: 6"=1'-0"



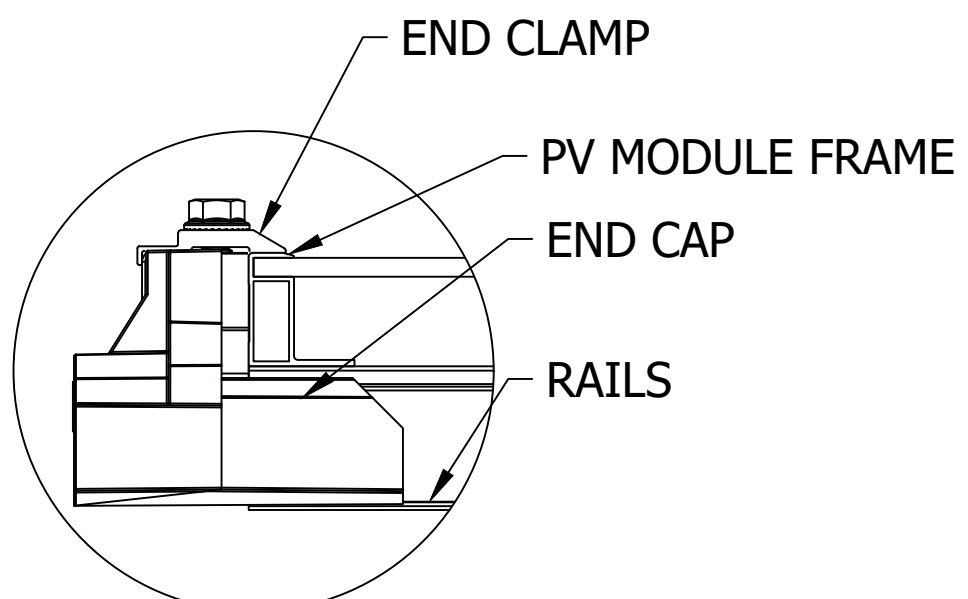
**E** DETAIL, MID CLAMP FRONT  
Scale: 6"=1'-0"



**C** FRONT VIEW, COMP ASSEMBLY, PORTRAIT MODULE  
Scale: 1"=1'-0"



**F** DETAIL, END CAP AND CLAMP PLAN  
Scale: 6"=1'-0"



**G** DETAIL, END CAP AND CLAMP FRONT  
Scale: 6"=1'-0"

CLIENT NAME	ECOFASTEN
PROJECT NAME	SLOPED ROOF MOUNT SYSTEM
PROJECT ADDRESS	
SYSTEM KW DC	

WIND SPEED, MPH	
SNOW LOAD, PSF	
EXPOSURE CAT	
RISK CAT	
MODULE TYPE	
MODULE W/DC	
MODULE QTY	

APPROVAL STATUS

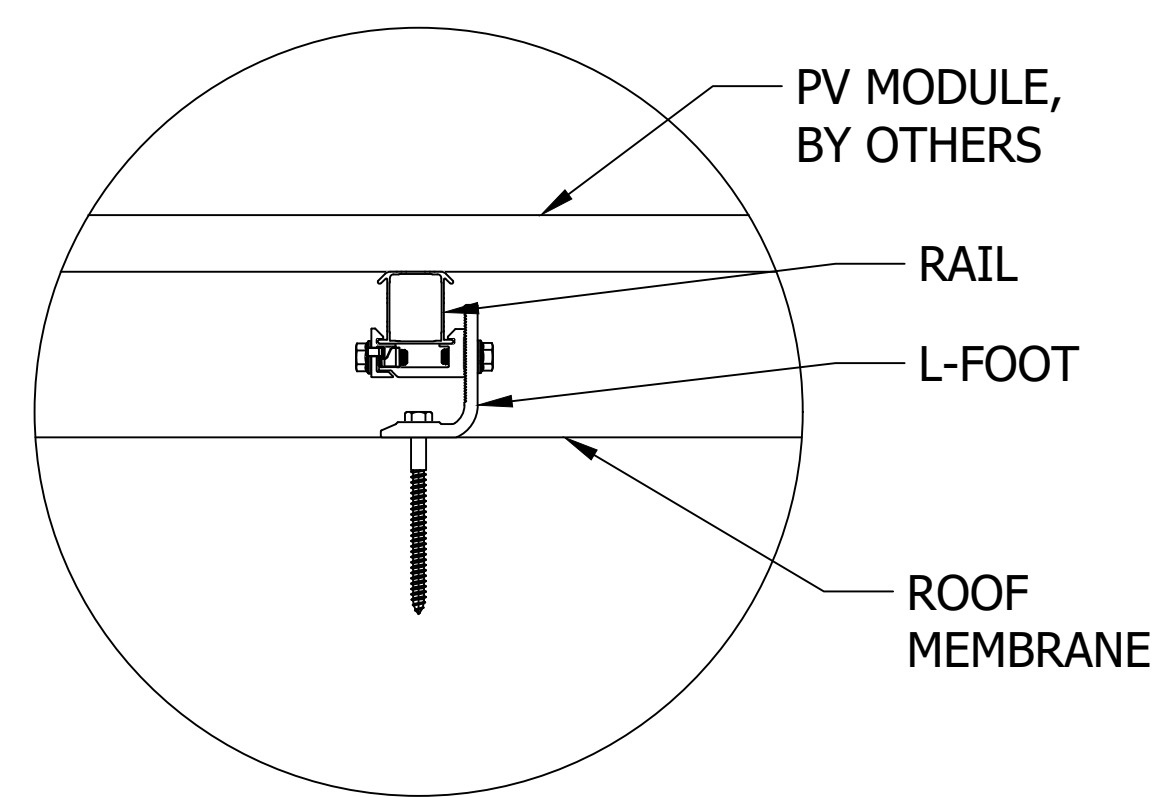
NOT FOR CONSTRUCTION

REV	DESCRIPTION	DATE

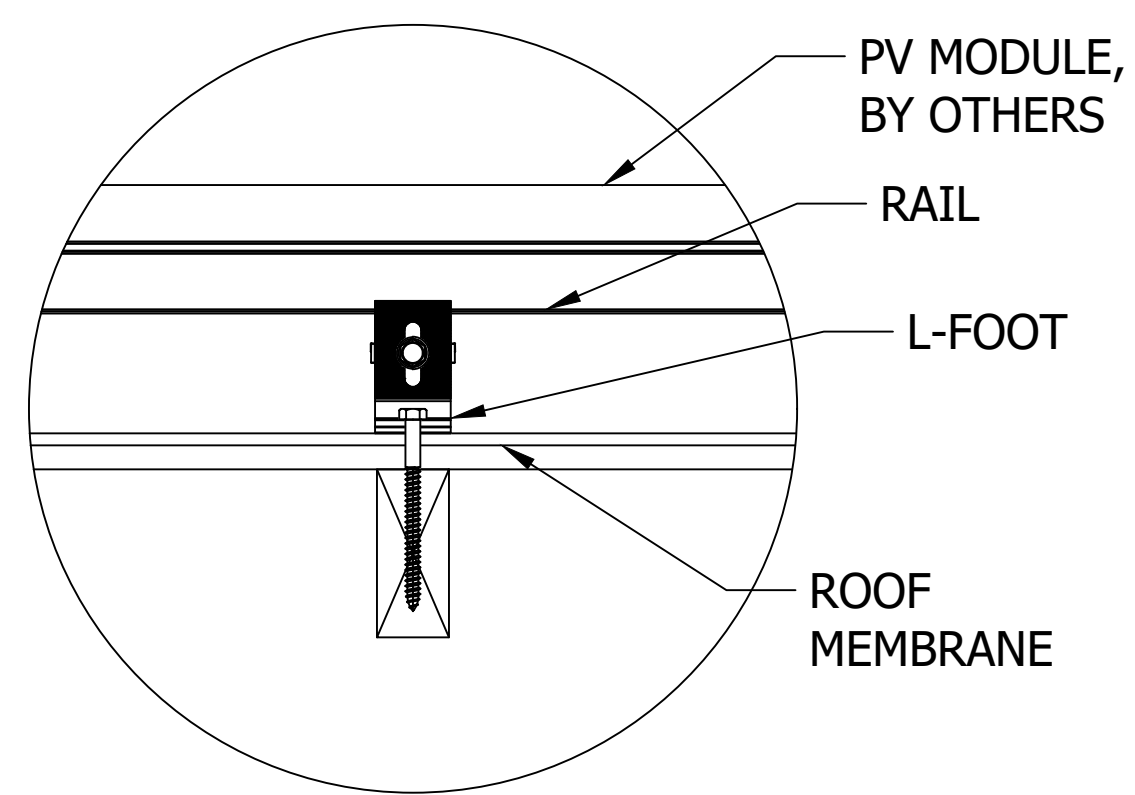
SHEET NAME

SLOPED ROOF PV SYSTEM  
DETAILS: L-FOOT COMP ASSEMBLY - PORTRAIT

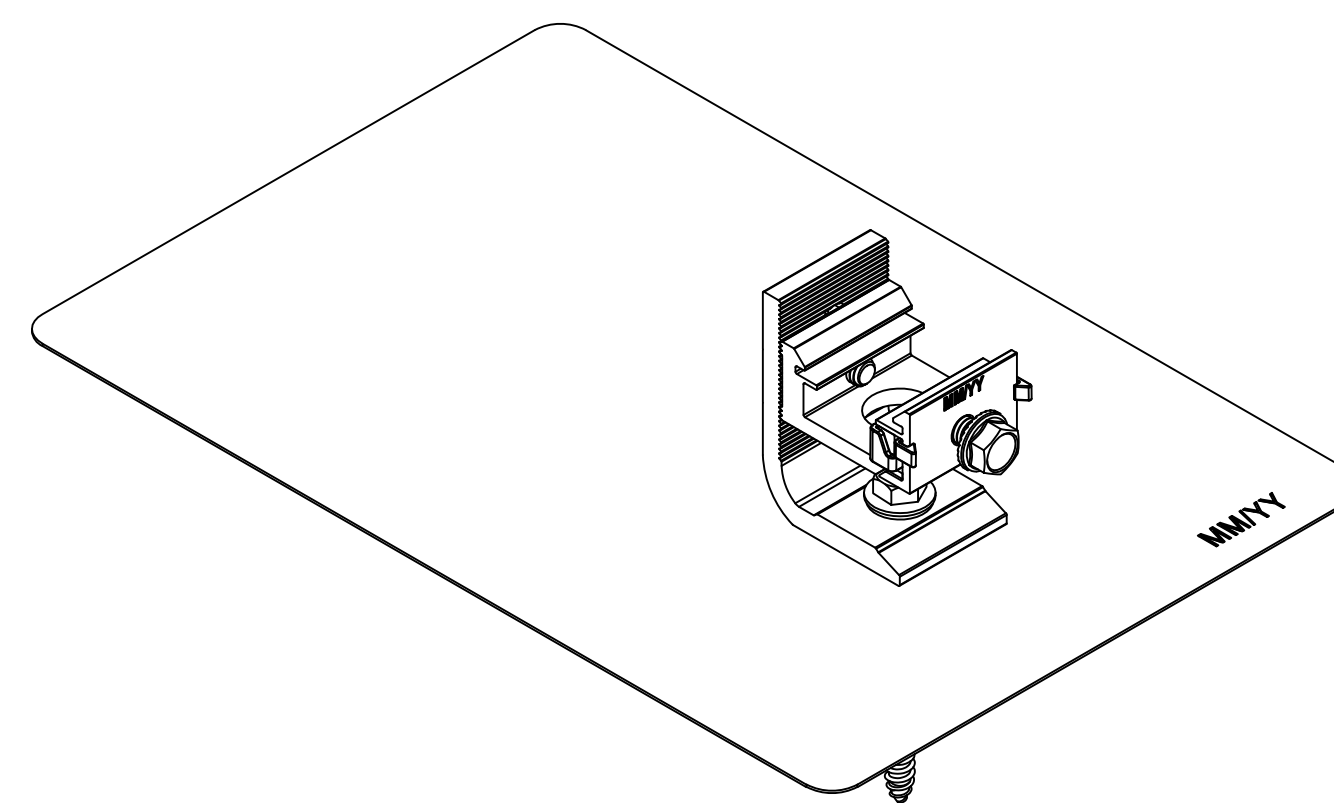
JOB NO.	1.1 SR
ISSUE DATE	SEP 2021
SHEET NO.	<b>ECO 1.3</b>
SHEET SIZE	24X36



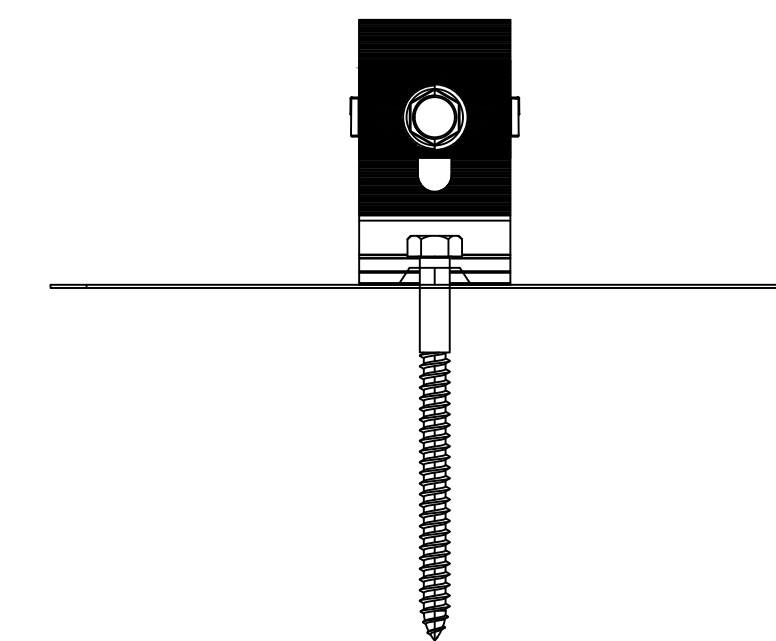
H SMART FOOT DETAIL SIDE  
Scale: 3"=1'-0"



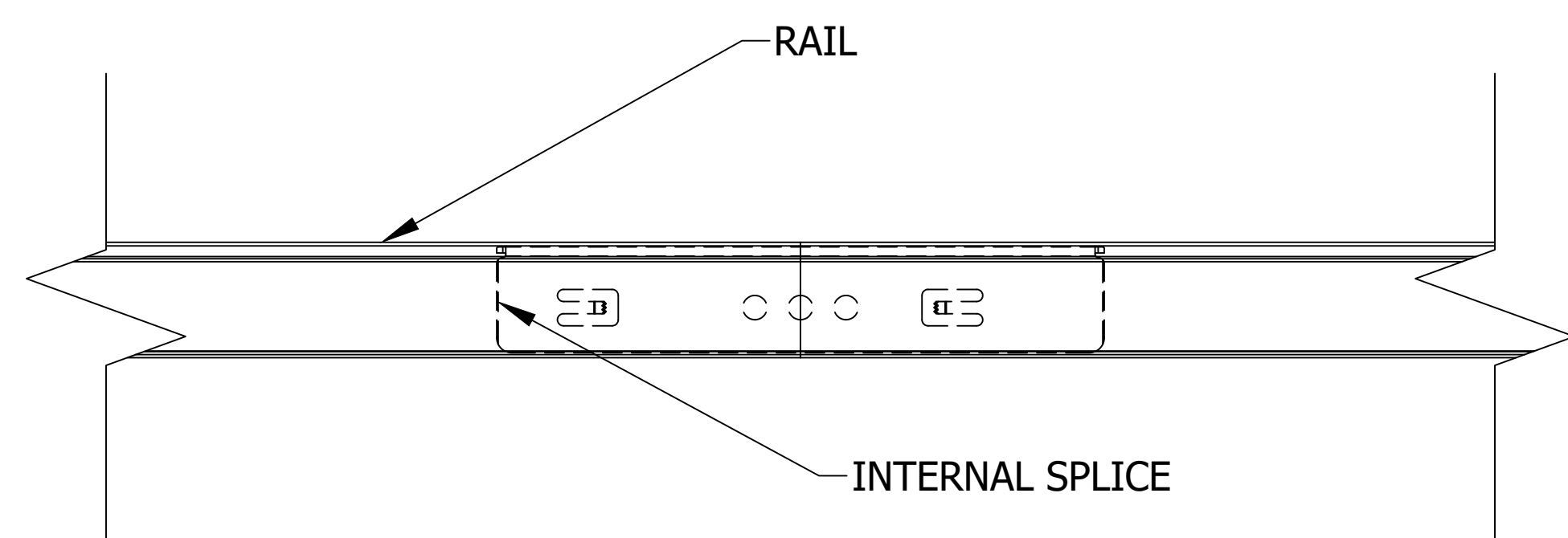
J SMART FOOT DETAIL FRONT  
Scale: 3"=1'-0"



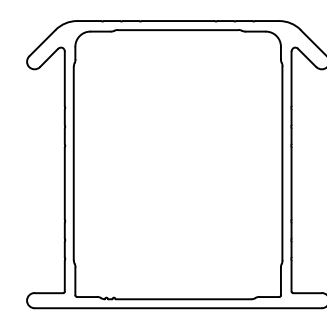
N ECOFASTEN SMART FOOT



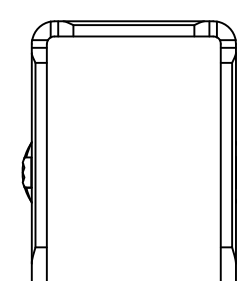
O ECOFASTEN SMART FOOT, FRONT VIEW



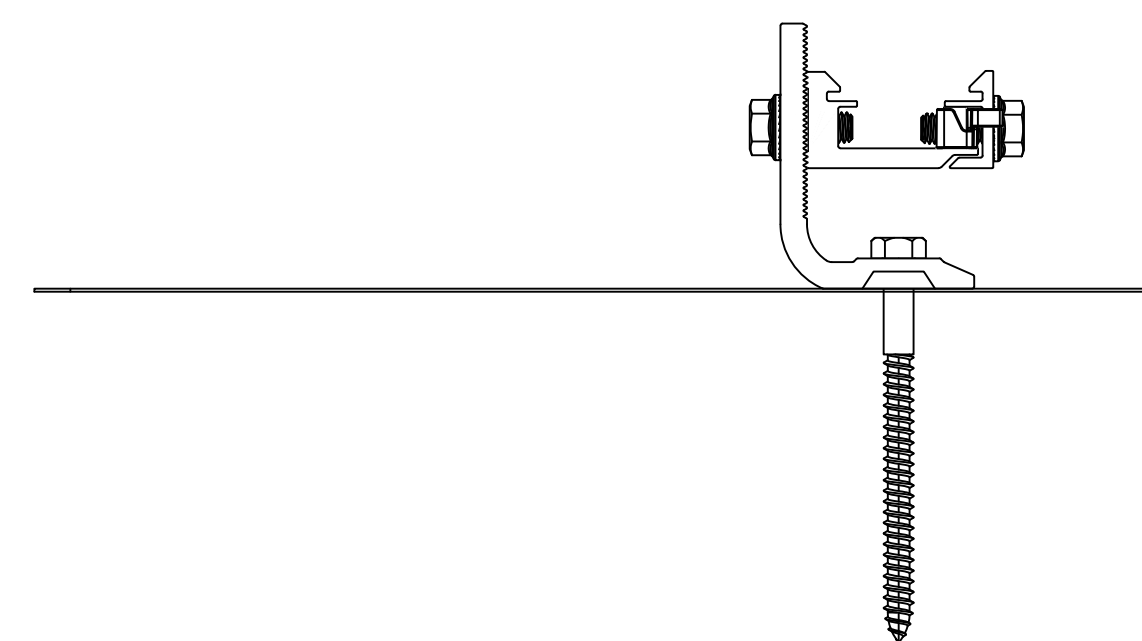
K DETAIL, SPLICE CONNECTION  
6"=1'-0"



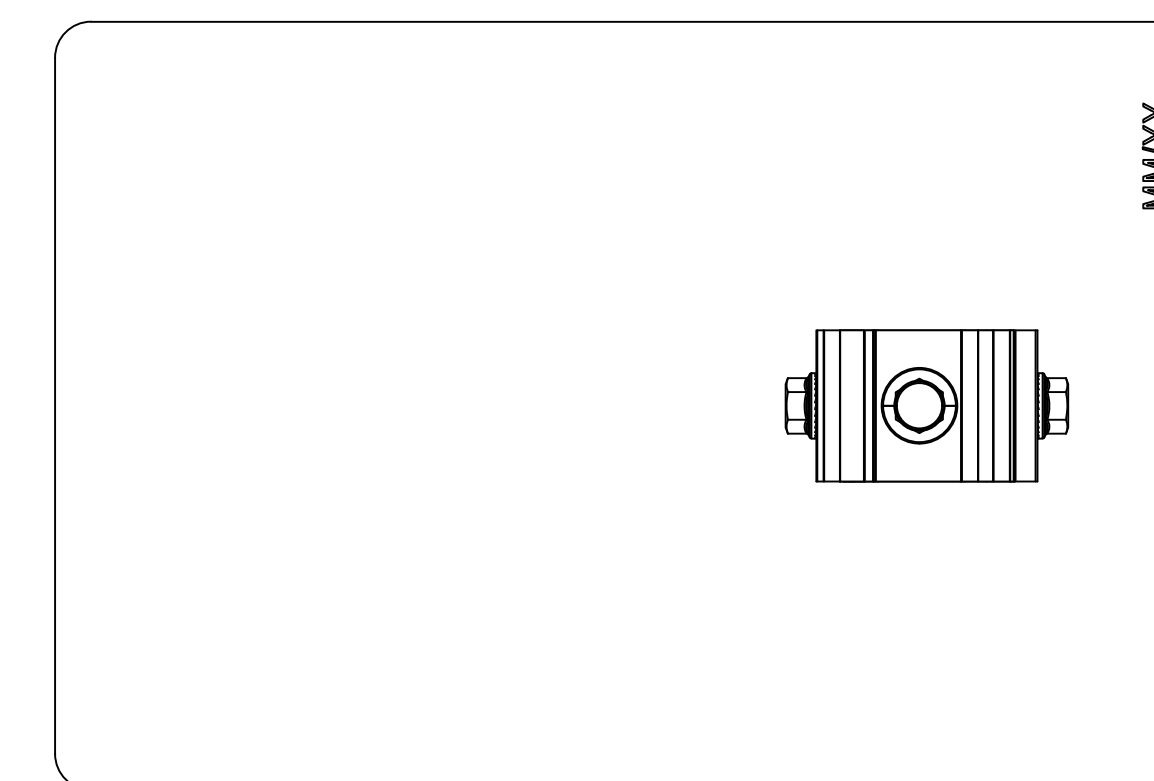
L DETAIL, RAIL  
1'-0"=1'-0"



M DETAIL, SPLICE  
1'-0"=1'-0"



P ECOFASTEN SMART FOOT, SIDE VIEW



Q ECOFASTEN SMART FOOT, PLAN VIEW

CLIENT NAME	ECOFASTEN
PROJECT NAME	SLOPED ROOF MOUNT SYSTEM
PROJECT ADDRESS	
SYSTEM KW DC	

WIND SPEED, MPH	-
SNOW LOAD, PSF	-
EXPOSURE CAT	-
RISK CAT	-
MODULE TYPE	-
MODULE W DC	-
MODULE QTY	-

APPROVAL STATUS

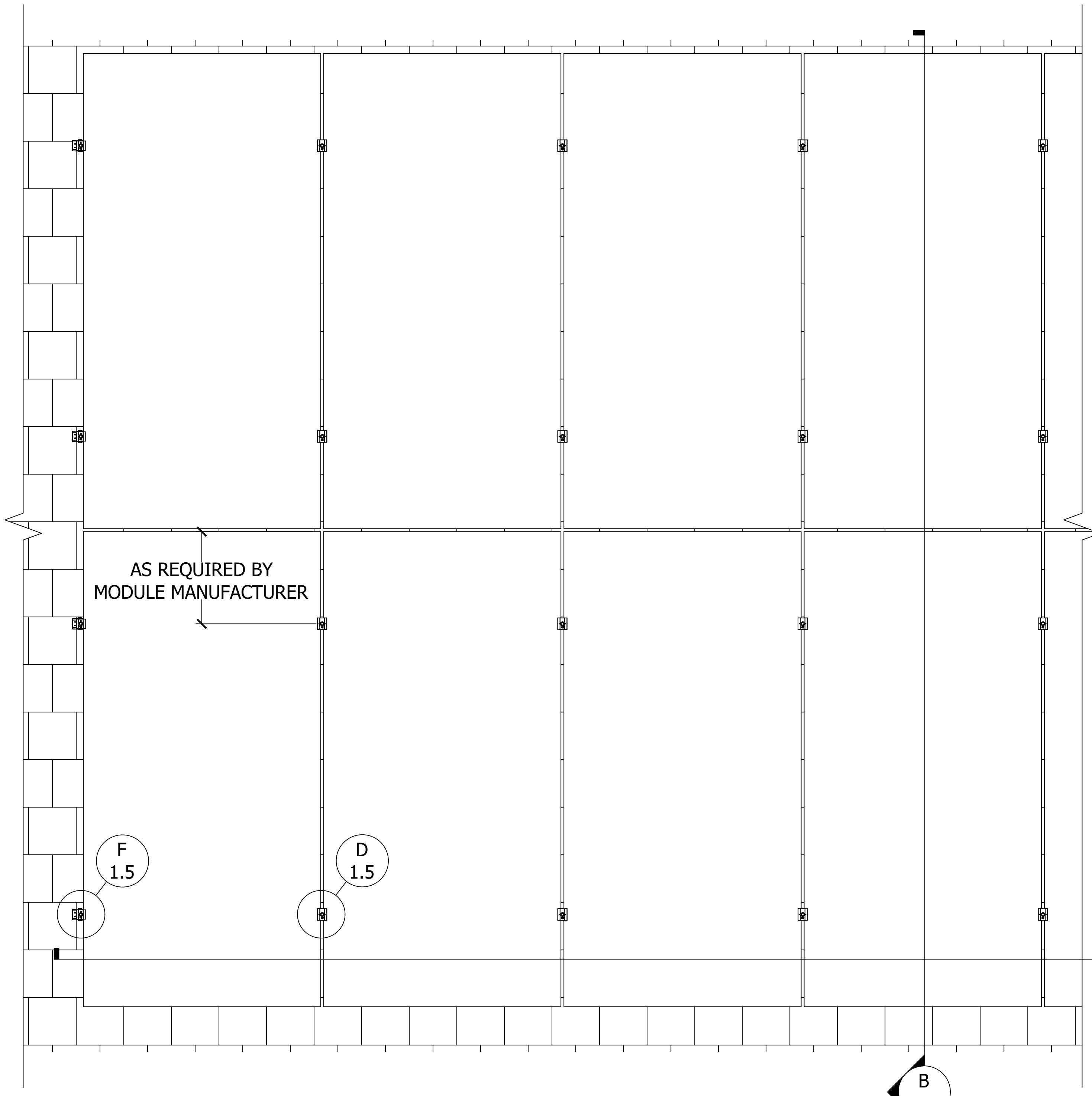
NOT FOR CONSTRUCTION

REV	DESCRIPTION	DATE

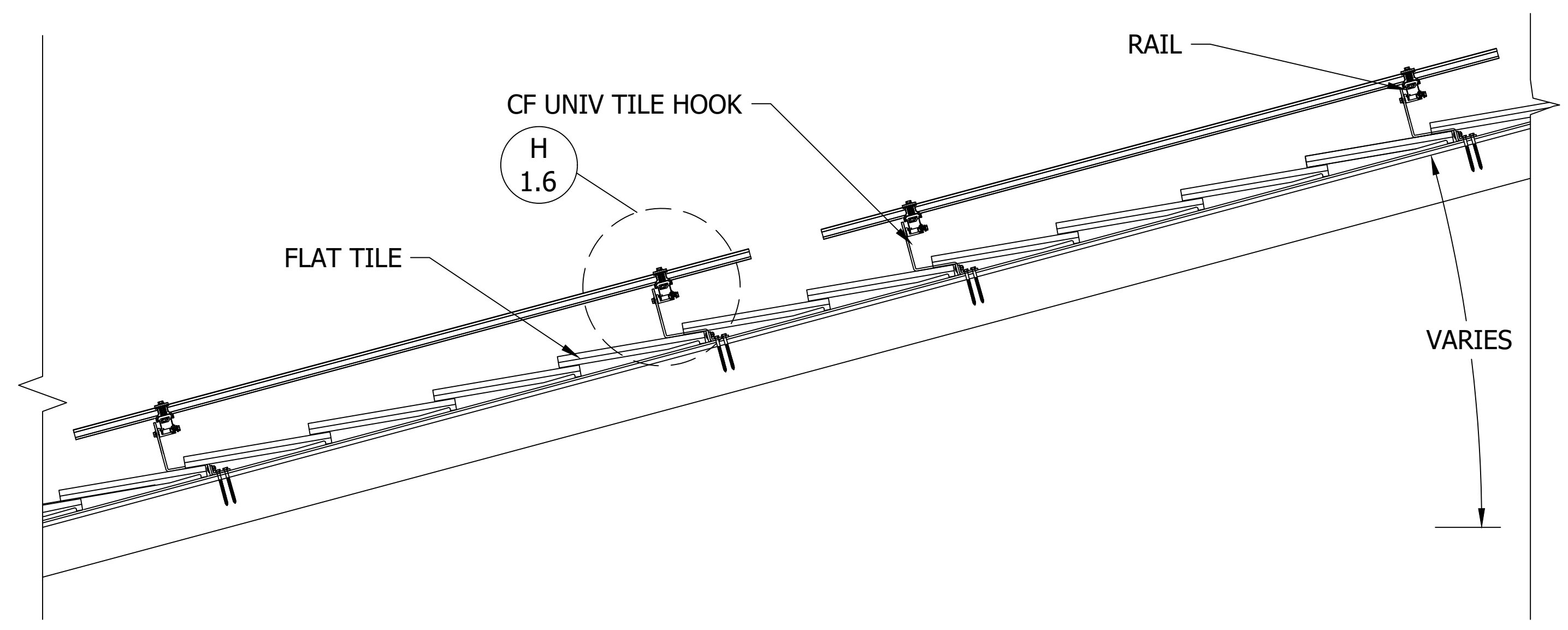
SHEET NAME

**SLOPED ROOF PV SYSTEM  
DETAILS: L-FOOT  
DETAILS**

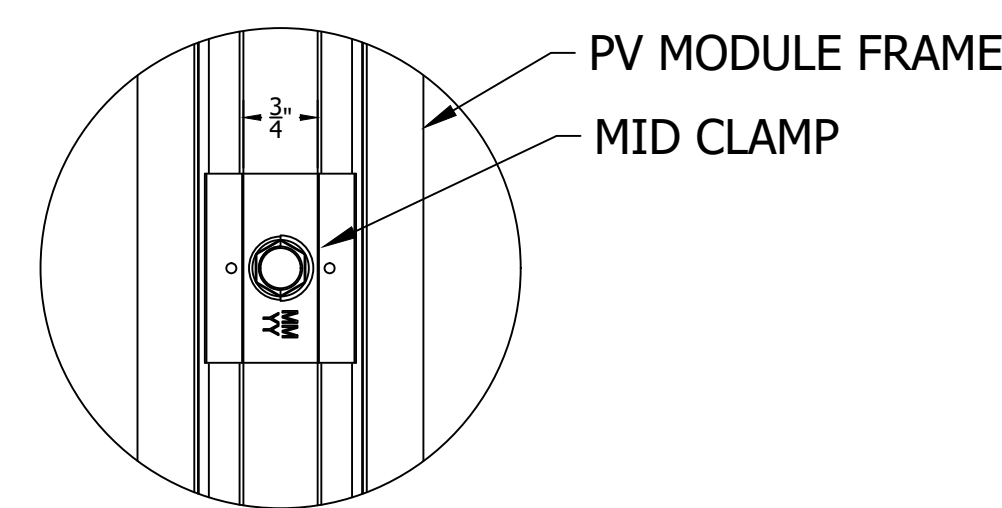
JOB NO.	3.1 SR
ISSUE DATE	SEP 2021
SHEET NO.	<b>ECO 1.4</b>
SHEET SIZE	24X36



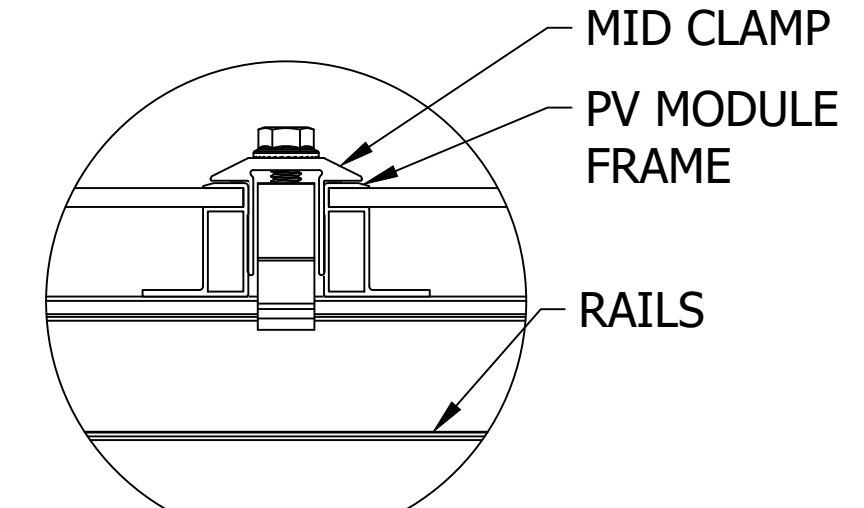
**A** PLAN VIEW, TILE ASSEMBLY, PORTRAIT MODULE  
Scale: 1"=1'-0"



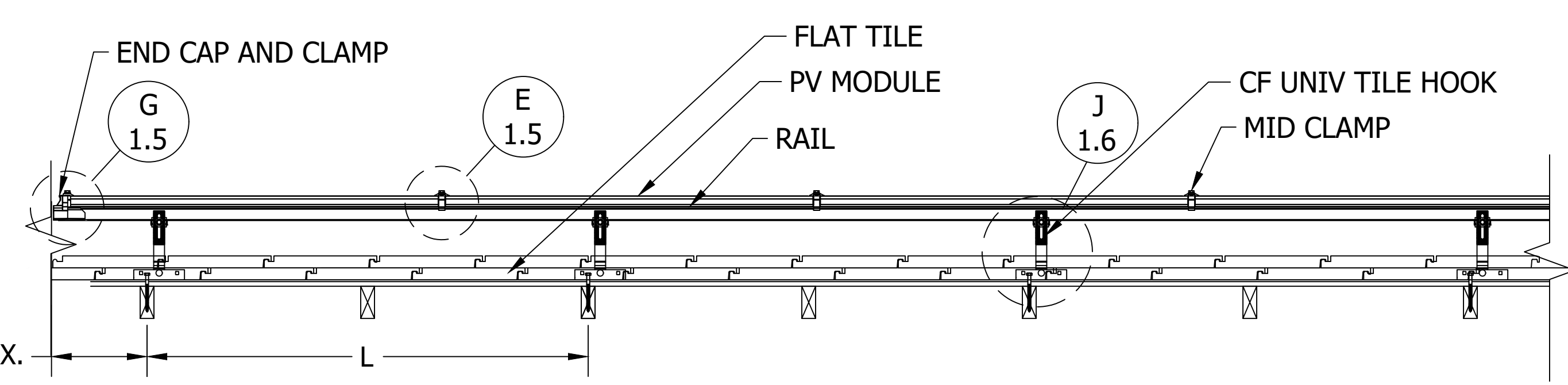
**B** SIDE VIEW, TILE ASSEMBLY, PORTRAIT MODULE  
Scale: 1"=1'-0"



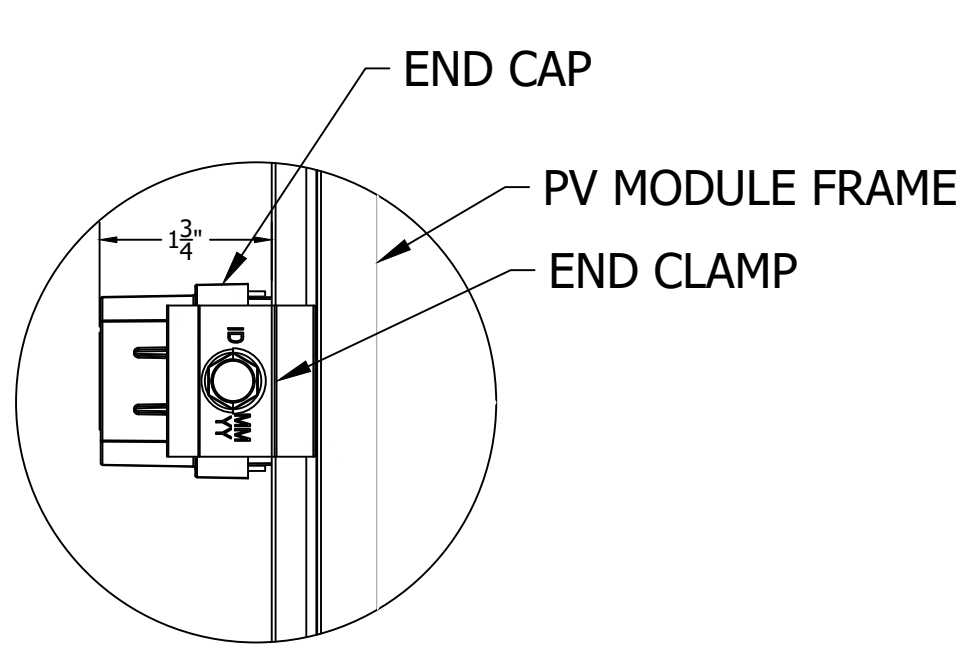
**D** DETAIL, MID CLAMP PLAN  
Scale: 6"=1'-0"



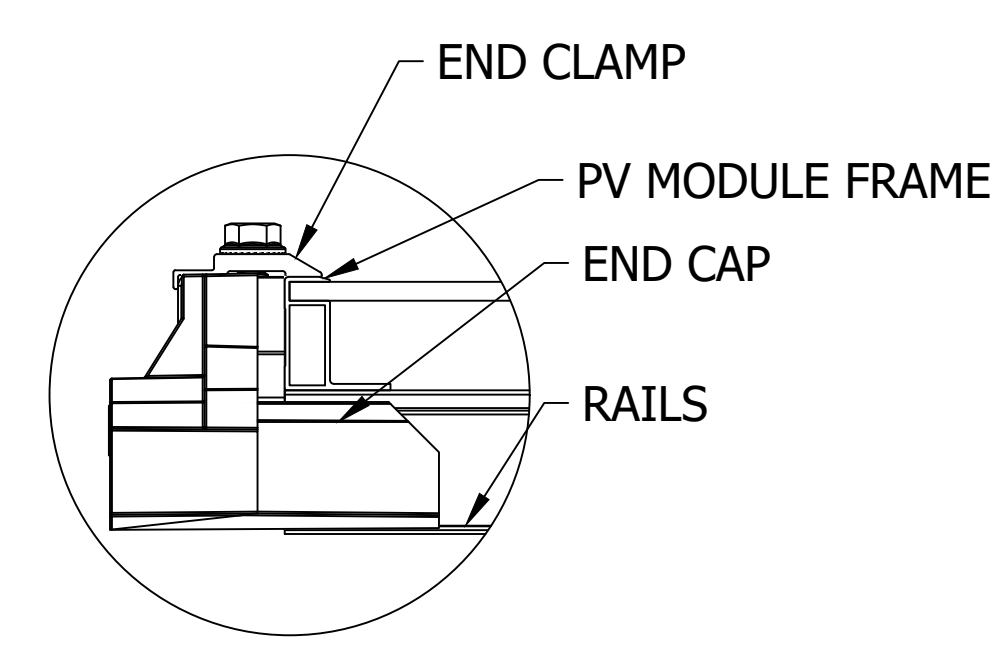
**E** DETAIL, MID CLAMP FRONT  
Scale: 6"=1'-0"



**C** FRONT VIEW, TILE ASSEMBLY, PORTRAIT MODULE  
Scale: 1"=1'-0"



**F** DETAIL, END CAP AND CLAMP PLAN  
Scale: 6"=1'-0"



**G** DETAIL, END CAP AND CLAMP FRONT  
Scale: 6"=1'-0"

CLIENT NAME	ECOFASTEN
PROJECT NAME	SLOPED ROOF MOUNT SYSTEM
PROJECT ADDRESS	
SYSTEM KW/DC	

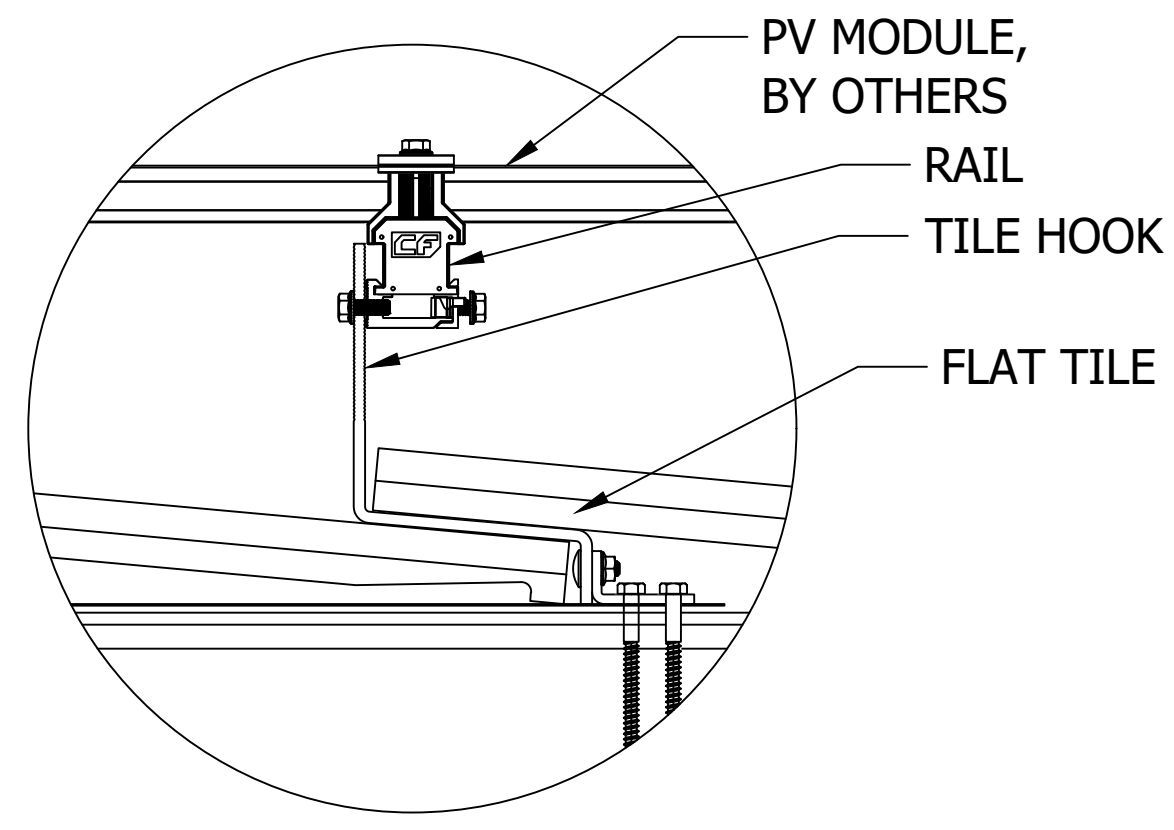
WIND SPEED, MPH	
SNOW LOAD, PSF	
EXPOSURE CAT	
RISK CAT	
MODULE TYPE	
MODULE W/DC	
MODULE QTY	

APPROVAL STATUS  
**NOT FOR CONSTRUCTION**

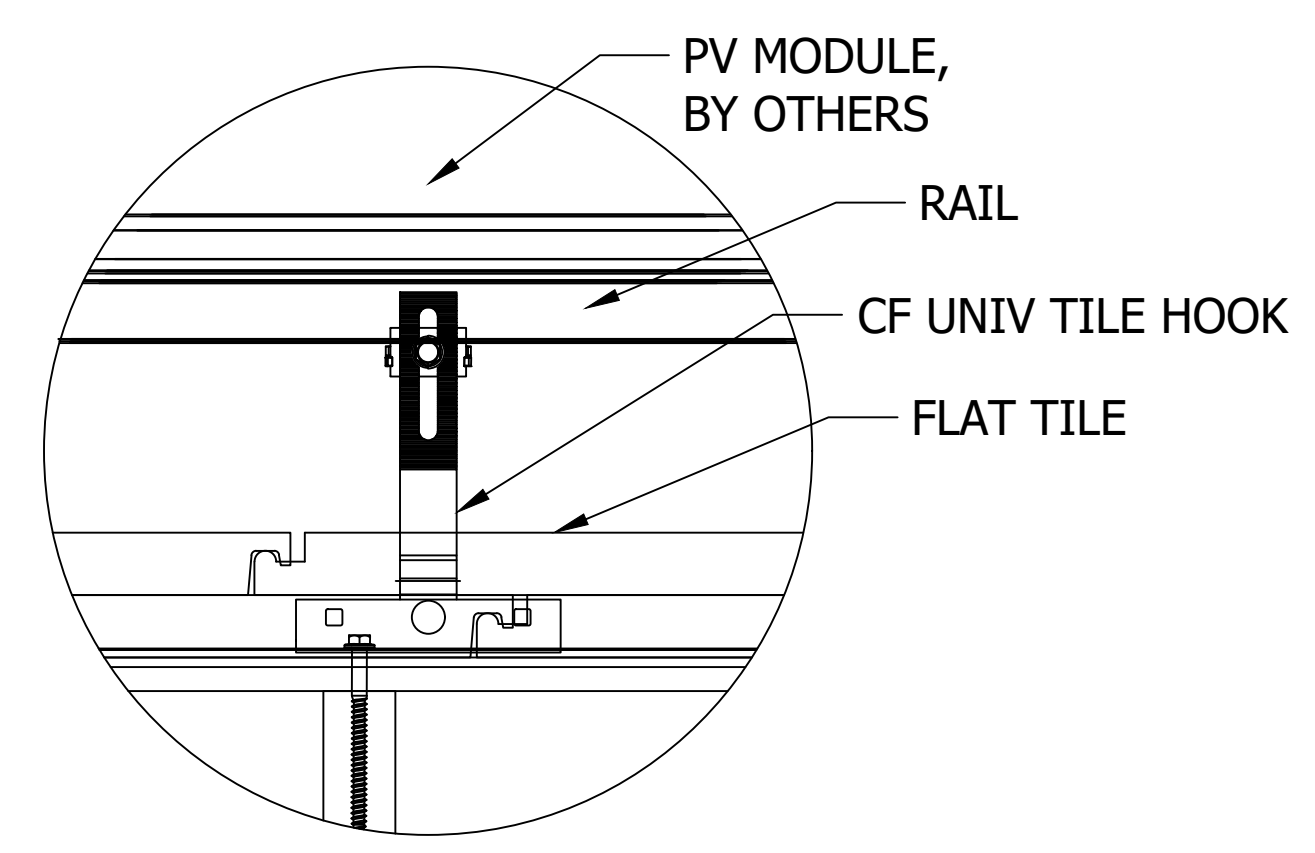
REV	DESCRIPTION	DATE

SHEET NAME  
**SLOPED ROOF PV SYSTEM  
DETAILS: CF UNIV  
TILE HOOK TILE  
ASSEMBLY -  
PORTRAIT**

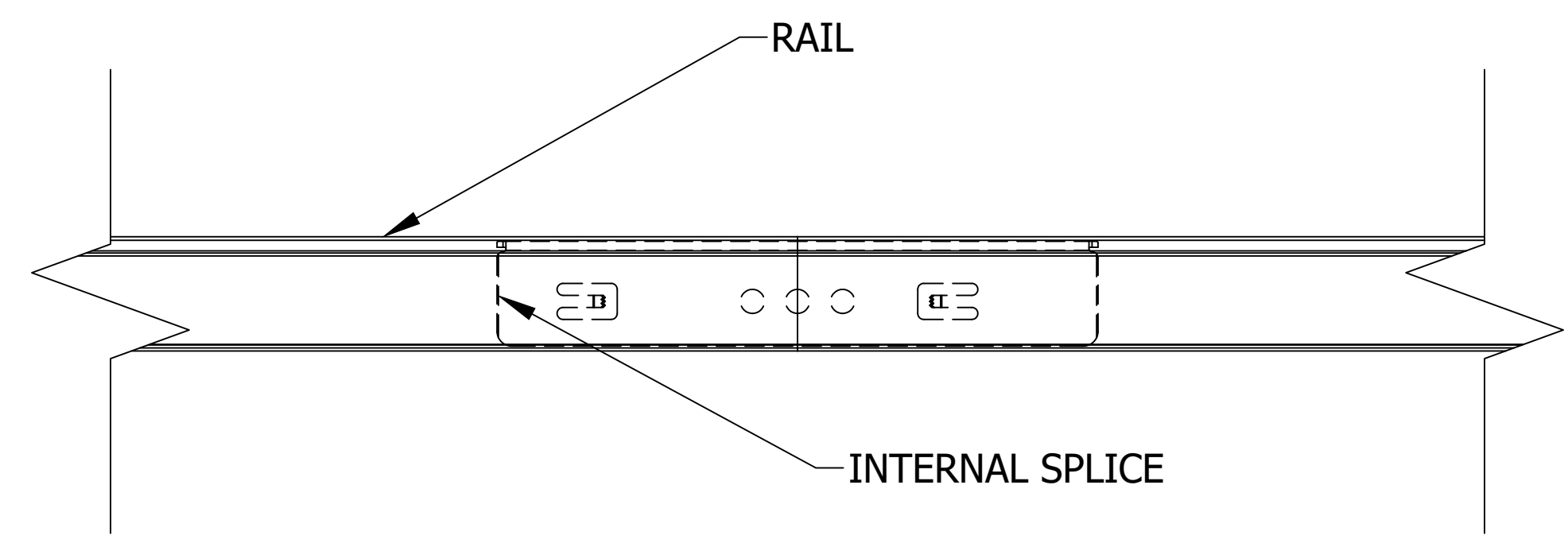
JOB NO.	1.1 SR
ISSUE DATE	SEP 2021
SHEET NO.	<b>ECO 1.5</b>
SHEET SIZE	24X36



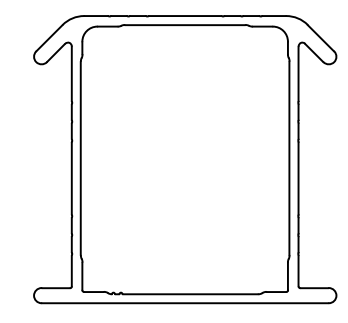
H CF UNIV TILE HOOK DETAIL SIDE  
Scale: 3"=1'-0"



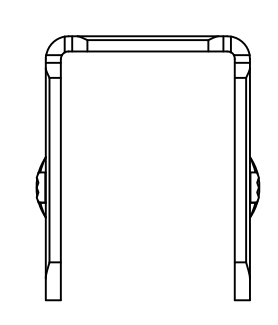
J CF UNIV TILE HOOK DETAIL FRONT  
Scale: 3"=1'-0"



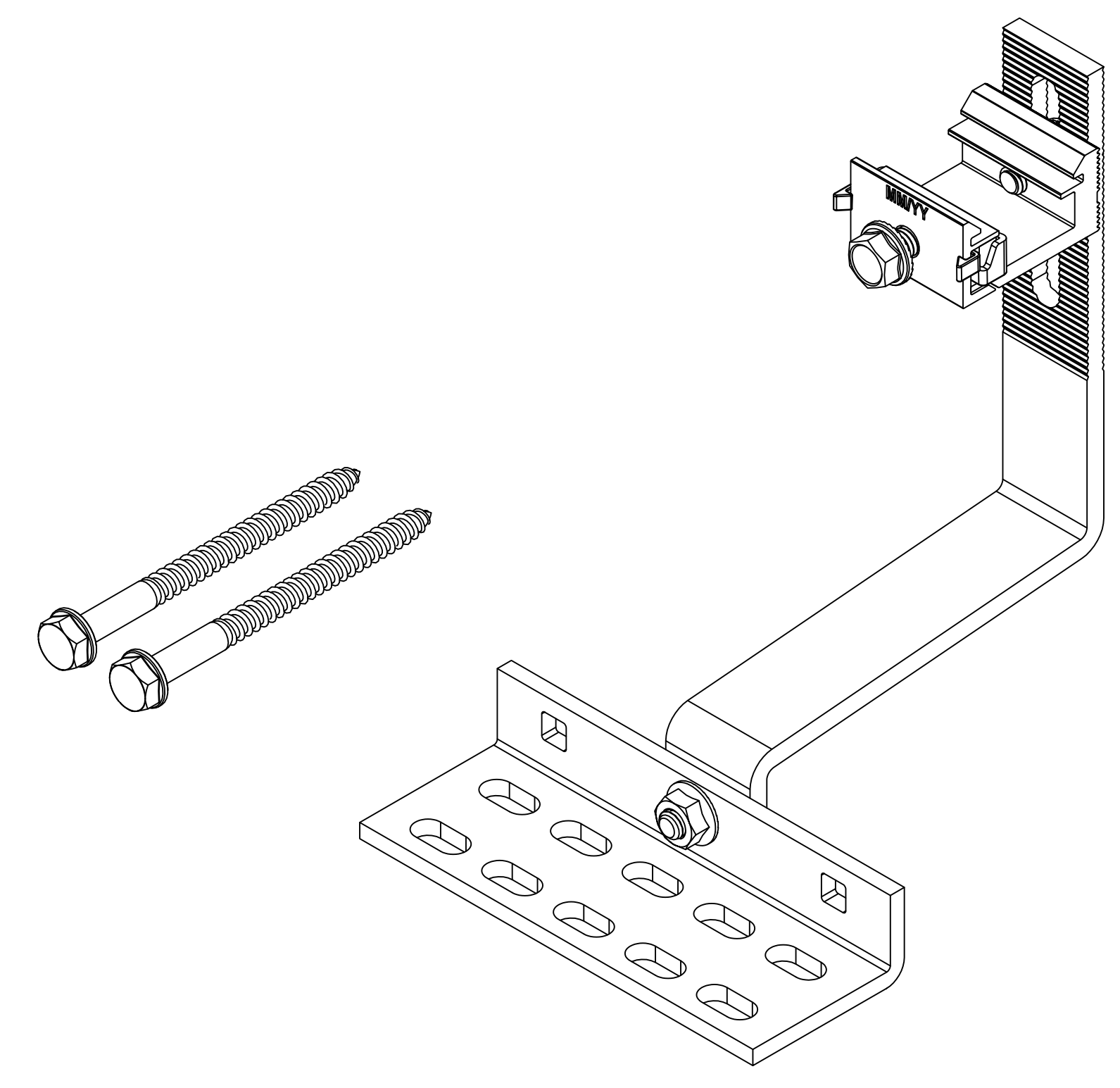
K DETAIL, SPLICE CONNECTION  
6"=1'-0"



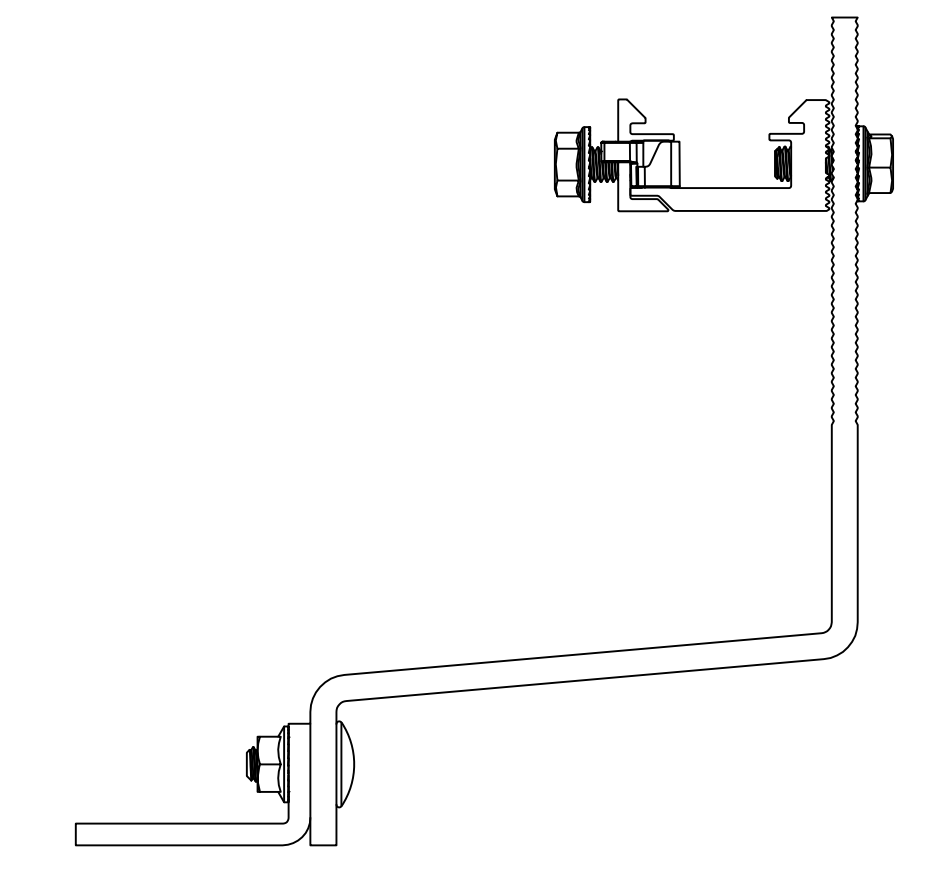
L DETAIL, RAIL  
1'-0"=1'-0"



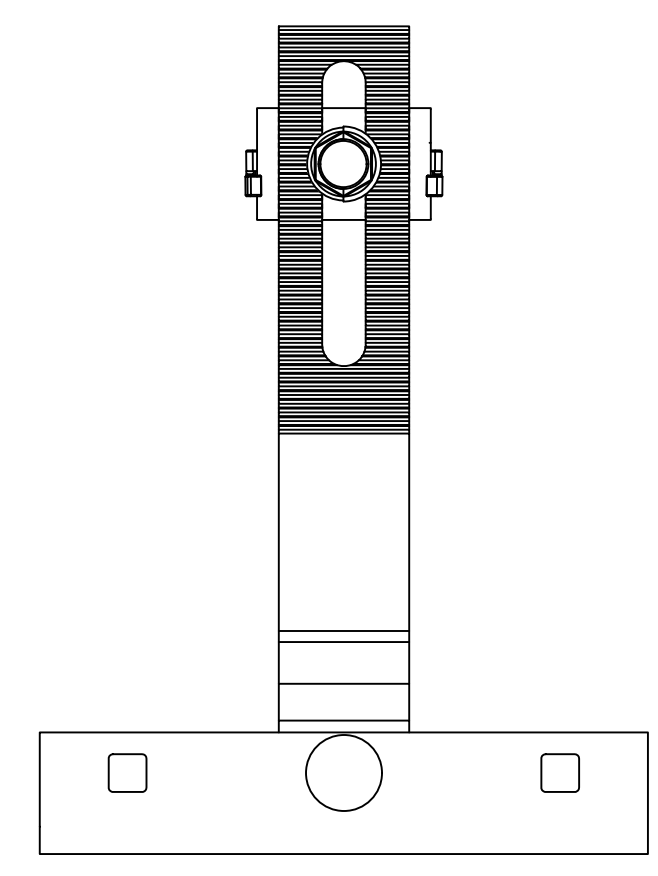
M DETAIL, SPLICE  
1'-0"=1'-0"



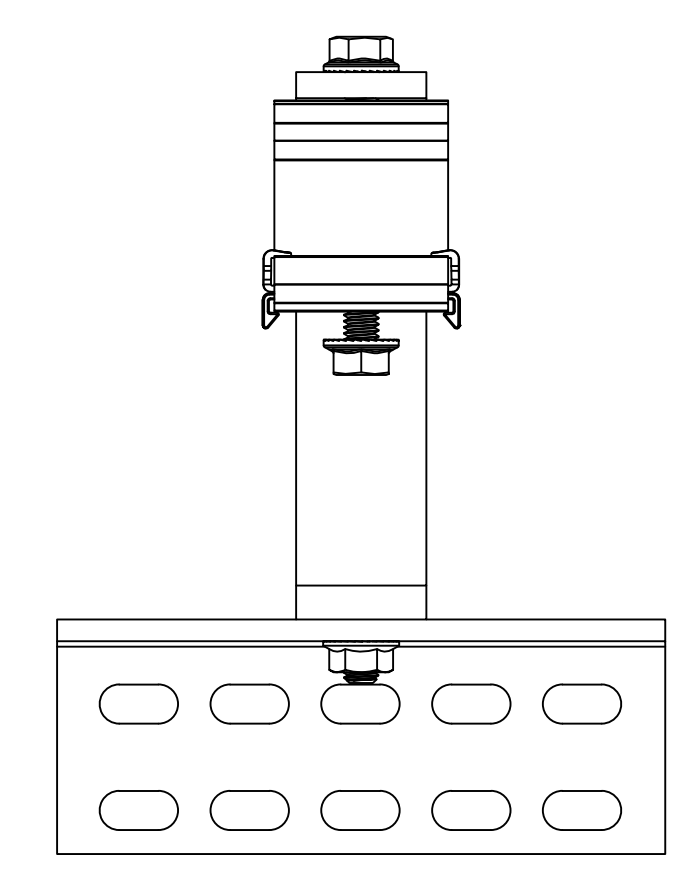
N ECOFASTEN CF UNIV TILE HOOK



O ECOFASTEN CF UNIV TILE HOOK, FRONT VIEW



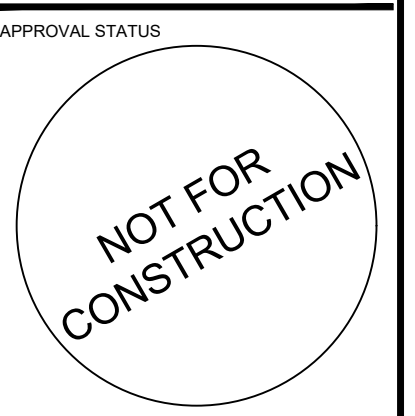
P ECOFASTEN CF UNIV TILE HOOK, SIDE VIEW



Q ECOFASTEN CF UNIV TILE HOOK, PLAN VIEW

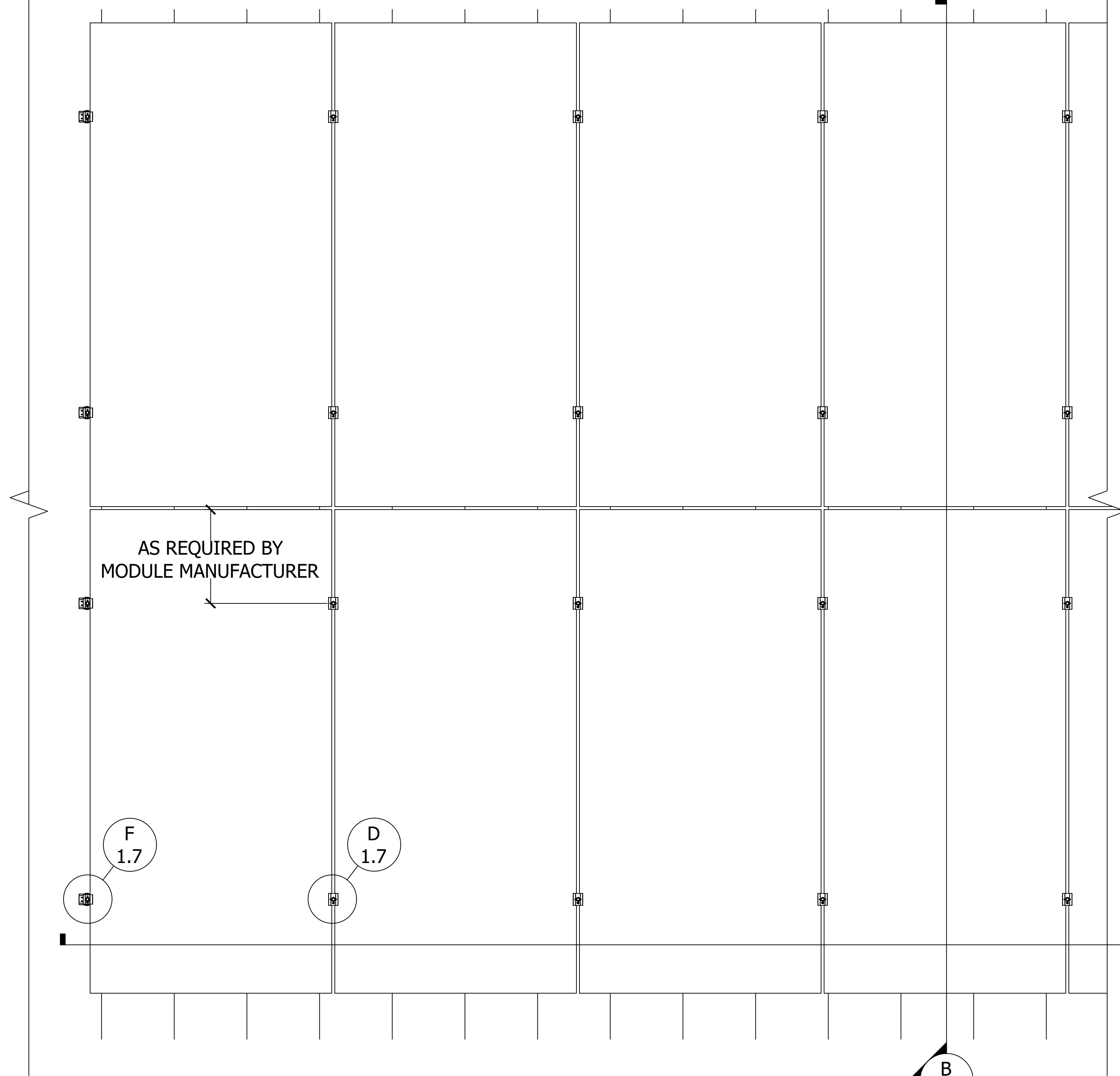
CLIENT NAME	ECOFASTEN
PROJECT NAME	SLOPED ROOF MOUNT SYSTEM
PROJECT ADDRESS	
SYSTEM KW DC	

WIND SPEED, MPH	-
SNOW LOAD, PSF	-
EXPOSURE CAT	-
RISK CAT	-
MODULE TYPE	-
MODULE W DC	-
MODULE QTY	-

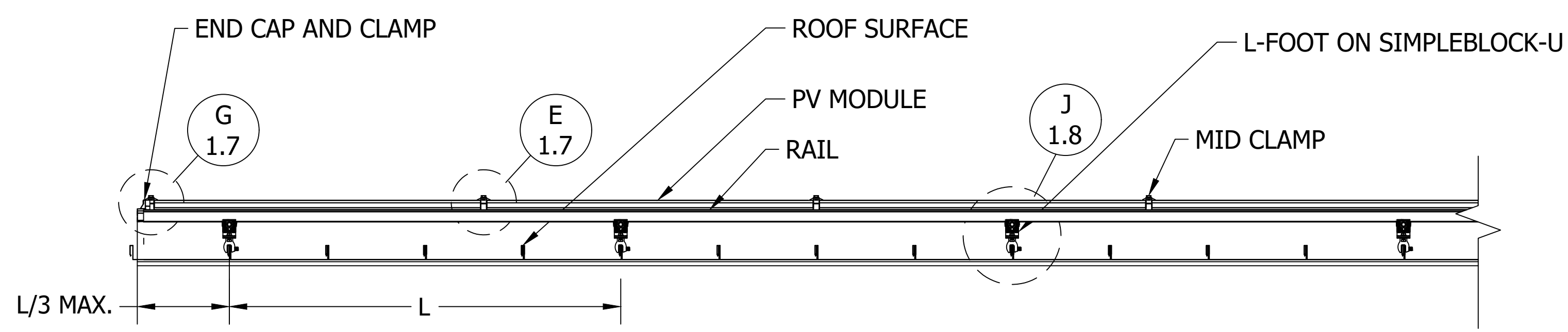


REV	DESCRIPTION	DATE

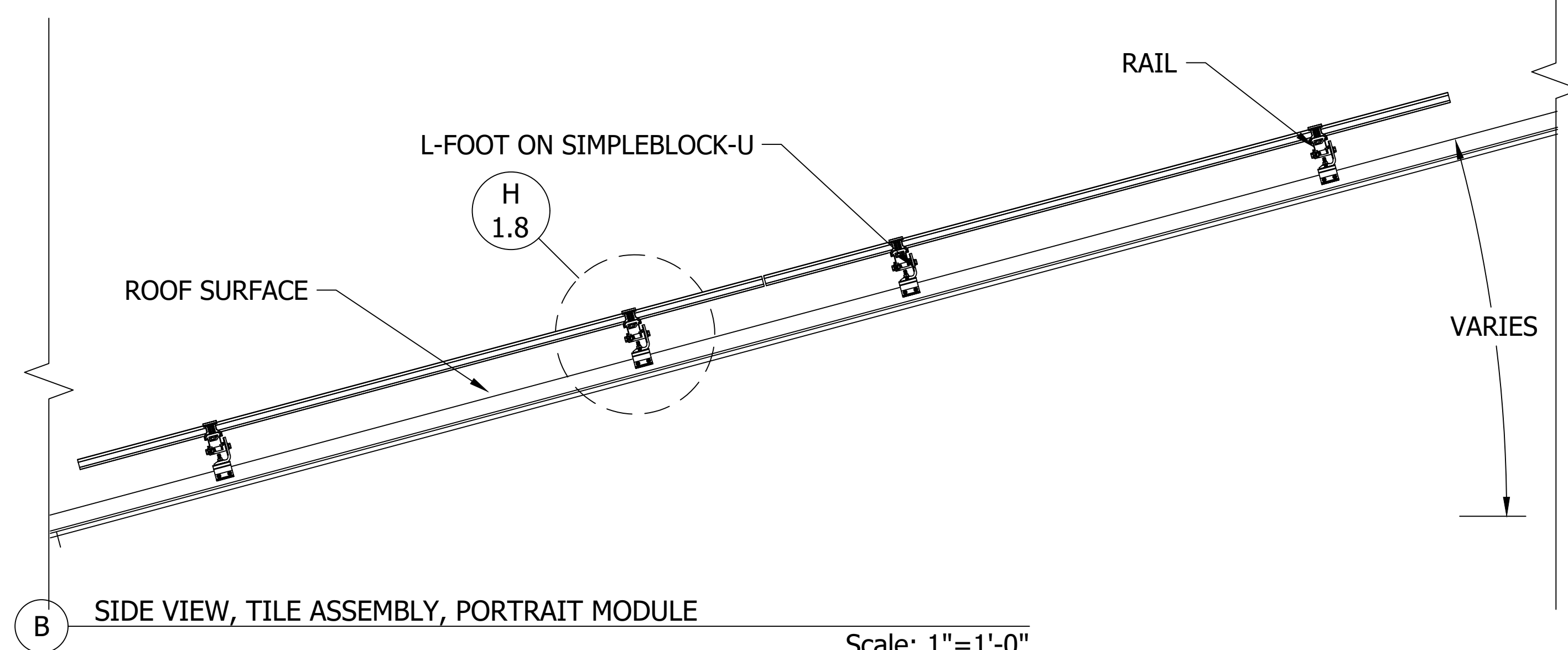
SHEET NAME	
SLOPED ROOF PV SYSTEM DETAILS:CF UNIV TILE HOOK DETAILS	
JOB NO.	3.1 SR
ISSUE DATE	SEP 2021
SHEET NO.	<b>ECO 1.6</b>
SHEET SIZE	24X36



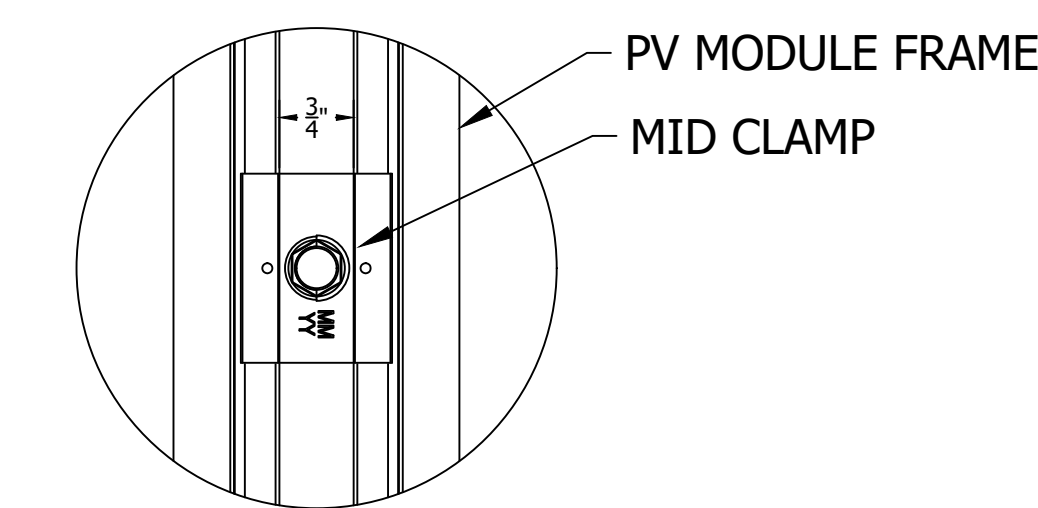
**A** PLAN VIEW, TILE ASSEMBLY, PORTRAIT MODULE  
Scale: 1"=1'-0"



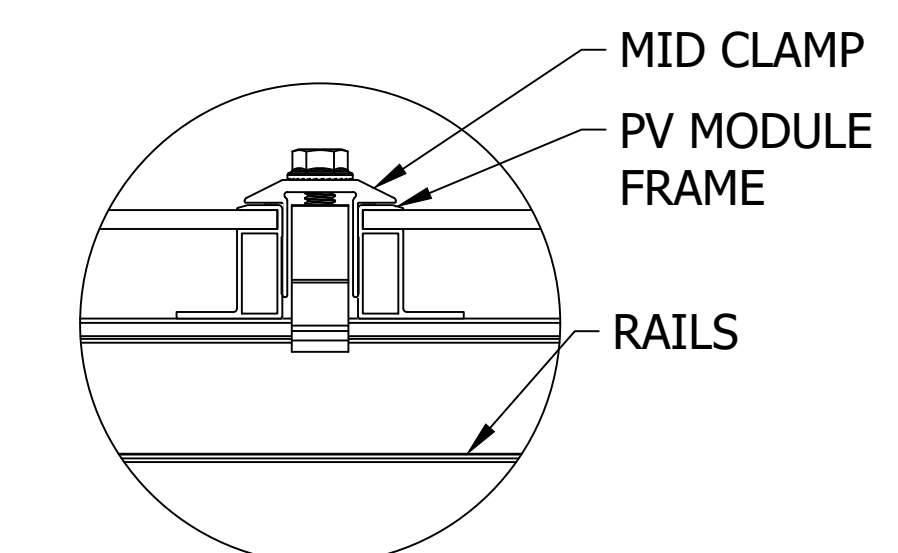
**C** FRONT VIEW, TILE ASSEMBLY, PORTRAIT MODULE  
Scale: 1"=1'-0"



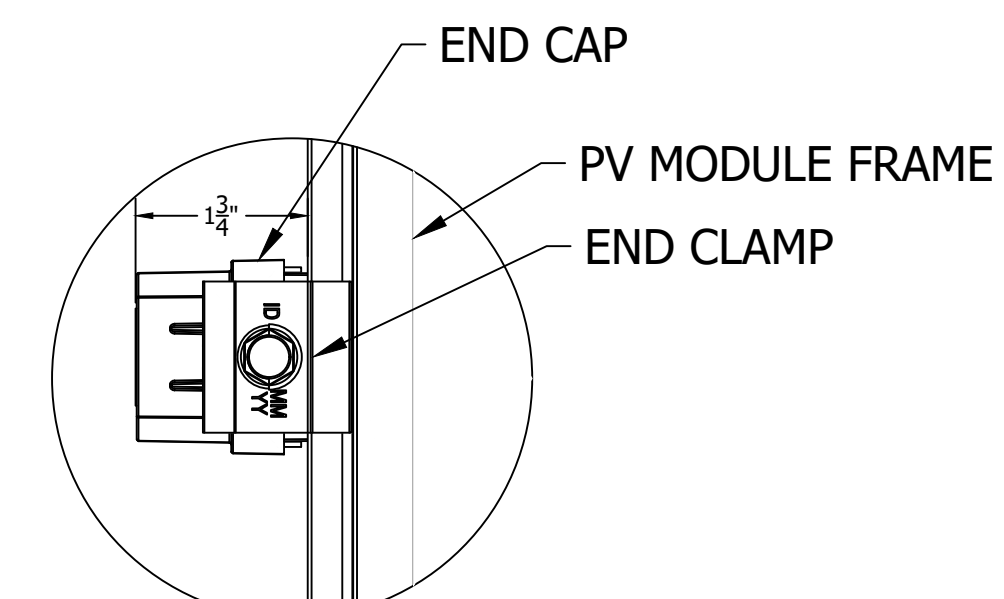
**B** SIDE VIEW, TILE ASSEMBLY, PORTRAIT MODULE  
Scale: 1"=1'-0"



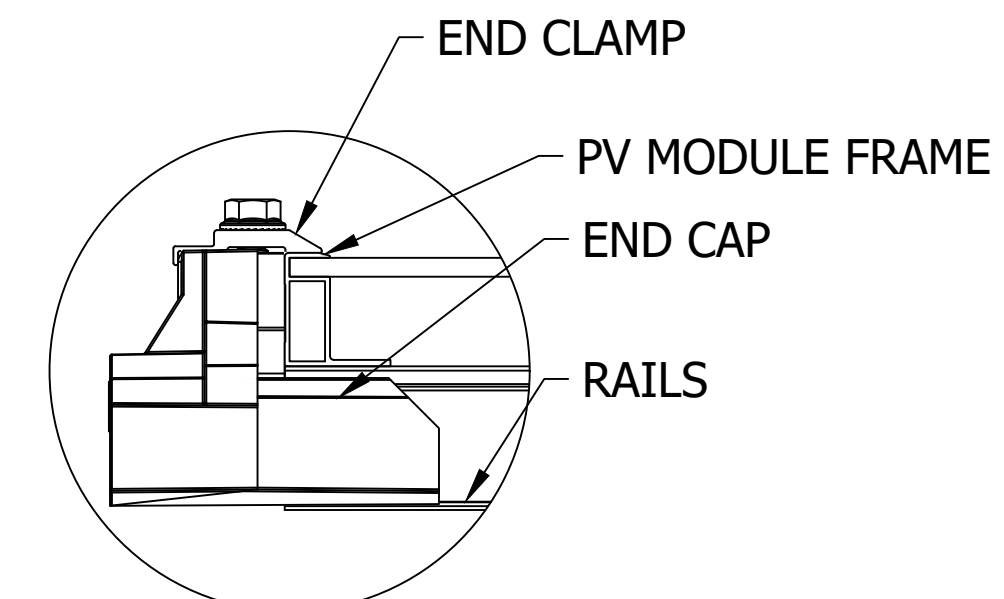
**D** DETAIL, MID CLAMP PLAN  
Scale: 6"=1'-0"



**E** DETAIL, MID CLAMP FRONT  
Scale: 6"=1'-0"



**F** DETAIL, END CAP AND CLAMP PLAN  
Scale: 6"=1'-0"



**G** DETAIL, END CAP AND CLAMP FRONT  
Scale: 6"=1'-0"

CLIENT NAME	ECOFASTEN
PROJECT NAME	SLOPED ROOF MOUNT SYSTEM
PROJECT ADDRESS	
SYSTEM KW/DC	

WIND SPEED, MPH	
SNOW LOAD, PSF	
EXPOSURE CAT	
RISK CAT	
MODULE TYPE	
MODULE W/DC	
MODULE QTY	

APPROVAL STATUS

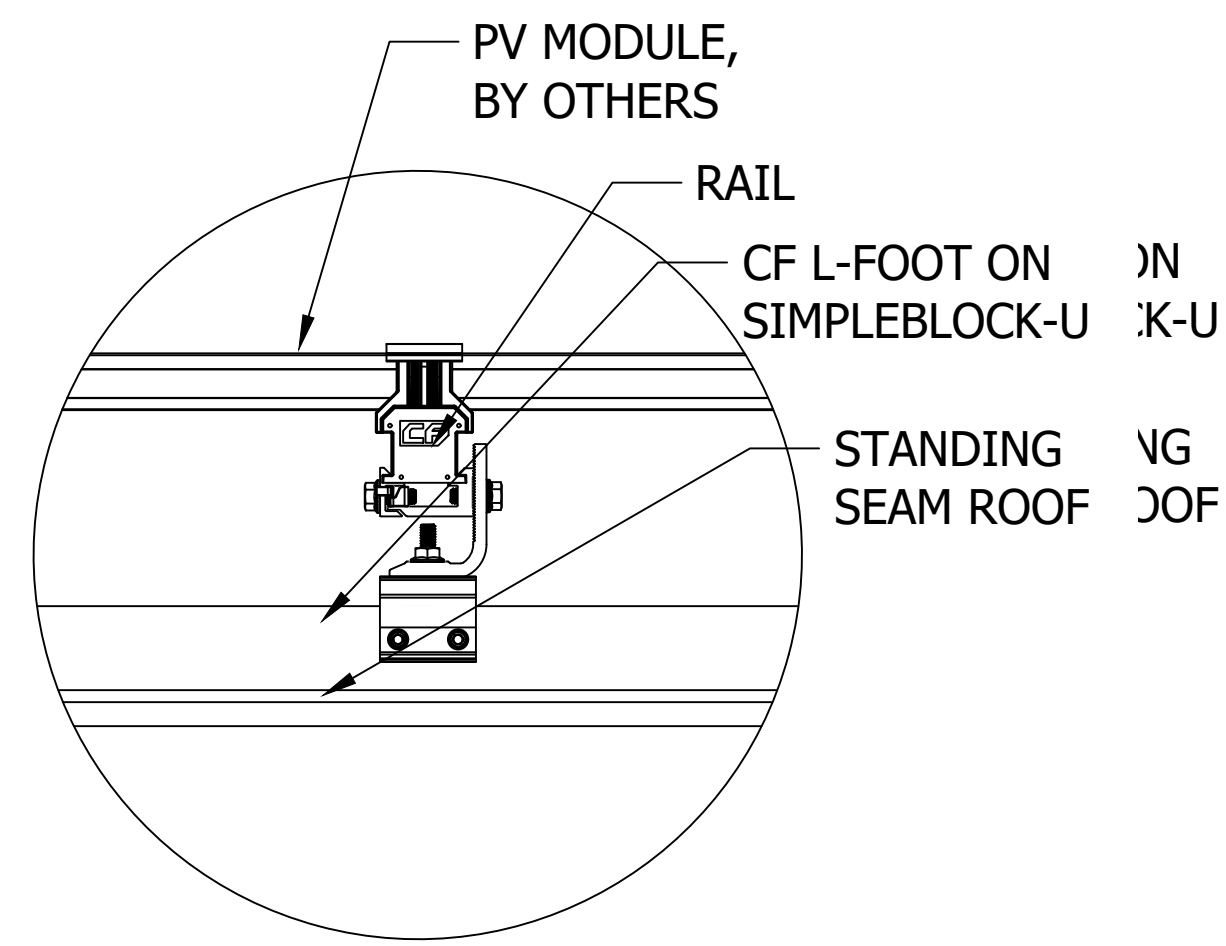
**NOT FOR CONSTRUCTION**

REV	DESCRIPTION	DATE

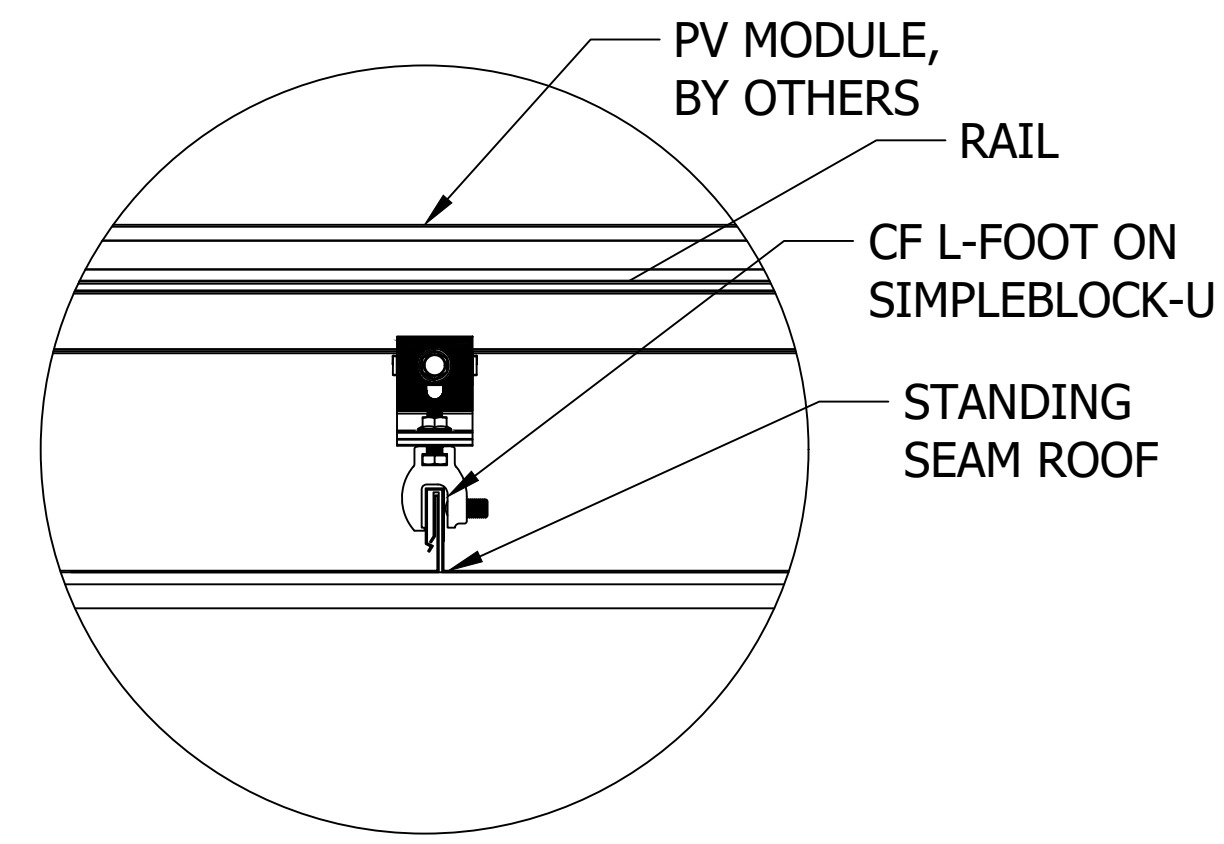
SHEET NAME

**SLOPED ROOF PV SYSTEM DETAILS:CF ON SIMPLEBLOCK-U ASSEMBLY - PORTRAIT**

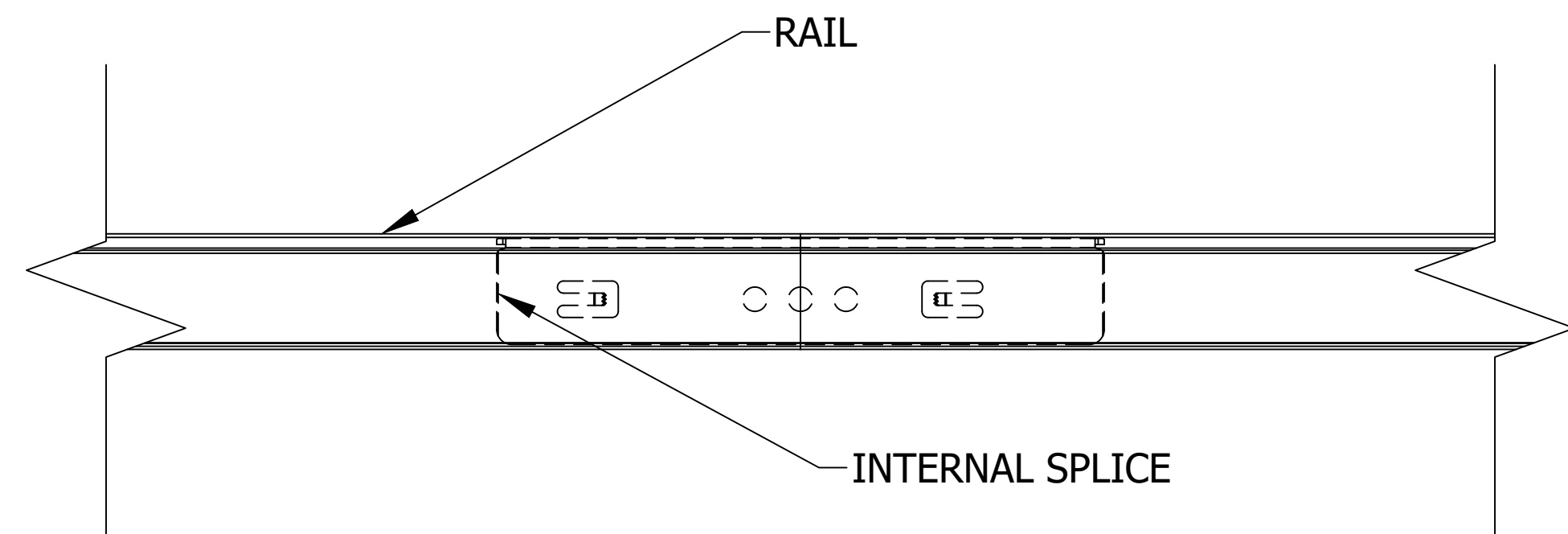
JOB NO.	1.1 SR
ISSUE DATE	SEP 2021
SHEET NO.	<b>ECO 1.7</b>
SHEET SIZE	24X36



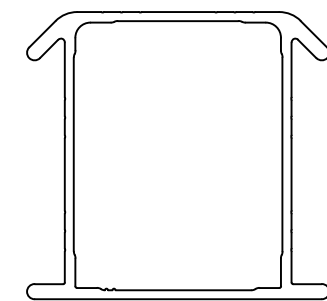
H CF ON SIMPLEBLOCK-U HOOK DETAIL SIDE  
Scale: 3"=1'-0"



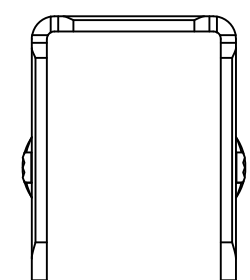
J CF ON SIMPLEBLOCK-U DETAIL FRONT  
Scale: 3"=1'-0"



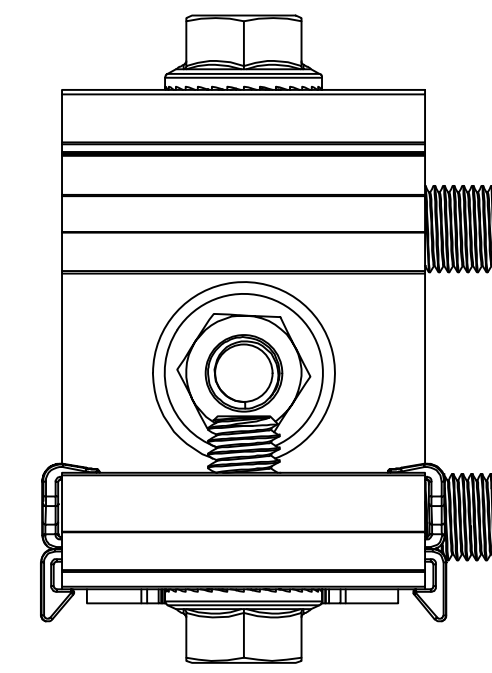
K DETAIL, SPLICE CONNECTION  
6"=1'-0"



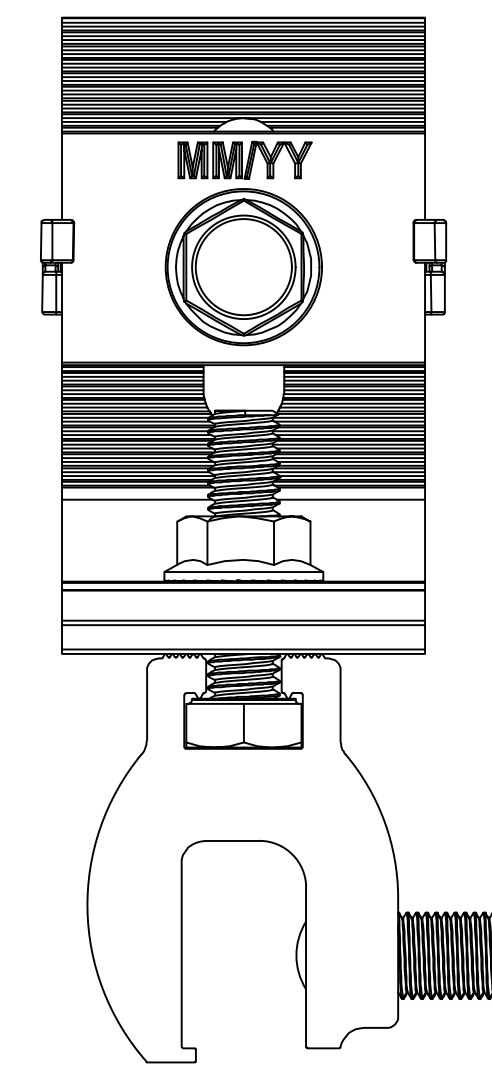
L DETAIL, RAIL  
1'-0"=1'-0"



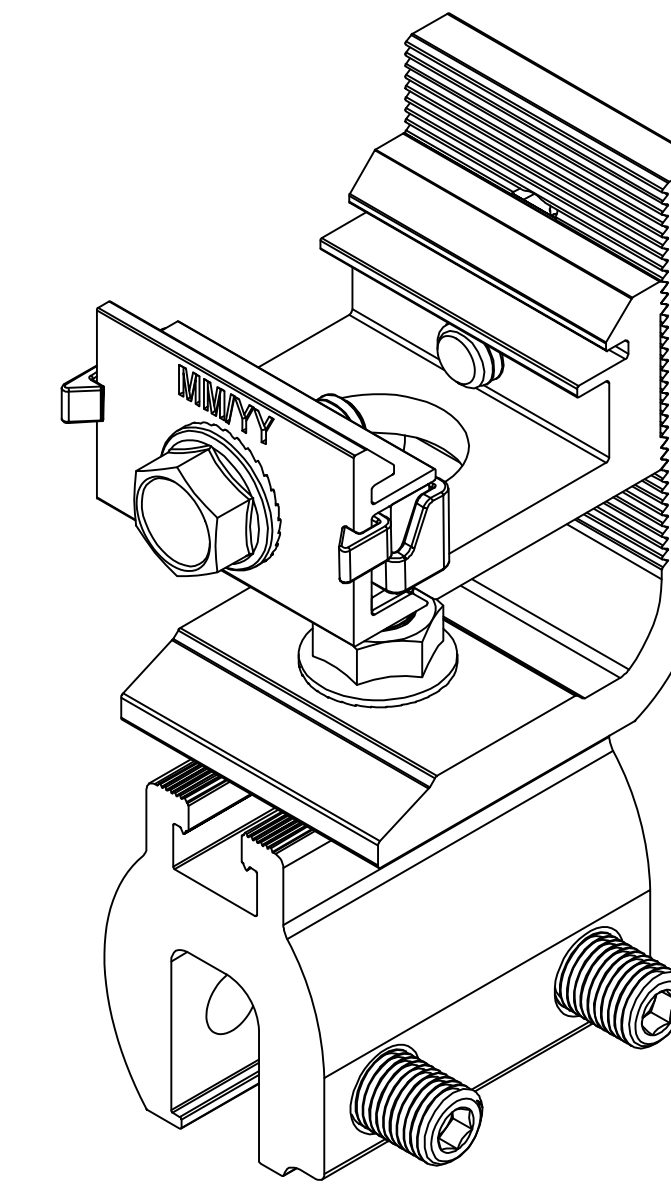
M DETAIL, SPLICE  
1'-0"=1'-0"



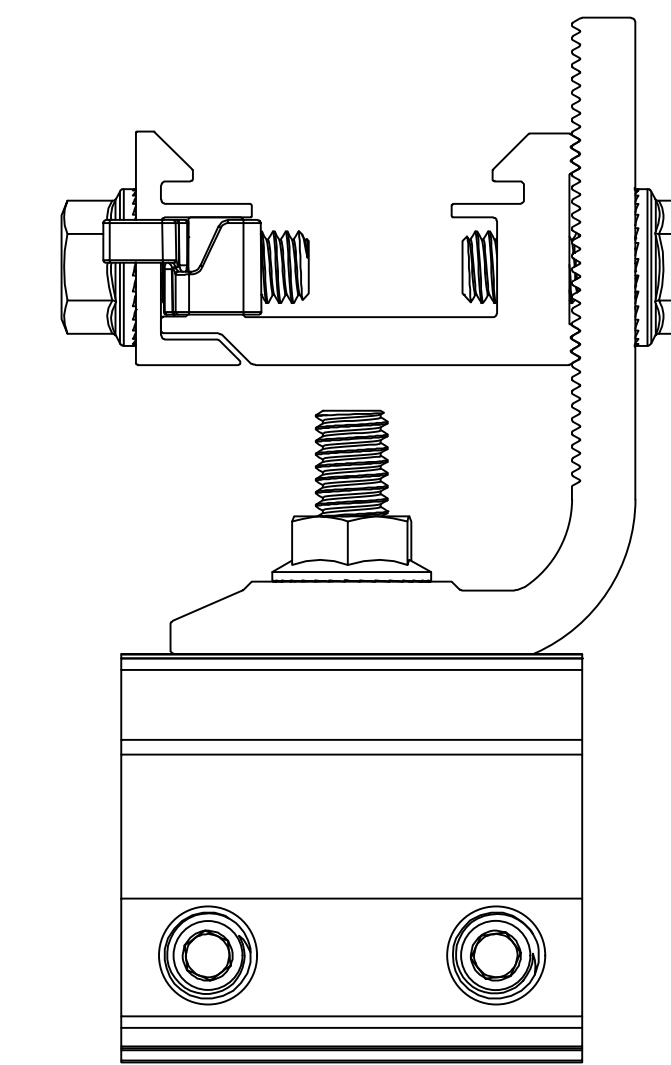
N ECOFASTEN CF ON SIMPLEBLOCK-U, TOP



P ECOFASTEN CF ON SIMPLEBLOCK-U, FRONT



O ECOFASTEN CF UNIV TILE HOOK, FRONT VIEW  
ECOFASTEN CF ON SIMPLEBLOCK-U, ISO



Q ECOFASTEN CF ON SIMPLEBLOCK-U, SIDE

CLIENT NAME	ECOFASTEN
PROJECT NAME	SLOPED ROOF MOUNT SYSTEM
PROJECT ADDRESS	
SYSTEM KW/DC	

WIND SPEED, MPH	-
SNOW LOAD, PSF	-
EXPOSURE CAT	-
RISK CAT	-
MODULE TYPE	-
MODULE W/DC	-
MODULE QTY	-

APPROVAL STATUS

NOT FOR CONSTRUCTION

REVISION HISTORY

REV	DESCRIPTION	DATE

SHEET NAME

**SLOPED ROOF PV SYSTEM  
DETAILS:CF ON  
SIMPLEBLOCK-U  
DETAILS**

JOB NO.	3.1 SR
ISSUE DATE	SEP 2021
SHEET NO.	<b>ECO 1.6</b>
SHEET SIZE	24X36