

ENSTALL US, INC. TEST REPORT

SCOPE OF WORK

UL 441 TESTING ON ECOFASTEN'S ROCKIT COMP SLIDE

REPORT NUMBER

105625071LAX-001a

ISSUE DATE

14-November-2023

PAGES

8

DOCUMENT CONTROL NUMBER

GFT-OP-10a (21-June-2019)

© 2019 INTERTEK



SUMMARY REPORT

14-November 2023

Intertek Report No. 105625071LAX-001a

Intertek Project No. G105625071

Jae Hendrickson
Enstall US, Inc.
28357 Industrial Blvd
Hayward, CA 94545
Email: jae.hendrickson@enstall.com

Ph: +1 415 335 5483

Subject: Project Summary of the Rain Testing per UL 441 on Ecofasten's Rockit Comp Slide.

Dear Mr. Jae Hendrickson

Intertek was contracted by Enstall US, Inc. to perform testing in general accordance with UL 441 on Ecofasten's Rockit Comp Slide. Results obtained are tested values and were secured by using the designated test method(s). Testing was conducted at Enstall's test facility at 28357 Industrial BLVD, Hayward, CA 94545.

This letter report represents the summary of our evaluation of the above referenced product(s).

UL 441, Safety for Gas Vents, Section 27: Rain Test

This work is authorized by Qu-01395002-2 dated October 21, 2023. This letter report does not constitute certification of this product or any opinion or endorsement by this laboratory. If there are any questions regarding the results contained in this report, or any of the other services offered by Intertek, please do not hesitate to contact your dedicated Intertek Project Manager. For more information, please refer to sections 1-5.

This report is for the exclusive use of Intertek's Client and is provided pursuant to the agreement between Intertek and its Client. Intertek's responsibility and liability are limited to the terms and conditions of the agreement. Intertek assumes no liability to any party, other than to the Client in accordance with the agreement, for any loss, expense or damage occasioned by the use of this report. Only the Client is authorized to permit copying or distribution of this report and then only in its entirety. Any use of the Intertek name or one of its marks for the sale or advertisement of the tested material, product or service must first be approved in writing by Intertek. The observations and test results in this report are relevant only to the sample tested. This report by itself does not imply that the material, product, or service is or has ever been under an Intertek certification program.

SUMMARY REPORT

SECTION 1

MATERIAL SOURCE/INSTALLATION

Test specimen(s) were provided by the client.

The specimen was installed onto a Spruce-Pine-Fir wood deck. The test deck measured 3' wide by 3' high and was constructed of #2 Spruce Pine Fir nominal 2x4 lumber. A sheet of nominal 7/16" thick plywood was secured to the studs with #8 x 1-5/8" roofing screws. The test deck was then covered with #15 felt paper and dimensional shingles.

Description/Installation (Rockit Comp Slide by Ecofasten): The test specimen composed of an approx. 2" wide by 4" long by 1.75" high aluminum roof attachment on top of an 8"x 12" flashing. The Rockit Comp Slide and flashing were installed directly onto the shingles, centered over a rafter, and secured with one 5/16-4" stainless steel hex lag screw with EPDM washer, through the attachment and flashing and into the rafter. The Roof Attachment was installed without roofing sealant.

Ecofasten Rockit Comp Slide Part Number covered by this test report is as follows:

Part Number	Description
2011013	RI COMP SLIDE AL BLK

SECTION 2

LIST OF OFFICIAL OBSERVERS

Name	Company
Jae Hendrickson	Enstall US, Inc.

SECTION 3

TEST RESULTS

The temperature during testing was 21°C (70°F) and the humidity was 61%. The results are tabulated as follows:

Test Specimen #1 (Rockit Comp Slide by Ecofasten):

Title Of Test	Results	Allowed	Note
Water Penetration. Per UL 441 - One hour of water spray	Pass	No leakage	1, 2

General Note: All testing was performed in accordance with the referenced standard(s).

Note 1: Tested at a 2:12 roof pitch.

Note 2: Test results are applicable for three tab and dimensional asphalt shingle roofs having a slope 2:12 or greater.

SUMMARY REPORT

SECTION 4
PHOTOGRAPHS



Photo No. 1
Unassembled Test Specimen



Photo No. 2
Test Specimen Under Test

SUMMARY REPORT



Photo No. 3
Test Specimen After Test



Photo No. 4
Underside of Test Desk After Test – no visible water penetration

SUMMARY REPORT

**SECTION 5
DRAWINGS**

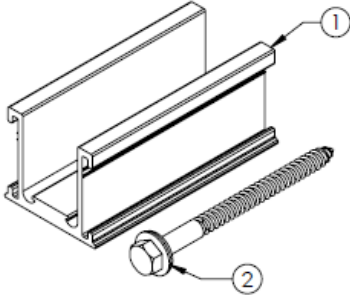
The test specimen drawings have been reviewed by Intertek and are representative of the test specimen(s) reported herein. Any deviations are documented herein or on the drawings.

PRODUCT CUT SHEET



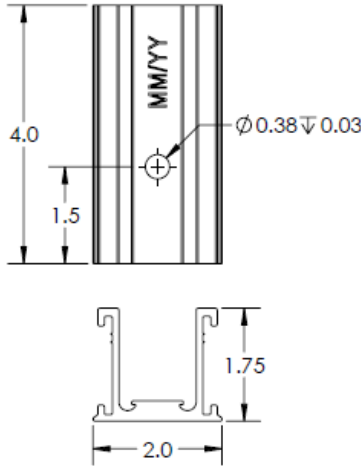
RI COMP SLIDE AL BLK

PART NUMBER	DESCRIPTION
2011013	RI COMP SLIDE AL BLK



ITEM NO.	DESCRIPTION
1	ROCKIT V3 SLIDECOMP
2	LAG SCREW, 5/16-4", THREAD 3", EPDM BACKED WASHER

1) ROCKIT V3 SLIDECOMP



Material	Aluminum
Finish	Black

REV.- CS1

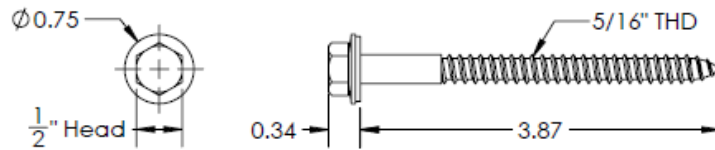


SUMMARY REPORT

PRODUCT CUT SHEET 

RI COMP SLIDE AL BLK


2) LAG SCREW, 5/16-4", THREAD 3", EPDM BACKED WASHER



Material	Stainless Steel
Finish	Mill

REV.- CS1

SUMMARY REPORT

Completed by:	Arian Jafari Mimandi	Reviewed by:	Kamerine Kroner
Title:	Engineer	Title:	Reviewer
Signature:		Signature	
Date	11/14/2023	Date:	11/25/2023

Please note: this Letter Report does not represent authorization for the use of any Intertek certification marks.